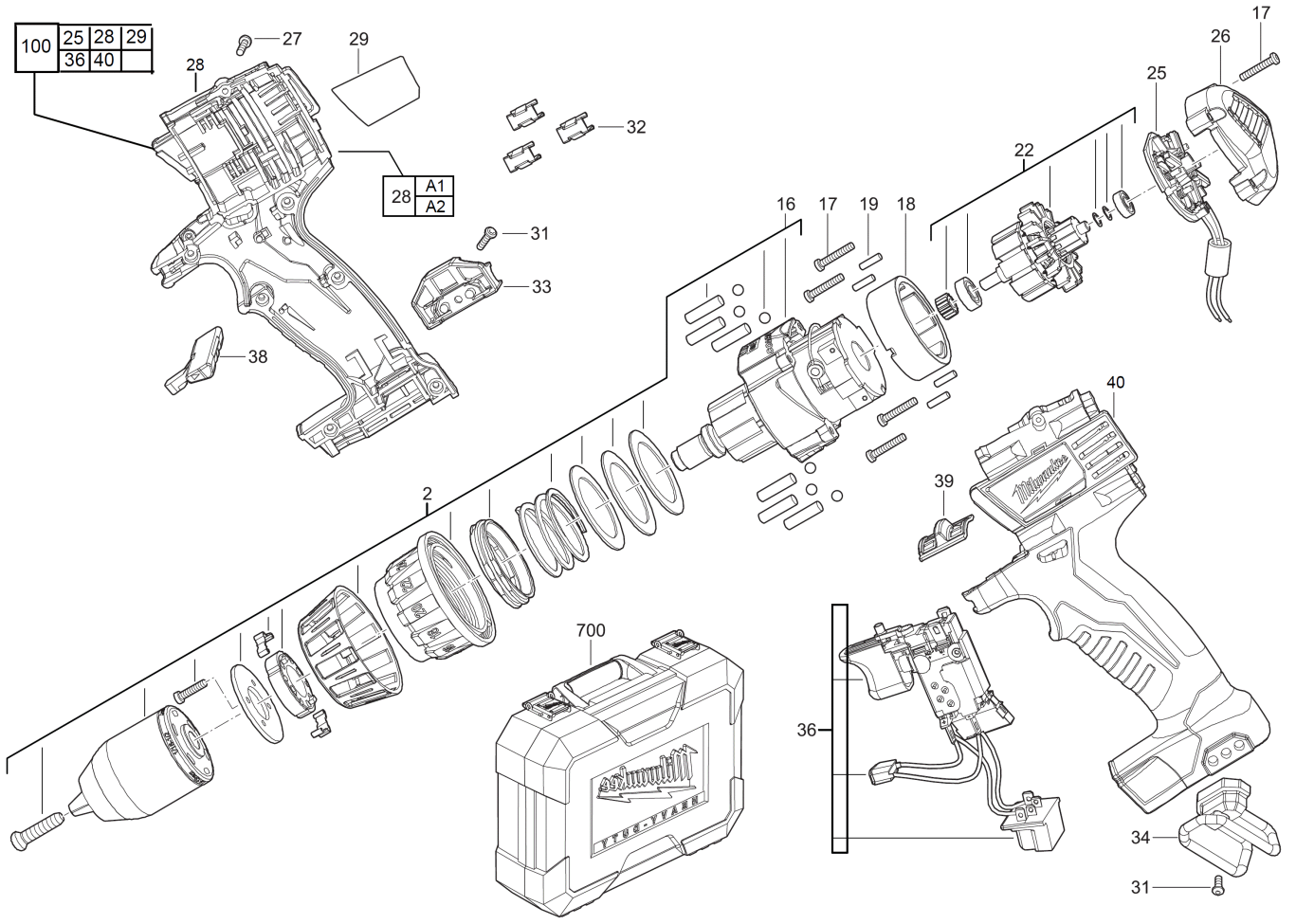


# C14DD-32C AKKU-BOHRSCHRAUBER IN2

4933416980 - C14DD-32C IN2 - 4000431522





| Position | Quantity | Description                             | Part number                   | EAN           |
|----------|----------|---|-------------------------------|---------------|
| 0002 1   | 1        | Getriebekasten                          | 200281030                     | 4002395829316 |
| 0016 2   | 1        | GETRIEBEKASTEN                          | Item discontinued(200273020)  |               |
| 0017 3   | 1        | SCHRAUBE                                | 660230009                     | 4002395823222 |
| 0018 4   | 1        | FELD F. ELEKTROMOTOR                    | 4931453519                    | 4002395143658 |
| 0019 5   | 1        | DAEMPUNGSELEMENT                        | 560135001                     | 4002395823154 |
| 0022 6   | 1        | ANKER F.ELEKTROMOTOR                    | 200216054                     | 4002395828876 |
| 0025 7   | 1        | KOHLEBUERSTE                            | 4931433300                    | 4002395899395 |
| 0026 8   | 1        | KAPPE                                   | 519219001                     | 4002395824250 |
| 0027 9   | 1        | SCHRAUBE                                | 660851001                     | 4002395823239 |
| 0028 10  | 1        | GEHAEUSEabdeckung                       | Item discontinued(4931433306) |               |
| 0029 11  | 1        | LEISTUNGSSCHILD                         | Item discontinued(4931433307) |               |
| 0031 12  | 1        | SCHRAUBE                                | 660820001                     | 4002395828920 |
| 0032 13  | 3        | Bithalter                               | Item discontinued(5131002001) |               |
| 0033 14  | 1        | BITHALTER                               | 516723001                     | 4002395828975 |
| 0034 15  | 1        | HAKEN                                   | 516724001                     | 4002395828968 |
| 0036 16  | 1        | EIN-/AUSSCHALTER                        | Item discontinued(200300046)  |               |
| 0038 17  | 1        | UMSCHALTHEBEL                           | 519221001                     | 4002395824267 |
| 0039 18  | 1        | UMSCHALTER                              | 340217001                     | 4002395824359 |
| 0040 19  | 1        | GEHAEUSE                                | Item discontinued(4931433314) |               |
| 0100 20  | 1        | GEHAEUSE + SCHALTER                     | 4931448746                    | 4002395257256 |
| 0700 21  | 1        | TRANSPORTKOFFER                         | Item discontinued(200230017)  |               |
| 22       | 1        | M14BX LI-ION AKKUMULATOR RED 3.0 AH XXX | Item discontinued(4932352666) |               |