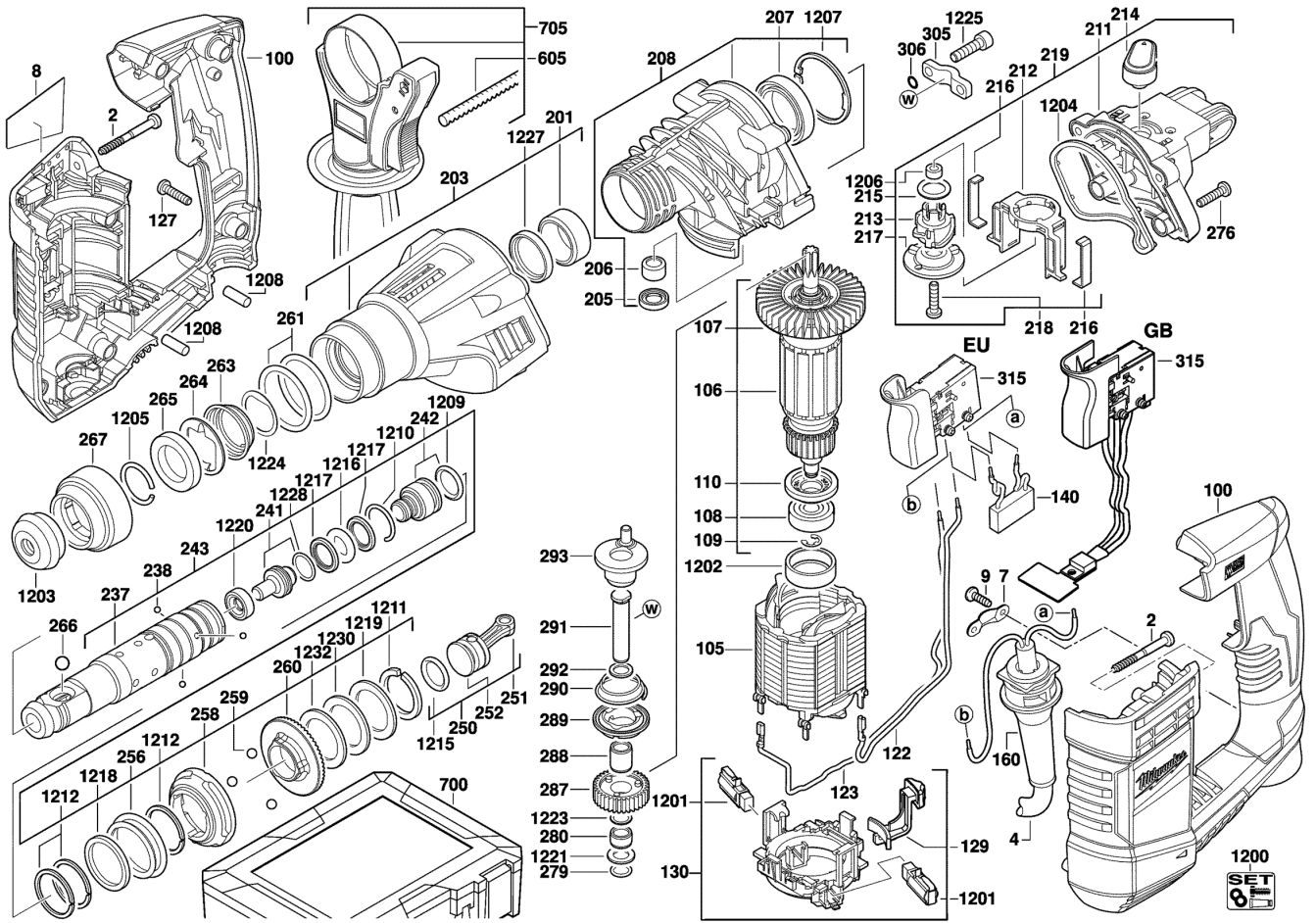


PLH20"K/110V RT -60HZ

4933432110 - PLH20 - 4000432111





| Position | Quantity | Description | Part number | EAN |
|----------|----------|----------------------|-------------------------------|---------------|
| 0002 1 | 2 | SCHRAUBE | 4931408155 | 4002395828623 |
| 0004 2 | 1 | ANSCHLUSSLEITUNG | Item discontinued(4931624057) | |
| 0007 3 | 1 | KABELSCHELLE | 4931256500 | 4002395586547 |
| 0009 4 | 2 | SCHRAUBE | 4931624538 | 4002395760039 |
| 0100 5 | 1 | GEHAEUSE | 4931408075 | 4002395791989 |
| 0105 6 | 1 | FELD F. ELEKTROMOTOR | Item discontinued(4931426187) | |
| 0106 7 | 1 | ANKER 110-120V 32X40 | 4931426491 | 4002395843473 |
| 0107 8 | 1 | VENTILATOR | 4931408165 | 4002395834112 |
| 0108 9 | 1 | KUGELLAGER | 4931624662 | 4002395790890 |
| 0109 10 | 1 | SCHEIBE | 4931621834 | 4002395696185 |
| 0110 11 | 1 | ISOLIERSCHEIBE | 4931387434 | 4002395788552 |
| 0122 12 | 1 | LEITUNG | 4931624675 | 4002395791651 |
| 0123 13 | 1 | LEITUNG | 4931624676 | 4002395791668 |
| 0127 14 | 8 | SCHRAUBE | 4931624515 | 4002395757367 |
| 0129 15 | 1 | HEBEL | 4931408069 | 4002395832729 |
| 0160 16 | 1 | KABELSCHUTZSCHLAUCH | 4931393422 | 4002395752836 |
| 0201 17 | 1 | NADELHUELSE | Item discontinued(4931624705) | |
| 0203 18 | 1 | GETRIEBEKASTENISOL. | 4931408144 | 4002395827367 |
| 0205 19 | 1 | DICHTRING | 4931624655 | 4002395789849 |
| 0206 20 | 1 | NADELLAGER | 4931219424 | 4002395583874 |
| 0207 21 | 1 | KUGELLAGER | 4931408051 | 4002395792092 |
| 0208 22 | 1 | GETRIEBEKASTEN | 4931408078 | 4002395832330 |
| 0211 23 | 1 | GEHAEUSEDECKEL | 4931408065 | 4002395791996 |
| 0212 24 | 1 | SCHALTHEBEL | 4931408090 | 4002395792931 |
| 0213 25 | 1 | ZAPFEN | 4931408093 | 4002395792955 |
| 0214 26 | 1 | UMSCHALTER | Item discontinued(4931408092) | |
| 0215 27 | 1 | O-RING | 4931624699 | 4002395814480 |
| 0216 28 | 2 | SCHALTERBLECH | 4931408111 | 4002395798230 |
| 0217 29 | 1 | SCHEIBE | 4931408166 | 4002395835508 |
| 0219 30 | 1 | GETRIEBEDECKEL | 4931408087 | 4002395832347 |
| 0237 31 | 1 | SPINDELHUELSE | 4931408019 | 4002395832309 |
| 0238 32 | 3 | KUGEL | 4931944281 | 4002395707140 |
| 0241 33 | 1 | DOEPFER | 4931408045 | 4002395832316 |
| 0242 34 | 1 | SCHLAGKOERPER | 4931408046 | 4002395832323 |
| 0243 35 | 1 | SPINDELHUELSE | Item discontinued(4931408019) | |
| 0250 36 | 1 | KOLBEN KOMPLETT | 4931408047 | 4002395792078 |
| 0251 37 | 1 | PLEUEL | 4931408168 | 4002395834952 |
| 0252 38 | 1 | KOLBEN | 4931408167 | 4002395835218 |
| 0256 39 | 1 | FEDER | 4931408011 | 4002395792108 |
| 0258 40 | 1 | KUPPLUNGSSCHEIBE | 4931408113 | 4002395798254 |
| 0259 41 | 3 | KUGEL | 4931805413 | 4002395706020 |
| 0260 42 | 1 | GETRIEBERAD | 4931408025 | 4002395792085 |
| 0261 43 | 2 | RING | Item discontinued(4931624711) | |
| 0263 44 | 1 | DRUCKFEDER | 4931343128 | 4002395629466 |
| 0264 45 | 1 | STUETZBLECH | 4931343127 | 4002395629459 |
| 0265 46 | 1 | HALTERING | 4931396449 | 4002395776573 |
| 0266 47 | 1 | KUGEL | 4931911572 | 4002395706457 |
| 0267 48 | 1 | HUELSE | 4931387436 | 4002395788620 |
| 0276 49 | 4 | SCHRAUBE | 4931624679 | 4002395794317 |
| 0279 50 | 1 | O-RING | 4931624712 | 4002395826575 |

| Position | Quantity | Description | Part number | EAN |
|----------|----------|-------------------|-------------------------------|---------------|
| 0280 51 | 1 | NADELKRANZ | 4931408082 | 4002395798209 |
| 0287 52 | 1 | ZAHNRAD | 4931408140 | 4002395822430 |
| 0288 53 | 1 | NADELKRANZ | 4931943531 | 4002395707072 |
| 0289 54 | 1 | SCHALTRING | 4931408032 | 4002395791835 |
| 0290 55 | 1 | FEDER | 4931408030 | 4002395792061 |
| 0291 56 | 1 | LAGERBOLZEN | 4931408169 | 4002395833832 |
| 0292 57 | 1 | SCHEIBE | 4931408101 | 4002395794454 |
| 0293 58 | 1 | EXZENTERACHSE | 4931408028 | 4002395791903 |
| 0305 59 | 1 | KLEMMSTUECK | 4931408145 | 4002395824717 |
| 0306 60 | 1 | SCHEIBE | 4931408173 | 4002395836307 |
| 0315 61 | 1 | STEUERSCHALTER | 4931408097 | 4002395798902 |
| 0605 62 | 1 | TIEFENANSCHLAG | 4931384434 | 4002395719402 |
| 0705 63 | 1 | ZUSATZHANDGRIFF | 4931417907 | 4002395846375 |
| 1200 64 | 1 | WARTUNGSSET | Item discontinued(4931408160) | |
| 1201 65 | 1 | KOHLEBUERSTEN-SET | 4931408148 | 4002395892075 |
| 1202 66 | 1 | GUMMIBUCHSE | 4931254368 | 4002395586370 |
| 1203 67 | 1 | KAPPE | 4931343123 | 4002395629435 |
| 1204 68 | 1 | DICHTUNG | 4931408043 | 4002395791880 |
| 1205 69 | 1 | SPRENGRING | 4931623220 | 4002395701063 |
| 1206 70 | 1 | FILZ | 4931408143 | 4002395822607 |
| 1207 71 | 1 | SICHERUNGSRING | 4931624683 | 4002395794478 |
| 1208 72 | 2 | NIEDERHALTER | 4931408164 | 4002395831913 |
| 1209 73 | 1 | RING | 4931408022 | 4002395792894 |
| 1210 74 | 1 | RING | Item discontinued(4931408088) | |
| 1211 75 | 1 | RING | 4931408156 | 4002395828630 |
| 1212 76 | 3 | SICHERUNGSRING | 4931624709 | 4002395823147 |
| 1215 77 | 1 | DICHTRING | 561994001 | 4002395854943 |
| 1216 78 | 1 | FANGRING | 4931408020 | 4002395791910 |
| 1217 79 | 2 | FANGRING | 4931408018 | 4002395791927 |
| 1218 80 | 1 | DRUCKSCHEIBE | 4931408162 | 4002395829040 |
| 1219 81 | 1 | DISTANZSCHEIBE | 4931408176 | 4002395845156 |
| 1220 82 | 1 | BREMSRING | 4931408015 | 4002395791859 |
| 1221 83 | 1 | LAGERSCHEIBE | 4931408073 | 4002395794423 |
| 1223 84 | 1 | SCHEIBE | 4931408129 | 4002395822423 |
| 1224 85 | 1 | DRUCKSCHEIBE | 4931408142 | 4002395822409 |
| 1225 86 | 2 | SCHRAUBE M5x25 | 4931624717 | 4002395832200 |
| 1227 87 | 1 | DICHTRING | 4931624704 | 4002395815197 |
| 1228 88 | 1 | O-RING | 4931408021 | 4002395792559 |
| 1230 89 | 1 | DISTANZSCHEIBE | 4931408153 | 4002395827930 |
| 1232 90 | 1 | DISTANZSCHEIBE | 4931408171 | 4002395834785 |