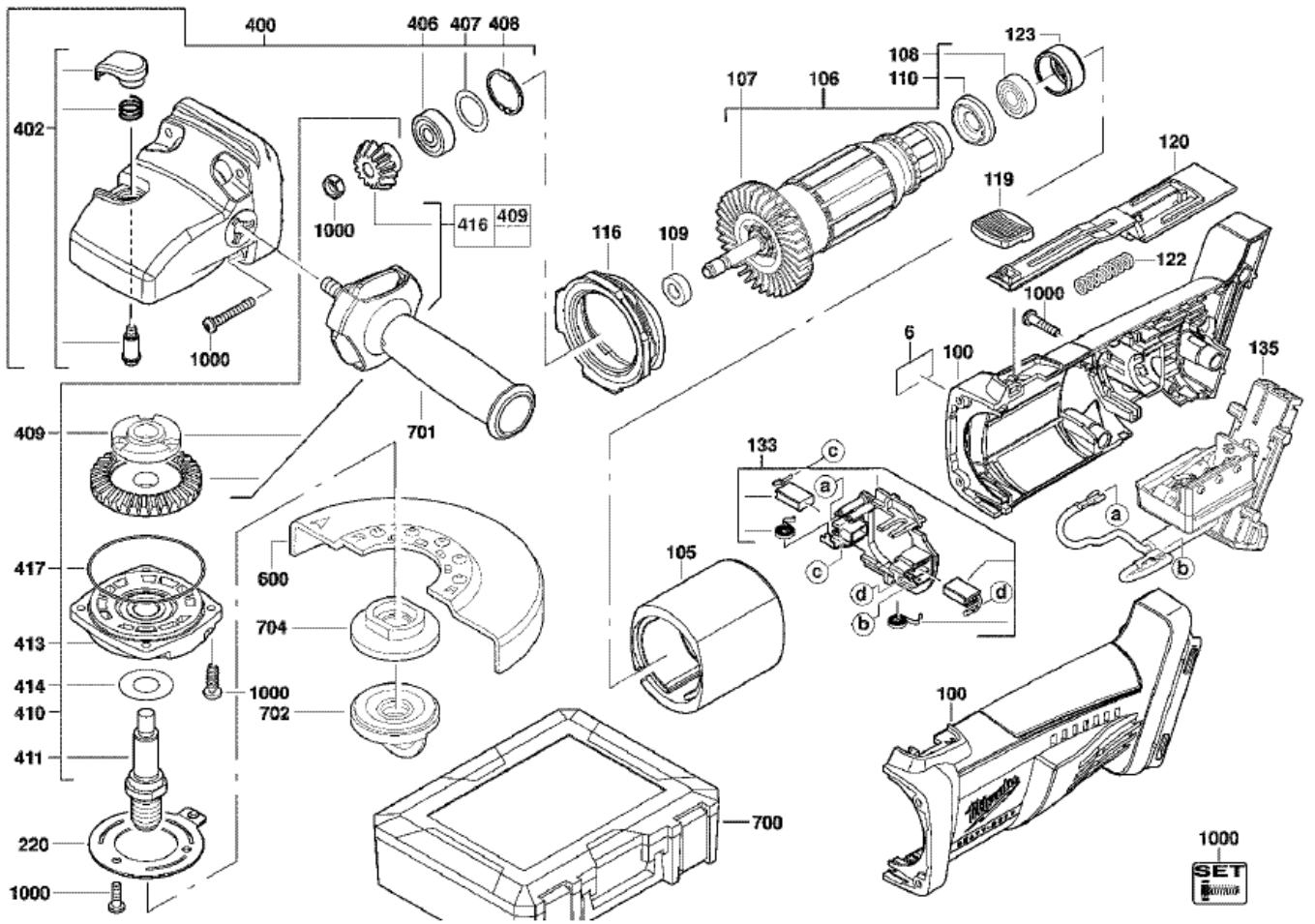


HD28AG125-0X AKKU-WINKELSCHLEIFER XXX

4933432225 - HD28AG125-0X - 4000432236



| Position | Quantity | Description | Part number | EAN |
|----------|----------|-----------------------------------|-------------------------------|---------------|
| 0006 1 | 1 | LEISTUNGSSCHILD | 4931432237 | 4002395896011 |
| 0100 2 | 1 | GEHAEUSE | 4931407225 | 4002395788996 |
| 0105 3 | 1 | FELD F. ELEKTROMOTOR | 4931392390 | 4002395738809 |
| 0106 4 | 1 | UMBAUSATZ | 4931395090 | 4002395829019 |
| 0107 5 | 1 | VENTILATOR | 4931342793 | 4002395628544 |
| 0108 6 | 1 | KUGELLAGER | 4931624661 | 4002395790906 |
| 0109 7 | 1 | DISTANZHUELSE | Item discontinued(4931395098) | |
| 0110 8 | 1 | ISOLIERSCHEIBE | 4931392383 | 4002395747405 |
| 0116 9 | 1 | LUFTFUEHRUNGSRING | 4931401686 | 4002395765898 |
| 0119 10 | 1 | SCHIEBER | 4931401676 | 4002395765874 |
| 0120 11 | 1 | SCHALTHEBEL | 4931401755 | 4002395780600 |
| 0122 12 | 1 | DRUCKFEDER | 4931327696 | 4002395608942 |
| 0123 13 | 1 | GUMMIBUCHSE | 4931351729 | 4002395640553 |
| 0133 14 | 1 | BUERSTENHALTER | 290627001 | 4002395850600 |
| 0135 15 | 1 | ELEKTRONIK | 4931381797 | 4002395858170 |
| 0220 16 | 1 | FEDERSCHEIBE | 4931345965 | 4002395633623 |
| 0400 17 | 1 | GETRIEBEKASTEN | 4931407748 | 4002395812806 |
| 0402 18 | 1 | ARRETIERUNG . | 4931358685 | 4002395652471 |
| 0406 19 | 1 | KUGELLAGER | 4931624662 | 4002395790890 |
| 0407 20 | 1 | AUSGLEICHSSCHEIBE | 4931803914 | 4002395705856 |
| 0408 21 | 1 | SICHERUNGSRING | 4931613683 | 4002395694181 |
| 0409 22 | 1 | ARRETIERSCHEIBE | 4931401692 | 4002395766666 |
| 0410 23 | 1 | ANTRIEB | 4931409593 | 4002395826247 |
| 0411 24 | 1 | SPINDEL | 4931409808 | 4002395837168 |
| 0413 25 | 1 | LAGERSCHILD | 4931378310 | 4002395683789 |
| 0414 26 | 1 | SCHEIBE | 4931623480 | 4002395702398 |
| 0416 27 | 1 | KEGELRADPAAR | 4931409564 | 4002395826223 |
| 0417 28 | 1 | DICHTRING | 4931623590 | 4002395702992 |
| 0600 29 | 1 | SCHUTZHAUBE 125 SW | 4931407642 | 4002395798834 |
| 0700 30 | 1 | TRANSPORTKOFFER | 4932378986 | 4002395349401 |
| 0701 31 | 1 | HANDGRIFF | 4931398507 | 4002395768486 |
| 0702 32 | 1 | FIXTEC MUTTER AEG M14 SNP | 4932358225 | 4002395325528 |
| 0704 33 | 1 | SPANNFLANSCH FUeR WINKELSCHLEIFER | 4932449324 | 4002395245185 |
| 1000 34 | 1 | VERBINDUNGSSET | 4931401695 | 4002395766499 |