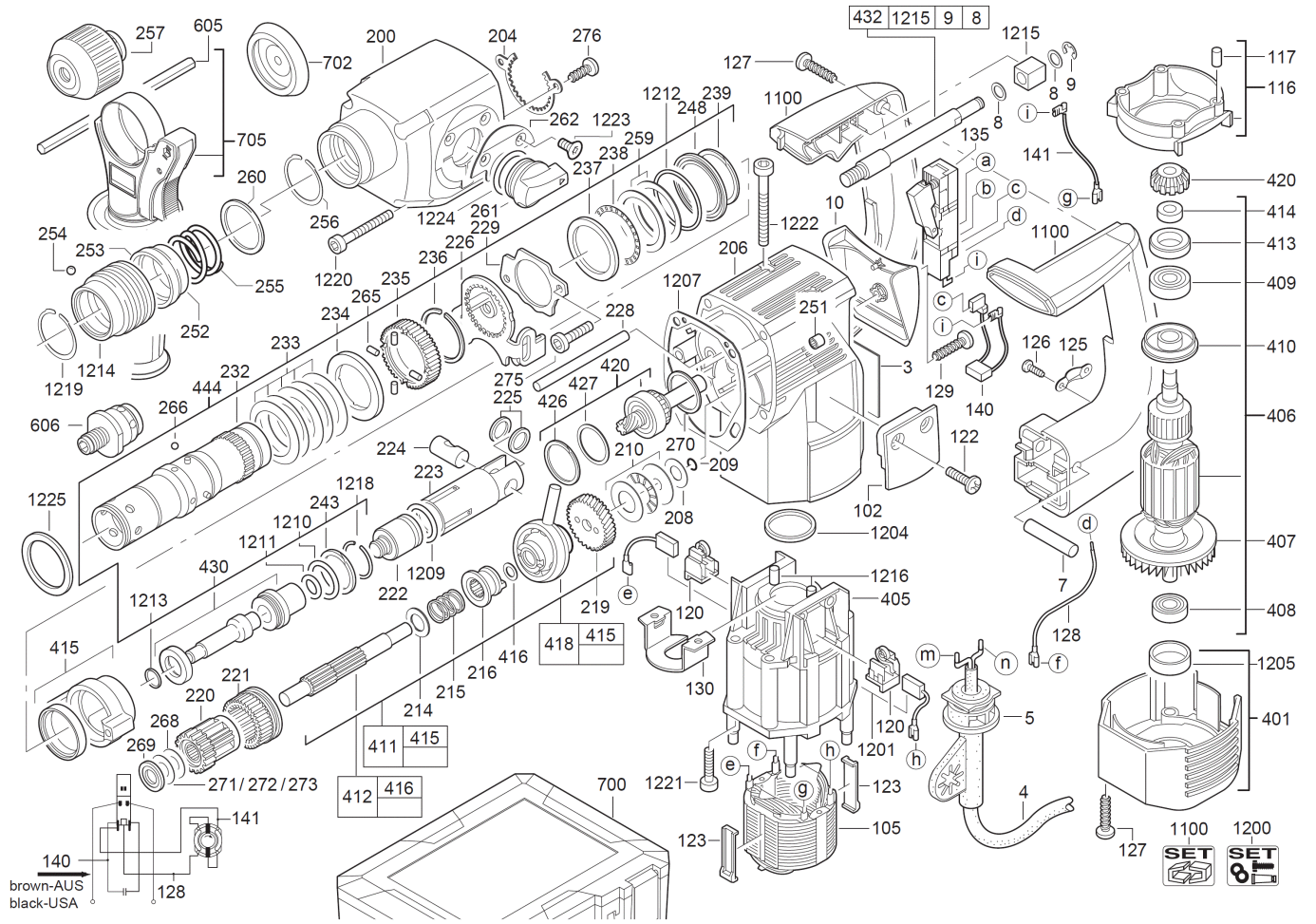


PLH32XE BOHRHAMMER IN2

4933400062 - PLH32XE - 4000432294





| Position | Quantity | Description | Part number | EAN |
|----------|----------|----------------------|-------------------------------|---------------|
| 0003 1 | 1 | LEISTUNGSSCHILD | Item discontinued(4931432298) | |
| 0004 2 | 1 | ANSCHLUSSLEITUNG | 4931250832 | 4002395586042 |
| 0005 3 | 1 | KABELSCHUTZSCHLAUCH | 4931392174 | 4002395772872 |
| 0007 4 | 1 | KERBSTIFT | 4931623456 | 4002395702251 |
| 0008 5 | 2 | SCHEIBE | 4931623094 | 4002395700370 |
| 0009 6 | 1 | SCHEIBE | 4931621834 | 4002395696185 |
| 0010 7 | 1 | GETRIEBEDECKEL | 4931360377 | 4002395655694 |
| 0102 8 | 2 | ABDECKUNG 32 SW | 4931379134 | 4002395685899 |
| 0105 9 | 1 | FELD F. ELEKTROMOTOR | 4931442731 | 4002395883929 |
| 0116 10 | 1 | LUFTFUEHRUNGSRING | 4931353230 | 4002395641390 |
| 0117 11 | 4 | NIEDERHALTER | 4931405705 | 4002395799831 |
| 0120 12 | 2 | BUERSTENHALTER | 4931382268 | 4002395690961 |
| 0122 13 | 4 | SCHRAUBE | 4931624518 | 4002395757398 |
| 0123 14 | 2 | ZENTRIERLEISTE | 4931342808 | 4002395628612 |
| 0125 15 | 1 | KABELSCHELLE | 4931256500 | 4002395586547 |
| 0126 16 | 2 | KABELSCHELLE | 4931256500 | 4002395586547 |
| 0127 17 | 7 | SCHRAUBE | 4931624515 | 4002395757367 |
| 0128 18 | 1 | LEITUNG | 4931623541 | 4002395702756 |
| 0129 19 | 1 | SCHRAUBE | 4931622153 | 4002395696901 |
| 0130 20 | 1 | LAGERDECKEL | 4931356869 | 4002395648214 |
| 0135 21 | 1 | STEUERSCHALTER KOMP | 4931384896 | 4002395726554 |
| 0140 22 | 1 | KONDENSATOR | 4931624270 | 4002395725977 |
| 0141 23 | 1 | LEITUNG | 4931624269 | 4002395725991 |
| 0200 24 | 1 | GETRIEBEKASTEN | 4931384040 | 4002395712496 |
| 0204 25 | 1 | SPERRRING | 4931331685 | 4002395613632 |
| 0206 26 | 1 | GETRIEBEKASTEN | 4931382948 | 4002395711109 |
| 0208 27 | 1 | SCHEIBE | 4931623637 | 4002395703159 |
| 0209 28 | 1 | O-RING | 4931941082 | 4002395706945 |
| 0210 29 | 1 | AXIALLAGER | 4931360041 | 4002395654970 |
| 0214 30 | 1 | SCHEIBE | 4931621983 | 4002395696536 |
| 0215 31 | 1 | DRUCKFEDER | 4931379589 | 4002395687008 |
| 0216 32 | 1 | KUPPLUNGSHUELSE | 4931379649 | 4002395687183 |
| 0219 33 | 1 | VORGELEGERAD | 4931426234 | 4002395905829 |
| 0220 34 | 1 | PLANETENGETRIEBE | 4931384917 | 4002395731190 |
| 0221 35 | 1 | HOHLRAD | 4931331769 | 4002395613854 |
| 0222 36 | 1 | SCHLAGKOERPER | 4931455430 | 4002395176489 |
| 0223 37 | 1 | ZYLINDER | 4931379587 | 4002395686995 |
| 0224 38 | 1 | ZYLINDERBOLZEN | 4931331623 | 4002395613601 |
| 0225 39 | 2 | SCHEIBE | 4931400589 | 4002395765980 |
| 0226 40 | 1 | SCHIEBER | 4931331752 | 4002395613816 |
| 0228 41 | 1 | STIFT | 4931623081 | 4002395700332 |
| 0229 42 | 1 | HALTEBLECH | 4931331787 | 4002395613908 |
| 0232 43 | 1 | SPINDELHUELSE | 4931417464 | 4002395833955 |
| 0233 44 | 5 | TELLERFEDER | 4931379071 | 4002395685653 |
| 0234 45 | 1 | KUPPLUNGSSCHEIBE | 4931379110 | 4002395685776 |
| 0235 46 | 1 | SPINDELRAD | 4931392752 | 4002395743292 |
| 0236 47 | 1 | SPRENGRING | 4931384919 | 4002395726714 |
| 0237 48 | 1 | SCHEIBE | 4931623199 | 4002395700998 |
| 0238 49 | 1 | AXIALLAGER | 4931331713 | 4002395613694 |
| 0239 50 | 1 | SICHERUNGSSCHEIBE | 4931343187 | 4002395629527 |

| Position | Quantity | Description | Part number | EAN |
|----------|----------|--------------------------|-------------|---------------|
| 0243 51 | 1 | DRUCKRING | 4931387328 | 4002395753499 |
| 0248 52 | 1 | SCHEIBE | 4931343049 | 4002395629282 |
| 0251 53 | 2 | NADELLAGER | 4931219424 | 4002395583874 |
| 0252 54 | 1 | RING | 4931382921 | 4002395716241 |
| 0253 55 | 1 | RASTRING | 4931409774 | 4002395837205 |
| 0254 56 | 6 | KUGEL | 4931805437 | 4002395706037 |
| 0255 57 | 1 | DRUCKFEDER | 692737001 | 4002395854189 |
| 0256 58 | 1 | SPRENGRING | 4931945764 | 4002395707317 |
| 0257 59 | 1 | Werkzeugaufnahme/Adapter | 4931379739 | 4002395687510 |
| 0259 60 | 2 | SCHEIBE | 4931623200 | 4002395701001 |
| 0260 61 | 1 | SCHEIBE | 4931623234 | 4002395701100 |
| 0261 62 | 1 | SCHALTGRIF | 4931392506 | 4002395739318 |
| 0262 63 | 1 | HALTEBLECH | 4931379108 | 4002395685752 |
| 0265 64 | 4 | ZYLINDERROLLE | 4931624045 | 4002395705269 |
| 0266 65 | 4 | KUGEL | 4931805390 | 4002395706013 |
| 0268 66 | 1 | SCHEIBE | 4931624096 | 4002395705528 |
| 0269 67 | 1 | DISTANZSCHEIBE | 4931379420 | 4002395686773 |
| 0270 68 | 1 | AUFLAGERING | 4931409756 | 4002395905775 |
| 0271 69 | 1 | SCHEIBE | 4931624098 | 4002395705542 |
| 0272 70 | 1 | SCHEIBE | 4931624097 | 4002395705535 |
| 0273 71 | 1 | SCHEIBE | 4931624096 | 4002395705528 |
| 0275 72 | 2 | SCHRAUBE | 4931623602 | 4002395703036 |
| 0276 73 | 2 | SCHRAUBE | 4931379708 | 4002395687411 |
| 0401 74 | 1 | MOTORABDECKUNG | 4931360732 | 4002395656301 |
| 0405 75 | 1 | MOTERGEHAEUSE | 4931384337 | 4002395718429 |
| 0406 76 | 1 | ANKER 230 - 240V R 38x35 | 4931449967 | 4002395174430 |
| 0407 77 | 1 | VENTILATOR | 4931342793 | 4002395628544 |
| 0408 78 | 1 | RILLENKUGELLAGER | 4931341740 | 4002395626991 |
| 0409 79 | 1 | KUGELLAGER | 4931624101 | 4002395705566 |
| 0410 80 | 1 | ISOLIERSCHEIBE | 4931353260 | 4002395641482 |
| 0411 81 | 1 | REPARATURSATZ | 4931384561 | 4002395721740 |
| 0412 82 | 1 | VORGELEGEWELLE | 4931384864 | 4002395724963 |
| 0413 83 | 1 | DICHTRING | 4931442301 | 4002395888955 |
| 0414 84 | 1 | DISTANZRING | 4931353238 | 4002395641413 |
| 0415 85 | 1 | BUECHSE | 4931384557 | 4002395772704 |
| 0416 86 | 1 | SCHEIBE | 4931624264 | 4002395725014 |
| 0418 87 | 1 | REPARATURSATZ | 4931384560 | 4002395721733 |
| 0420 88 | 1 | RITZELWELLE | 4931432300 | 4002395898763 |
| 0426 89 | 1 | SPERRING | 4931616614 | 4002395694624 |
| 0427 90 | 1 | SCHEIBE | 4931622564 | 4002395698417 |
| 0430 91 | 1 | REPARATURSATZ | 4931379881 | 4002395687978 |
| 0432 92 | 1 | REPARATURSATZ | 4931400216 | 4002395753321 |
| 0444 93 | 1 | SPINDELHUELSE | 4931407945 | 4002395814312 |
| 0605 94 | 1 | TIEFENANSCHLAG | 4931384434 | 4002395719402 |
| 0606 95 | 1 | BOHRFUTTERADAPTER | 4931409790 | 4002395834754 |
| 0700 96 | 1 | TRANSPORTKOFFER | 4931415335 | 4002395827961 |
| 1100 97 | 1 | HANDGRIF KOMPL. | 4931384324 | 4002395723300 |
| 1200 98 | 1 | WARTUNGSSET | 4931384723 | 4002395722884 |
| 1201 99 | 1 | KOHLEBUERSTEN-SET | 4931369477 | 4002395673476 |
| 1204 100 | 1 | O-RING | 4931623124 | 4002395700516 |

| Position | Quantity | Description | Part number | EAN |
|----------|----------|--------------------------------------|-------------|---------------|
| 1205 101 | 1 | GUMMITUELLE | 4931360781 | 4002395656479 |
| 1207 102 | 1 | DICHTUNG | 4931331735 | 4002395613762 |
| 1209 103 | 1 | DICHTRING | 4931379705 | 4002395687381 |
| 1210 104 | 1 | DICHTRING | 4931624492 | 4002395753529 |
| 1211 105 | 1 | O-RING | 4931454456 | 4058546008840 |
| 1212 106 | 1 | O-RING | 4931623135 | 4002395700608 |
| 1213 107 | 1 | DICHTRING | 4931623232 | 4002395701094 |
| 1214 108 | 1 | HUELSE (ROT) | 4931379022 | 4002395685387 |
| 1215 109 | 1 | DAEMPFUNGELEMENT | 4931392502 | 4002395738618 |
| 1216 110 | 2 | NIEDERHALTER | 4931331549 | 4002395613465 |
| 1218 111 | 1 | RING | 4931623636 | 4002395703142 |
| 1219 112 | 1 | SPRENGRING | 4931945764 | 4002395707317 |
| 1220 113 | 4 | SCHRAUBE | 4931623521 | 4002395702619 |
| 1221 114 | 4 | SCHRAUBE | 4931623520 | 4002395702602 |
| 1222 115 | 2 | SCHRAUBE | 4931623519 | 4002395702596 |
| 1223 116 | 2 | SCHRAUBE | 4931379109 | 4002395685769 |
| 1224 117 | 1 | O-RING | 4931623293 | 4002395701209 |
| 1225 118 | 1 | FILZRING | 4931379585 | 4002395686988 |
| 0702 119 | 1 | STAUBFANGTELLER FUeR BOHRER 5-8MM | 4932430912 | 4002395385744 |
| 0705 120 | 1 | ZUSATZHANDGRIFF FUeR 43 MM SPANNHALS | 4932373725 | 4002395352647 |