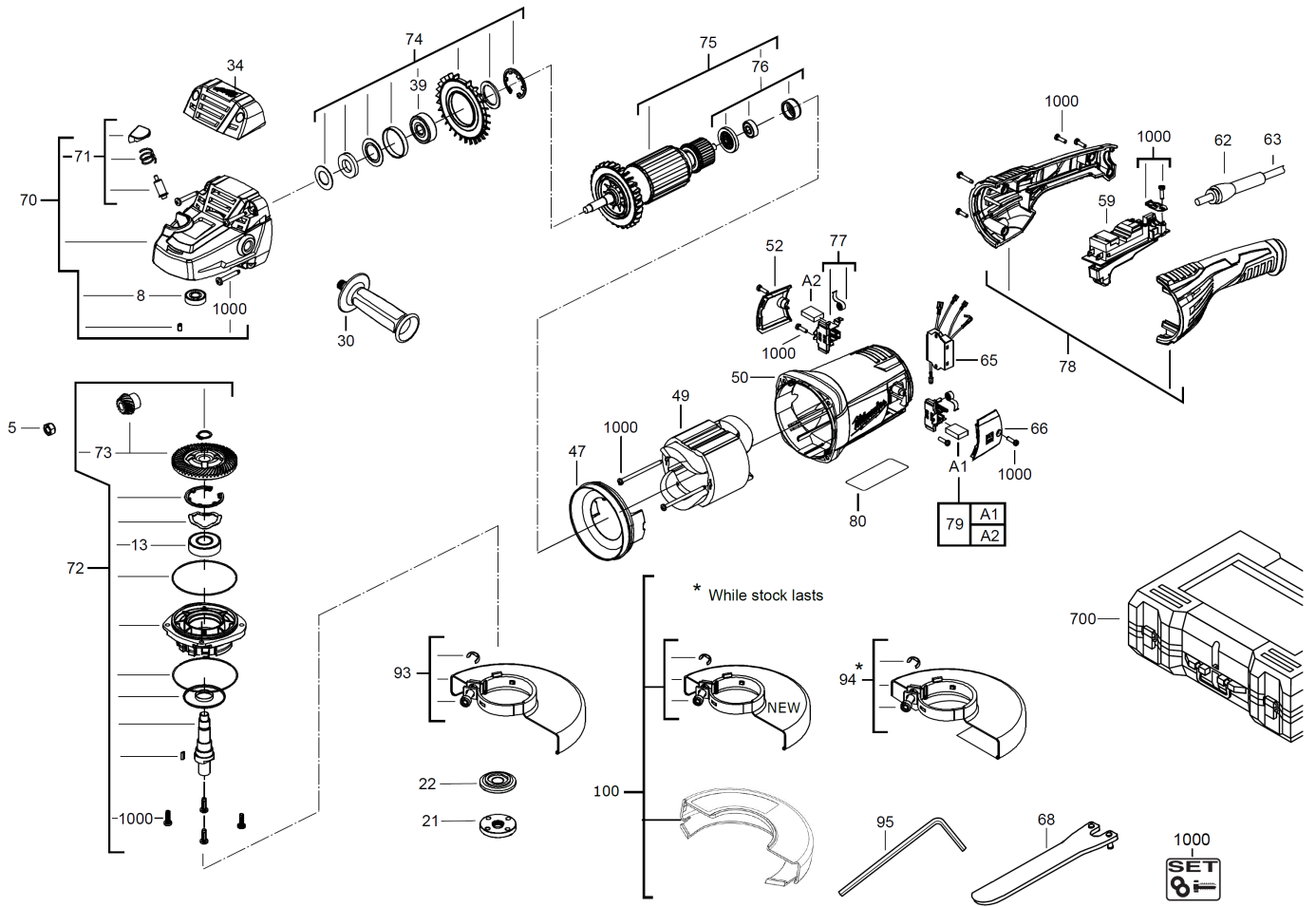


AG22-230 DMS WINKELSCHLEIFER ME1

4933433625 - AG 22-230/DMS - 4000433626





| Position | Quantity | Description | Part number | EAN |
|----------|----------|----------------------|-------------------------------|---------------|
| 0005 1 | 1 | MUTTER | 4931441045 | 4002395862603 |
| 0008 2 | 1 | LAGER | 4931441046 | 4002395862610 |
| 0013 3 | 1 | LAGER | 4931441047 | 4002395862627 |
| 0021 4 | 1 | FLANSCHMUTTER | 4931441048 | 4002395862634 |
| 0022 5 | 1 | FLANSCH | 4931441049 | 4002395862641 |
| 0030 6 | 1 | HANDGRIFF | 4931441050 | 4002395862658 |
| 0034 7 | 1 | GETRIEBEKASTEN | 4931441052 | 4002395863365 |
| 0039 8 | 1 | LAGER | 4931441053 | 4002395863372 |
| 0047 9 | 1 | LUFTFUEHRUNGSRING | 4931441054 | 4002395863389 |
| 0049 10 | 1 | FELD F. ELEKTROMOTOR | 4931441056 | 4002395864003 |
| 0050 11 | 1 | MOTORGEHAEUSE | 4931441057 | 4002395864010 |
| 0052 12 | 1 | BUERSTENABDECKUNG | 4931441058 | 4002395864027 |
| 0059 13 | 1 | SCHALTER | 4931441062 | 4002395864058 |
| 0062 14 | 1 | KABELSCHUTZSCHLAUCH | 4931441065 | 4002395864089 |
| 0063 15 | 1 | ANSCHLUSSLEITUNG | Item discontinued(4931441068) | |
| 0066 16 | 1 | BUERSTENABDECKUNG | 4931441074 | 4002395861347 |
| 0068 17 | 1 | SCHLUESSEL | 4931441075 | 4002395861354 |
| 0070 18 | 1 | Getriebekasten | 4931441090 | 4002395863419 |
| 0071 19 | 1 | VERRIEGEL.-ELEMENT | 4931441091 | 4002395863426 |
| 0072 20 | 1 | SPINDEL | 4931441093 | 4002395863440 |
| 0073 21 | 1 | Getriebe | 4931441097 | 4002395863488 |
| 0074 22 | 1 | LAGERSATZ | 4931441098 | 4002395863495 |
| 0075 23 | 1 | ANKER F.ELEKTROMOTOR | 4931441100 | 4002395864119 |
| 0076 24 | 1 | KUGELLAGER | 4931441101 | 4002395864126 |
| 0077 25 | 1 | BUERST.HALTER KOMPL | 4931441102 | 4002395864133 |
| 0078 26 | 1 | GEHAEUSE | 4931441103 | 4002395864140 |
| 0079 27 | 1 | KOHLEBUERSTEN-SET | 4931441104 | 4002395864157 |
| 0080 28 | 1 | LEISTUNGSSCHILD | Item discontinued(4931441078) | |
| 0093 29 | 1 | SCHUTZHAUBE | 4931441110 | 4002395864171 |
| 0094 30 | 1 | SCHUTZHAUBE | Item discontinued(4931441112) | |
| 0095 31 | 1 | SCHLUESSEL | 4931441089 | 4002395863402 |
| 0100 32 | 1 | SCHUTZHAUBEN-SET | 4931510997 | 4058546636821 |
| 0700 33 | 1 | TRANSPORTKOFFER | Item discontinued(4931441113) | |
| 1000 34 | 1 | SCHRAUBENSET | 4931441114 | 4002395861408 |