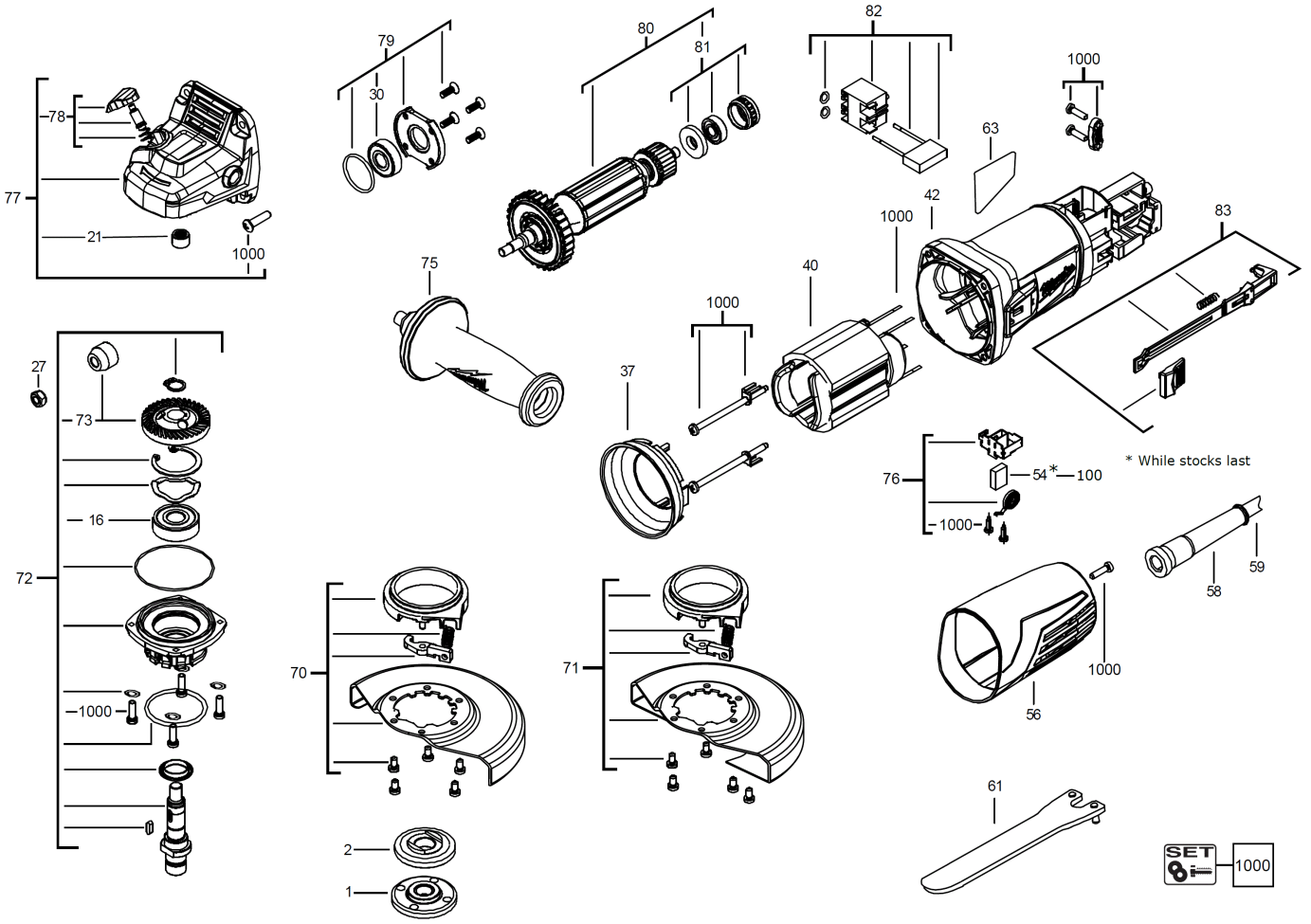


AG10-125 WINKELSCHLEIFER GB1

4933440340 - AG10-125 - 4000440341



| Position | Quantity | Description | Part number | EAN |
|----------|----------|----------------------|-------------------------------|---------------|
| 0001 1 | 1 | FLANSCH | 4931441521 | 4002395867745 |
| 0002 2 | 1 | FLANSCH | 4931441523 | 4002395867769 |
| 0016 3 | 1 | KUGELLAGER | 4931441524 | 4002395865000 |
| 0021 4 | 1 | NADELLAGER | 4931441525 | 4002395865017 |
| 0027 5 | 1 | MUTTER | 4931441526 | 4002395865031 |
| 0030 6 | 1 | KUGELLAGER | 4931441527 | 4002395865048 |
| 0037 7 | 1 | LUFTFUEHRUNGSRING | 4931441528 | 4002395865055 |
| 0040 8 | 1 | FELD F. ELEKTROMOTOR | 4931441529 | 4002395867776 |
| 0042 9 | 1 | MOTORGEHAEUSE | 4931441531 | 4002395865062 |
| 0054 10 | 2 | KOHLEBUERSTE | 4931441234 | 4002395877249 |
| 0056 11 | 1 | DECKEL | 4931441533 | 4002395865086 |
| 0058 12 | 1 | KABELSCHUTZSCHLAUCH | 4931441534 | 4002395865093 |
| 0059 13 | 1 | ANSCHLUSSLEITUNG | 4931441536 | 4002395867066 |
| 0061 14 | 1 | SCHLUESSEL | 4931441539 | 4002395867097 |
| 0063 15 | 1 | LEISTUNGSSCHILD | 4931441544 | 4002395866304 |
| 0070 16 | 1 | SCHUTZHAUBE | 4931441552 | 4002395867028 |
| 0071 17 | 1 | SCHUTZHAUBE | Item discontinued(4931441555) | |
| 0072 18 | 1 | SPINDEL SATZ | 4931441557 | 4002395867042 |
| 0073 19 | 1 | RITZEL | 4931441558 | 4002395865710 |
| 0075 20 | 1 | HANDGRIFF | 4931441548 | 4002395865727 |
| 0076 21 | 1 | BUERSTENHALTER | 4931441559 | 4002395865703 |
| 0077 22 | 1 | GETRIEBEBAUSATZ | 4931441560 | 4002395867790 |
| 0078 23 | 1 | ARRETIERUNG | 4931441561 | 4002395865741 |
| 0079 24 | 1 | KUGELKAEFIG | 4931441562 | 4002395875825 |
| 0080 25 | 1 | ANKER F.ELEKTROMOTOR | 4931441563 | 4002395866380 |
| 0081 26 | 1 | KUGELLAGER | 4931441565 | 4002395875832 |
| 0082 27 | 1 | SCHALTER | 4931441567 | 4002395867714 |
| 0083 28 | 1 | SCHALTHEBEL | 4931441568 | 4002395867721 |
| 0100 29 | 1 | KOHLEBUERSTEN-SET | 4931511292 | 4058546651480 |
| 1000 30 | 1 | SCHRAUBENSET | 4931441569 | 4002395875849 |