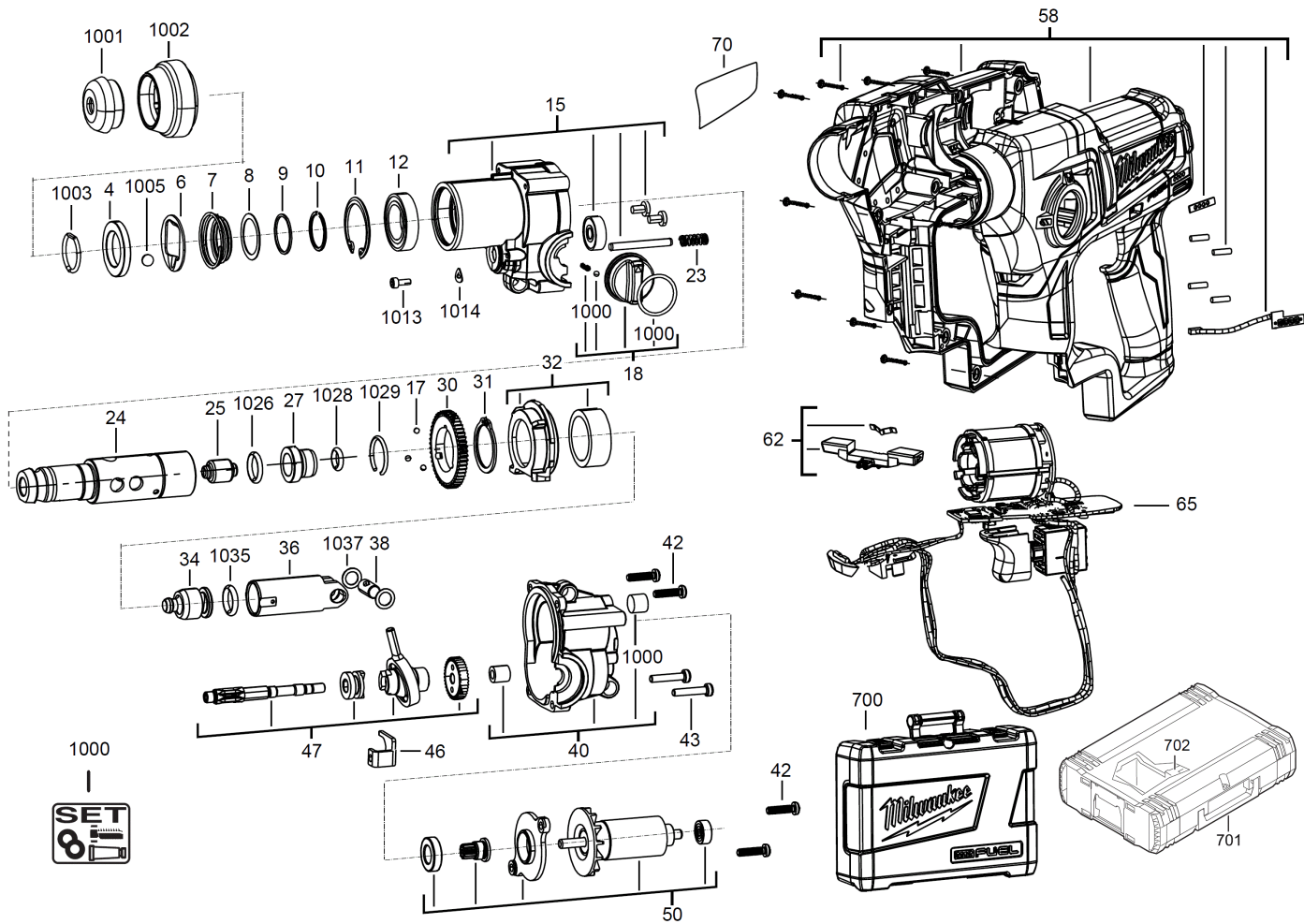


# M12CH-402C AKKU-BORHAMMER IN2

4933441475 - M12CH-402C - 4000441476





| Position | Quantity | Description                             | Part number                   | EAN           |
|----------|----------|---|-------------------------------|---------------|
| 0004 1   | 1        | Federring                               | 4931435460                    | 4002395890293 |
| 0006 2   | 1        | PLATTE                                  | 4931435914                    | 4002395872114 |
| 0007 3   | 1        | FEDER                                   | 672799001                     | 4002395856916 |
| 0008 4   | 1        | SCHEIBE                                 | 4931435463                    | 4002395890927 |
| 0009 5   | 1        | SCHEIBE                                 | 4931435464                    | 4002395890934 |
| 0010 6   | 1        | HALTERING                               | 4931435465                    | 4002395890941 |
| 0011 7   | 1        | HALTERING                               | 4931435476                    | 4002395891658 |
| 0012 8   | 1        | KUGELLAGER                              | 4931435477                    | 4002395891665 |
| 0015 9   | 1        | GETRIEBEKASTEN                          | 4931435917                    | 4002395872145 |
| 0017 10  | 4        | KUGEL                                   | 611405001                     | 4002395851201 |
| 0018 11  | 1        | SCHALTERDRUECKER                        | 4931435490                    | 4002395892396 |
| 0023 12  | 1        | FEDER                                   | Item discontinued(4931435479) |               |
| 0024 13  | 1        | SPINDEL                                 | 4931435918                    | 4002395872152 |
| 0025 14  | 1        | AMBOSS                                  | 4931435467                    | 4002395890965 |
| 0027 15  | 1        | AMBOSS                                  | 4931435469                    | 4002395890989 |
| 0030 16  | 1        | SPINDELRAD                              | 4931435472                    | 4002395891610 |
| 0031 17  | 1        | HALTERING                               | 4931435473                    | 4002395891627 |
| 0032 18  | 1        | KUGELLAGER                              | Item discontinued(4931435480) |               |
| 0034 19  | 1        | SCHLAGBOLZEN                            | 4931435481                    | 4002395892303 |
| 0036 20  | 1        | KOLBEN                                  | 4931435919                    | 4002395872169 |
| 0038 21  | 1        | STIFT                                   | 4931435484                    | 4002395892334 |
| 0040 22  | 1        | GETRIEBEkasten                          | 4931435488                    | 4002395892372 |
| 0042 23  | 4        | SCHRAUBE                                | 4931435489                    | 4002395892389 |
| 0043 24  | 2        | SCHRAUBE                                | Item discontinued(5131026627) |               |
| 0046 25  | 1        | UMSCHALTHEBEL                           | Item discontinued(4931435486) |               |
| 0047 26  | 1        | TAUMELTRIEB                             | 4931435920                    | 4002395872176 |
| 0050 27  | 1        | MOTOREINHEIT                            | 4931435921                    | 4002395872183 |
| 0058 28  | 1        | GEHAEUSE                                | Item discontinued(4931435922) |               |
| 0062 29  | 1        | DRUECKER                                | Item discontinued(4931435923) |               |
| 0065 30  | 1        | SCHALTER                                | 4931435924                    | 4002395872817 |
| 0070 31  | 1        | LEISTUNGSSCHILD                         | 4931435925                    | 4002395872824 |
| 0700 32  | 1        | TRANSPORTKASTEN                         | 4931435926                    | 4002395872831 |
| 0701 33  | 1        | SYSTEMKOFFER MILWAUKEE GR.1             | 4932378986                    | 4002395349401 |
| 0702 34  | 1        | EINSATZ AUS KUNSTSTOFF F.WERKZEUGKOFFER | 4931447815                    | 4002395884339 |
| 1000 35  | 1        | WARTUNGSSET                             | 4931443318                    | 4002395873548 |
| 1001 36  | 1        | GUMMIKAPPE                              | 561993001                     | 4002395854936 |
| 1002 37  | 1        | HUELSE                                  | 4931435455                    | 4002395890248 |
| 1003 38  | 1        | Federring                               | 4931435459                    | 4002395890286 |
| 1005 39  | 1        | KUGEL                                   | 4931435461                    | 4002395890903 |
| 1013 40  | 1        | SCHRAUBE                                | 4931435915                    | 4002395872121 |
| 1014 41  | 1        | SCHEIBE                                 | 4931435916                    | 4002395872138 |
| 1026 42  | 1        | GUMMIRING                               | 4931435468                    | 4002395890972 |
| 1028 43  | 1        | GUMMIRING                               | 4931435470                    | 4002395890996 |
| 1029 44  | 1        | SPRENGRING                              | 4931435471                    | 4002395891603 |
| 1035 45  | 1        | GUMMIRING                               | 4931435482                    | 4002395892310 |
| 1037 46  | 1        | SCHEIBE                                 | 4931435485                    | 4002395892341 |
| 0001 47  | 2        | M12B4 LI-ION AKKUMULATOR 4.0AH XXX      | 4932430065                    | 4002395377268 |