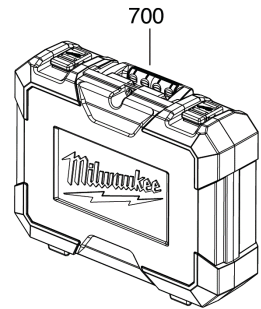
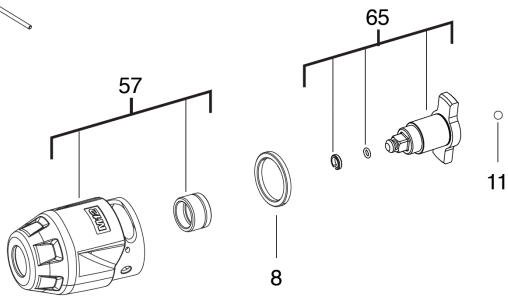
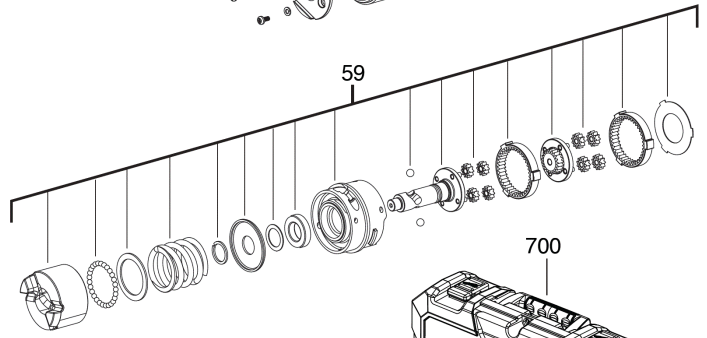
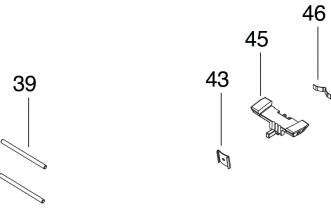
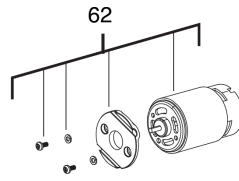
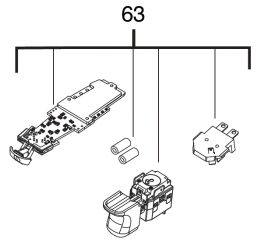
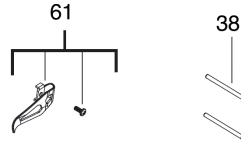
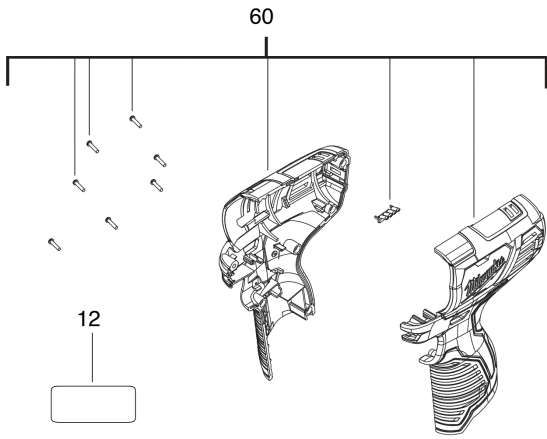


M12BIW14-0 AKKU-SCHLAGSCHRAUBER XXX

4933441980 - M12BIW14-0 - 4000441971





| Position | Quantity | Description | Part number | EAN |
|----------|----------|--------------------|-------------------------------|---------------|
| 0008 1 | 1 | RING | 4931435780 | 4002395867578 |
| 0011 2 | 1 | KUGEL | 4931453238 | 4002395153916 |
| 0012 3 | 1 | LEISTUNGSSCHILD | Item discontinued(4931435954) | |
| 0038 4 | 2 | STIFT | Item discontinued(4931435944) | |
| 0039 5 | 2 | STIFT | Item discontinued(4931435945) | |
| 0043 6 | 1 | VERBINDUNGS-STUECK | 631542001 | 4002395822591 |
| 0045 7 | 1 | SCHALTSCHIEBER | 4931441968 | 4002395179244 |
| 0046 8 | 1 | FEDERBLECH | 4931452341 | 4002395172528 |
| 0057 9 | 1 | GETRIEBEKOPF | Item discontinued(4931435955) | |
| 0059 10 | 1 | GETRIEBE-SET | Item discontinued(4931435956) | |
| 0060 11 | 1 | HANDGRIFF-SET | 4931435950 | 4002395886333 |
| 0061 12 | 1 | KLAMMER | 4931435760 | 4002395866175 |
| 0062 13 | 1 | MOTOREINHEIT | 4931435951 | 4002395886340 |
| 0063 14 | 1 | ELEKTRONIK | 4931435952 | 4002395886357 |
| 0065 15 | 1 | AMBOSS | Item discontinued(4931435957) | |
| 0700 16 | 1 | TRANSPORTKOFFER | 4931435953 | 4002395886364 |