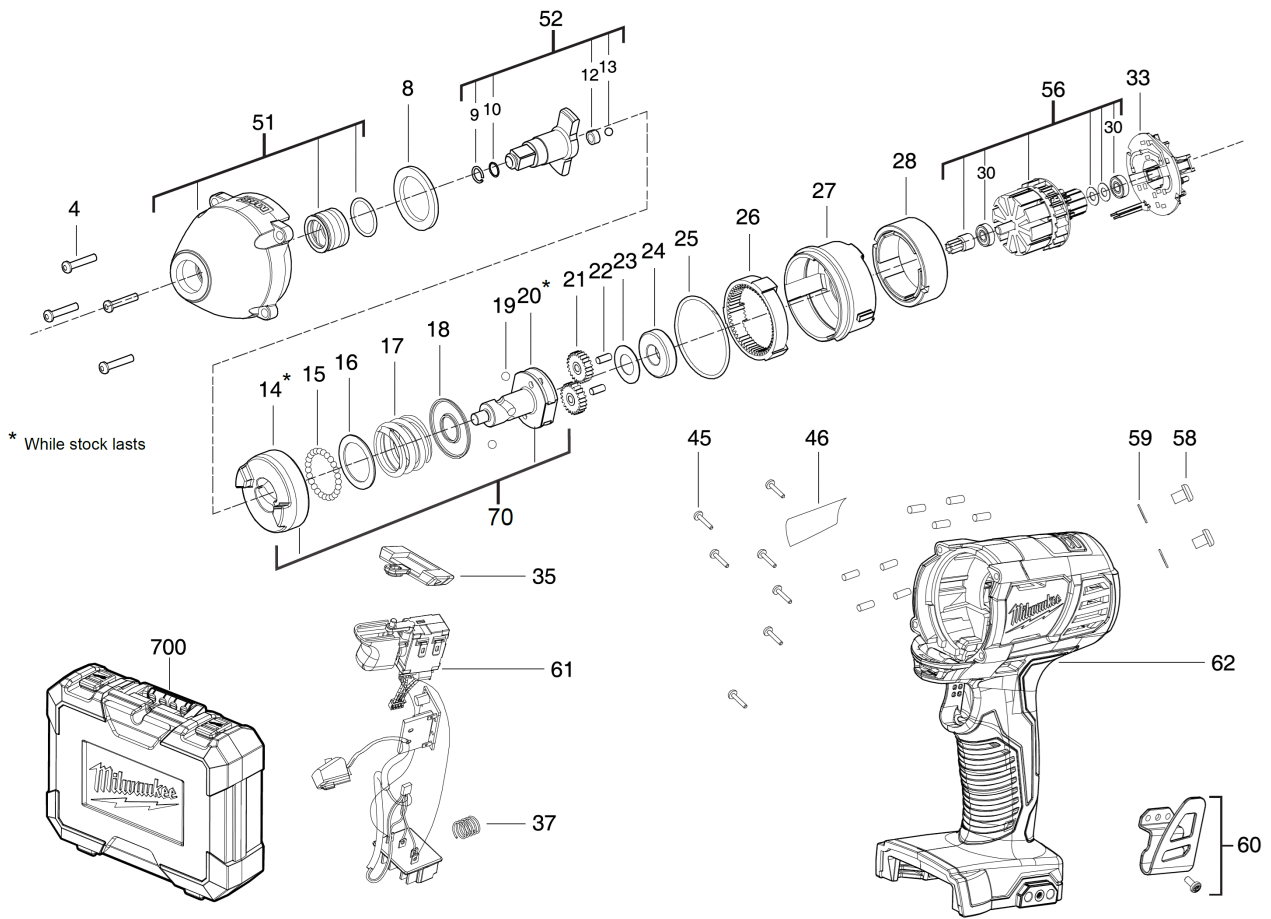


# M18BIW38-202C AK.-SCHLAGSCHRAUBER GB2

4933446201 - M18BIW38-202C - 4000443601





| Position | Quantity | Description          | Part number                   | EAN           |
|----------|----------|----------------------|-------------------------------|---------------|
| 0004 1   | 4        | SCHRAUBE             | 4931436054                    | 4002395876372 |
| 0008 2   | 1        | SCHEIBE              | 4931452798                    | 4002395169283 |
| 0009 3   | 1        | RING                 | 4931435756                    | 4002395866137 |
| 0010 4   | 1        | O-RING               | 4931435755                    | 4002395866120 |
| 0012 5   | 1        | NADELLAGER           | 4931446185                    | 4002395877645 |
| 0013 6   | 1        | KUGEL                | 4931453238                    | 4002395153916 |
| 0014 7   | 1        | SCHLAGKOERPER        | 4931436056                    | 4002395876396 |
| 0015 8   | 30       | KUGEL                | 4931440309                    | 4002395892013 |
| 0016 9   | 1        | SCHEIBE              | 4931436057                    | 4002395877003 |
| 0017 10  | 1        | RING                 | Item discontinued(4931436058) |               |
| 0018 11  | 1        | SCHEIBE              | 4931436059                    | 4002395877027 |
| 0019 12  | 2        | KUGEL                | 4931440453                    | 4002395892020 |
| 0020 13  | 1        | STOESSEL             | 4931436060                    | 4002395877034 |
| 0021 14  | 2        | PLANETENGETRIEBE     | 4931436061                    | 4002395877041 |
| 0022 15  | 2        | ZYLINDERSTIFT        | 4931435378                    | 4002395889341 |
| 0023 16  | 1        | SCHEIBE              | 4931435379                    | 4002395889358 |
| 0024 17  | 1        | KUGELLAGER           | 4931436062                    | 4002395877058 |
| 0025 18  | 1        | HALTERING            | Item discontinued(4931436063) |               |
| 0026 19  | 1        | GETRIEBERAD          | Item discontinued(4931436064) |               |
| 0027 20  | 1        | GEHAEUSE             | Item discontinued(4931436065) |               |
| 0028 21  | 1        | FELD F. ELEKTROMOTOR | 4931454076                    | 4002395287512 |
| 0030 22  | 2        | KUGELLAGER           | 681262001                     | 4002395806126 |
| 0033 23  | 1        | KOHLEBUERSTEN-SET    | 4931436067                    | 4002395877799 |
| 0035 24  | 1        | UMSCHALTER           | 4931436068                    | 4002395878406 |
| 0037 25  | 1        | DRUCKFEDER           | 4931408243                    | 4002395814466 |
| 0045 26  | 9        | SCHRAUBE             | 660851001                     | 4002395823239 |
| 0046 27  | 1        | LEISTUNGSSCHILD      | Item discontinued(4931436080) |               |
| 0051 28  | 1        | GEHAEUSE             | 4931436073                    | 4002395878451 |
| 0052 29  | 1        | ANTRIEB              | 4931436081                    | 4002395878536 |
| 0056 30  | 1        | ANKER F.ELEKTROMOTOR | 4931436075                    | 4002395878475 |
| 0058 31  | 2        | FEDERRING            | 670028003                     | 4002395846627 |
| 0059 32  | 2        | SCHRAUBE             | 4931435990                    | 4002395876402 |
| 0060 33  | 1        | HALTER               | 4931436076                    | 4002395878482 |
| 0061 34  | 1        | SCHALTER M.ELEKTRO.  | 4931436077                    | 4002395878499 |
| 0062 35  | 1        | HANDGRIFF            | 4931436078                    | 4002395878505 |
| 0070 36  | 1        | NOCKENWELLE          | 4931511005                    | 4058546636678 |
| 0700 37  | 1        | TRANSPORTKOFFER      | Item discontinued(4931436079) |               |