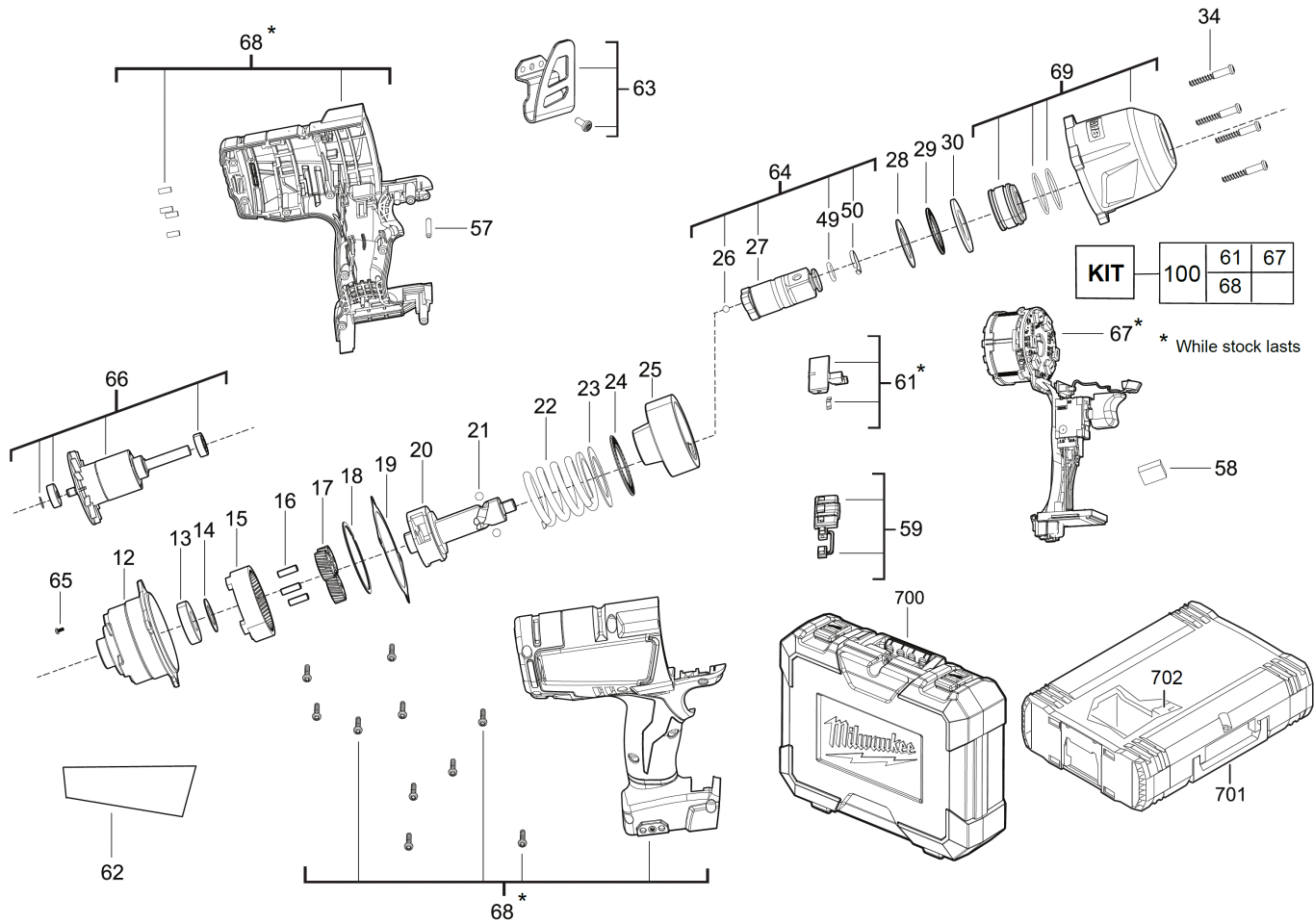


M18CHIWF34-502C AK.-SCHLAGSCHRAUBER IN2

4933448105 - M18CHIWF34-502C - 4000446262





| Position | Quantity | Description | Part number | EAN |
|----------|----------|--------------------------------------|-------------------------------|---------------|
| 0012 1 | 1 | GETRIEBEKASTEN | 4931436167 | 4002395881642 |
| 0013 2 | 1 | KUGELLAGER | 681340001 | 4002395824021 |
| 0014 3 | 1 | SCHEIBE | 680335058 | 4002395825059 |
| 0015 4 | 1 | HOHLRAD | 4931436144 | 4002395880904 |
| 0016 5 | 3 | STIFT | 671565004 | 4002395825028 |
| 0017 6 | 3 | PLANETENGETRIEBE | 4931433835 | 4002395895441 |
| 0018 7 | 1 | RETAINING RING | 4931436145 | 4002395880911 |
| 0019 8 | 1 | DICHTUNG | 4931436146 | 4002395880928 |
| 0020 9 | 1 | NOCKENWELLE | Item discontinued(4931436147) | |
| 0021 10 | 2 | KUGEL | 4931436148 | 4002395880935 |
| 0022 11 | 1 | FEDER | 4931436149 | 4002395880942 |
| 0023 12 | 1 | SCHEIBE | 680335060 | 4002395823864 |
| 0024 13 | 1 | LAGER | 02800200 | 4058546068318 |
| 0025 14 | 1 | STOESSEL | 4931436150 | 4002395880959 |
| 0026 15 | 1 | KUGEL | 680595003 | 4002395823888 |
| 0027 16 | 1 | AMBOSS | 4931436172 | 4002395881017 |
| 0028 17 | 1 | SCHEIBE | 4931436152 | 4002395880973 |
| 0029 18 | 1 | KUGELLAGER | 680658012 | 4002395825080 |
| 0030 19 | 1 | SCHEIBE | 4931436153 | 4002395880980 |
| 0034 20 | 4 | SCHRAUBE | 4931436154 | 4002395880997 |
| 0049 21 | 1 | O-RING | 34401210 | 4058546072094 |
| 0050 22 | 1 | RING | 44904540 | 4002395736133 |
| 0057 23 | 1 | STIFT | 4931436155 | 4002395881604 |
| 0058 24 | 1 | SCHAUMSTOFF | Item discontinued(4931436156) | |
| 0059 25 | 1 | SCHALTER | 4931436157 | 4002395880300 |
| 0061 26 | 1 | UMSCHALTHEBEL | 4931436158 | 4002395880317 |
| 0062 27 | 1 | LEISTUNGSSCHILD | 4931436171 | 4002395881000 |
| 0063 28 | 1 | KLAMMER | 4931436160 | 4002395880324 |
| 0064 29 | 1 | Doepper | 4931436170 | 4002395880393 |
| 0065 30 | 1 | SCHRAUBE | 4931436162 | 4002395881628 |
| 0066 31 | 1 | ANKER f. Elektromotor KOMPLETT | 4931436163 | 4002395880348 |
| 0067 32 | 1 | ELEKTRONIK | Item discontinued(4931436169) | |
| 0068 33 | 1 | GEHAEUSE | Item discontinued(4931436165) | |
| 0069 34 | 1 | GEHAEUSE | Item discontinued(4931447678) | |
| 0100 35 | 1 | GEHAEUSE/ELEKTRONIK/F/R SCHALTER SET | Item discontinued(4931466330) | |
| 0700 36 | 1 | TRANSPORTKOFFER | 4931436151 | 4002395880966 |
| 0701 37 | 1 | SYSTEMKOFFER MILWAUKEE GR.1 | 4932378986 | 4002395349401 |
| 0702 38 | 1 | EINSATZ | Item discontinued(4931447817) | |
| 0001 39 | 2 | M18B5 LI-ION AKKUMULATOR 5.0AH XXX | 4932430483 | 4002395381449 |