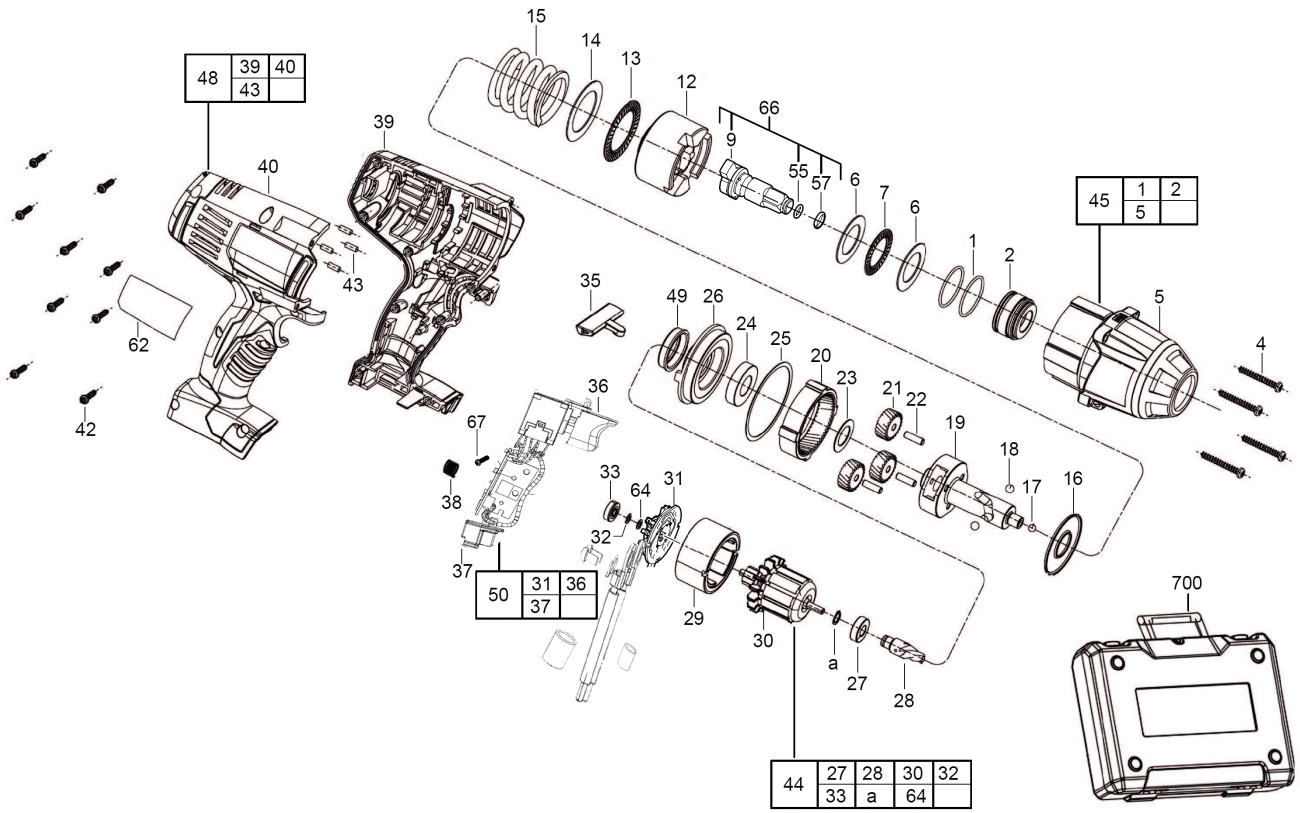


HD18HIWF-402C AK.-SCHLAGSCHRAUBER IN2

4933441789 - HD18HIWF-402C - 4000447203





| Position | Quantity | Description | Part number | EAN |
|----------|----------|-------------------------------|-------------------------------|---------------|
| 0001 1 | 2 | O-RING | 570690001 | 4002395824977 |
| 0002 2 | 1 | BUCHSE | 680413031 | 4002395823871 |
| 0004 3 | 4 | SCHRAUBE | 661046002 | 4002395823772 |
| 0005 4 | 1 | GEHAEUSEKAPPE | 641356001 | 4002395824182 |
| 0006 5 | 2 | SCHEIBE | 4931436152 | 4002395880973 |
| 0007 6 | 1 | KUGELLAGER | 680658012 | 4002395825080 |
| 0009 7 | 1 | SCHLAGWELLE | Item discontinued(4931416491) | |
| 0012 8 | 1 | STOESSEL | 671486010 | 4002395824991 |
| 0013 9 | 1 | KUGELLAGER | 02800200 | 4058546068318 |
| 0014 10 | 1 | SCHEIBE | 680335060 | 4002395823864 |
| 0015 11 | 1 | DRUCKFEDER | 671588010 | 4002395823826 |
| 0016 12 | 1 | SCHEIBE | 680335059 | 4002395823857 |
| 0017 13 | 1 | KUGEL | 680595003 | 4002395823888 |
| 0018 14 | 2 | KUGEL | 680185001 | 4002395825042 |
| 0019 15 | 1 | SPINDEL | 671488015 | 4002395825004 |
| 0020 16 | 1 | PLANETENRAD | 610449013 | 4002395823697 |
| 0021 17 | 3 | PLANETENGETRIEBE | 4931433835 | 4002395895441 |
| 0022 18 | 3 | STIFT | 671565004 | 4002395825028 |
| 0023 19 | 1 | SCHEIBE | 680335058 | 4002395825059 |
| 0024 20 | 1 | KUGELLAGER | 681340001 | 4002395824021 |
| 0025 21 | 1 | DICHTUNG | 560123001 | 4002395823666 |
| 0026 22 | 1 | MOTORGEHAEUSE | 4931472254 | 4058546284718 |
| 0027 23 | 1 | KUGELLAGER | 4931441228 | 4002395870066 |
| 0028 24 | 1 | RITZEL | 610447020 | 4002395823673 |
| 0029 25 | 1 | FELD F. ELEKTROMOTOR | 4931440971 | 4002395863198 |
| 0030 26 | 1 | ANKER F.ELEKTROMOTOR | 4931453442 | 4002395147939 |
| 0031 27 | 1 | KOHLEBUERSTEN-SET | 4931441933 | 4002395256839 |
| 0032 28 | 1 | SCHEIBE | 902206001 | 4002395824113 |
| 0033 29 | 1 | KUGELLAGER | 681286001 | 4002395824014 |
| 0035 30 | 1 | KNOPF | 519198001 | 4002395823642 |
| 0036 31 | 1 | SCHALTELEKTRONIK | 4931445220 | 4002395256860 |
| 0037 32 | 1 | VERBINDUNGSSTUECK | 4931441229 | 4002395870073 |
| 0038 33 | 1 | DRUCKFEDER | 4931408243 | 4002395814466 |
| 0039 34 | 1 | GEHAEUSEHAELFTE LINKS | Item discontinued(4931441929) | |
| 0040 35 | 1 | GEHAEUSEHAELFTE RECHTS | 4931441938 | 4002395256815 |
| 0042 36 | 9 | SCHRAUBE | 660024018 | 4002395823741 |
| 0043 37 | 4 | GUMMIPUFFER | 560085001 | 4002395823659 |
| 0044 38 | 1 | ANKER F.ELEKTROMOTOR | 201038002 | 4002395823482 |
| 0045 39 | 1 | GETRIEBEGEHAEUSE | 201040003 | 4002395823505 |
| 0048 40 | 1 | GEHAEUSE KOMPL. | 4931441939 | 4002395256808 |
| 0049 41 | 1 | GUMMIKAPPE | 570692005 | 4002395824984 |
| 0050 42 | 1 | SCHALTER-SET | 4931445221 | 4002395256853 |
| 0055 43 | 1 | O-RING | 4931416492 | 4002395898367 |
| 0057 44 | 1 | SPRENGRING | 4931416493 | 4002395898374 |
| 0062 45 | 1 | LEISTUNGSSCHILD | 4931447223 | 4002395256877 |
| 0064 46 | 1 | SCHEIBE | Item discontinued(902207001) | |
| 0066 47 | 1 | Vierkantaufnahme | 4931416494 | 4002395898381 |
| 0067 48 | 1 | SCHRAUBE | 4931447534 | 4002395882823 |
| 0700 49 | 1 | TRANSPORTKASTEN | Item discontinued(201607001) | |
| 0002 50 | 1 | LADEGERAET /C18C 220-240V IN2 | 4932352485 | 4002395371433 |