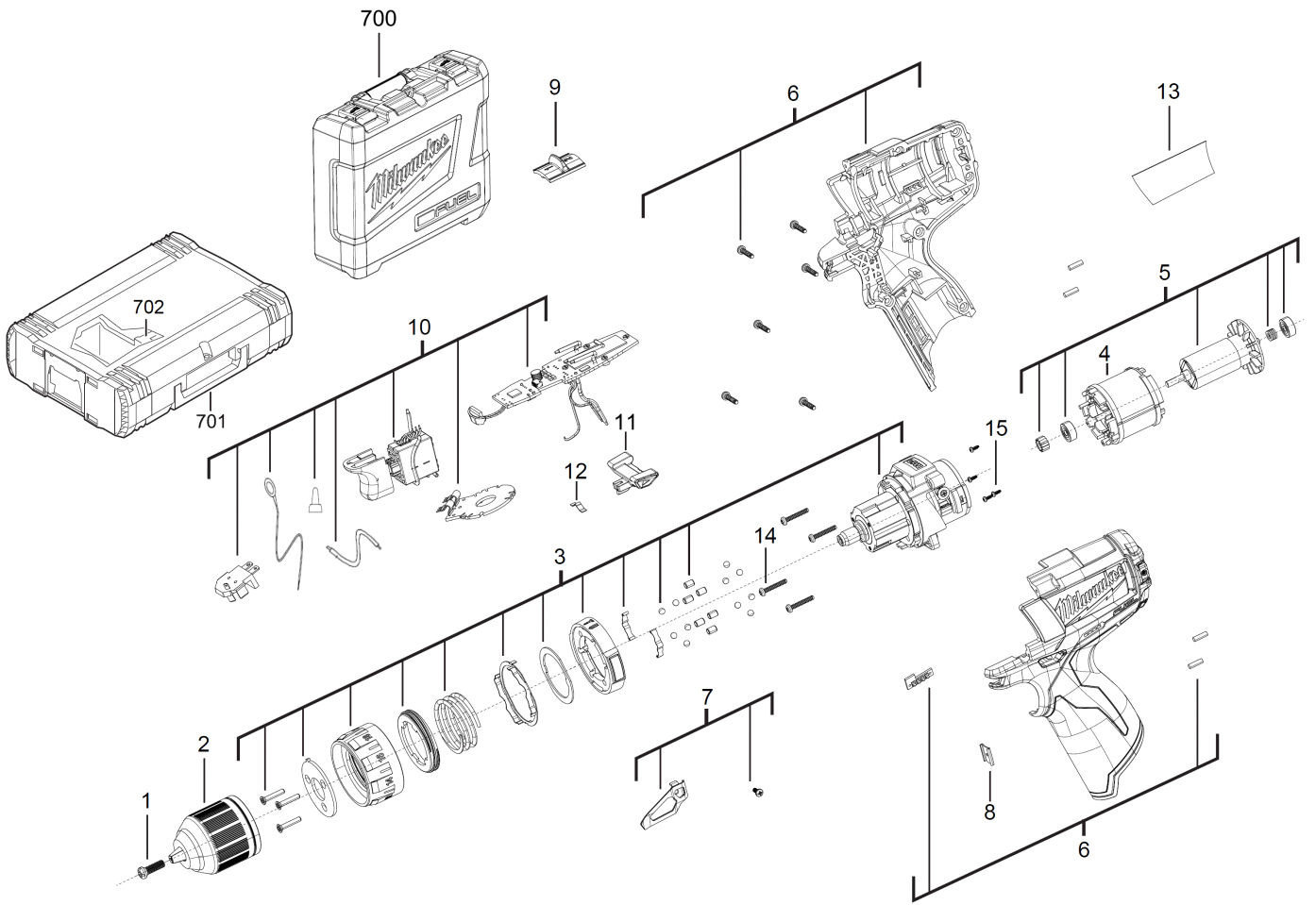


M12CDD-602X Akku-Bohrschrauber IN2

4933451508 - M12CDD-602X - 4000448882



| Position | Quantity | Description | Part number | EAN |
|----------|----------|-----------------------------|-------------------------------|---------------|
| 0001 1 | 1 | SCHRAUBE | 4931433297 | 4002395896684 |
| 0002 2 | 1 | BOHRFUTTER | 4931435279 | 4002395902583 |
| 0003 3 | 1 | GETRIEBEKASTEN | Item discontinued(4931435738) | |
| 0004 4 | 1 | FELD F. ELEKTROMOTOR | 4931456540 | 4002395162529 |
| 0005 5 | 1 | ANKER F.ELEKTROMOTOR | 4931435725 | 4002395866090 |
| 0006 6 | 1 | Motorgehaeuse | 4931452442 | 4002395145270 |
| 0007 7 | 1 | HALTER | 4931435732 | 4002395866762 |
| 0008 8 | 1 | VERBINDUNGSSTUECK | 4931436292 | 4002395252909 |
| 0009 9 | 1 | STELLRAD | 4931435733 | 4002395866779 |
| 0010 10 | 1 | SCHALTER | 4931452443 | 4002395145287 |
| 0011 11 | 1 | KNOPF | 4931453615 | 4002395145263 |
| 0012 12 | 1 | FEDERBLECH | 4931452341 | 4002395172528 |
| 0013 13 | 1 | LEISTUNGSSCHILD 448882 | 4931448884 | 4002395140084 |
| 0014 14 | 1 | SCHRAUBE | 660230017 | 4002395839742 |
| 0015 15 | 1 | SCHRAUBE | 4931435726 | 4002395866700 |
| 0700 16 | 1 | TRANSPORTKASTEN | Item discontinued(4931435730) | |
| 0701 17 | 1 | SYSTEMKOFFER MILWAUKEE GR.1 | 4932378986 | 4002395349401 |
| 0702 18 | 1 | EINSATZ | 4931436215 | 4002395884209 |