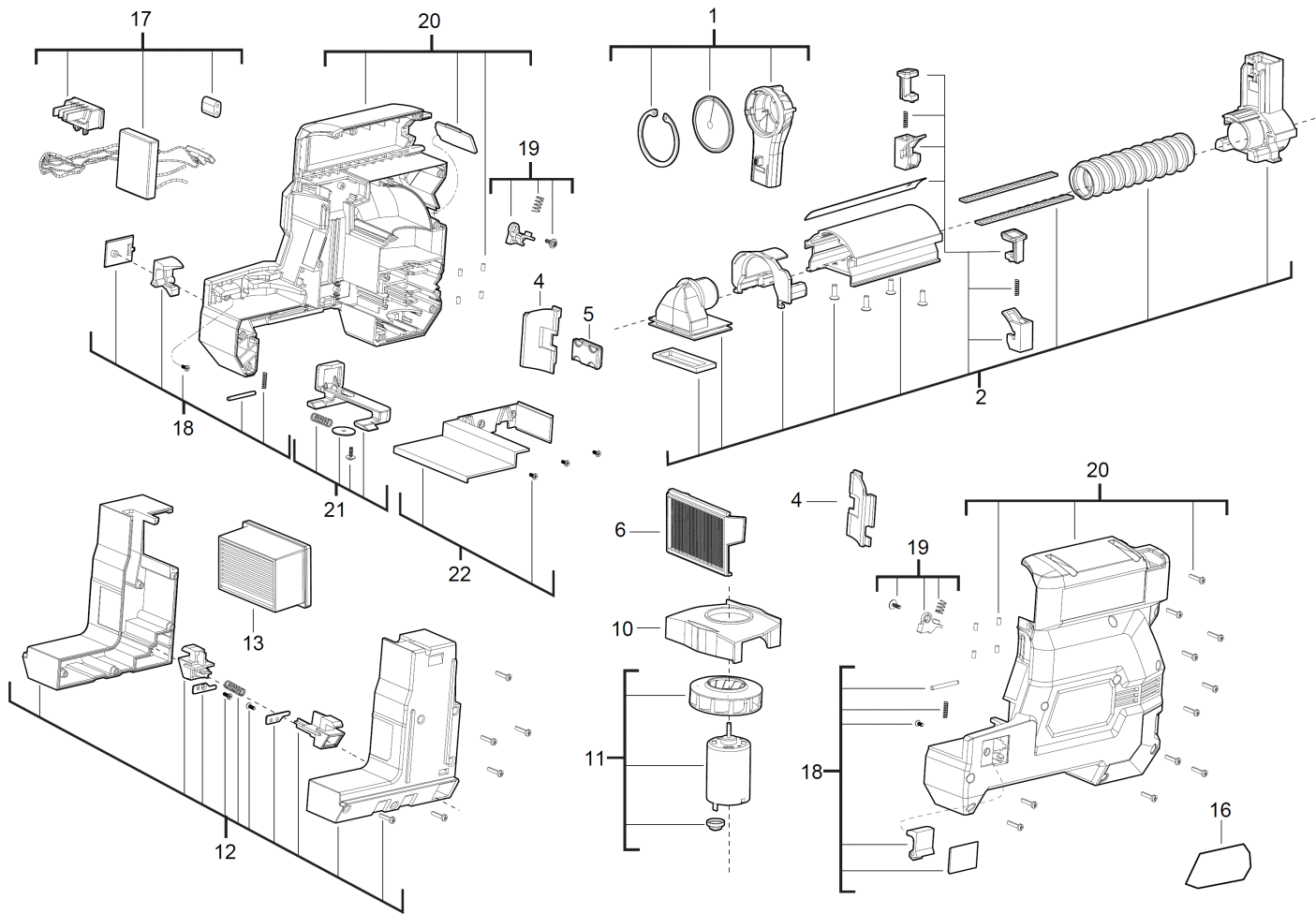


M18CHPXDE-502C AKKU-BOHRHAMMER IN2

4933448180 - M18CHPXDE-502C - 4000452467





| Position | Quantity | Description | Part number | EAN |
|----------|----------|--|-------------------------------|---------------|
| 0001 1 | 1 | Ansaugstutzen f. M12/18 DE (2) | 49902301 | 45242337279 |
| 0002 2 | 1 | ROHR | 4931436581 | 4002395257751 |
| 0004 3 | 1 | EINSATZ | 4931436584 | 4002395257782 |
| 0005 4 | 1 | GUMMIPUFFER | 4931436579 | 4002395257737 |
| 0006 5 | 1 | PLATTE | Item discontinued(4931436523) | |
| 0010 6 | 1 | VENTILATOR | 4931436515 | 4002395249848 |
| 0011 7 | 1 | ANKER F.ELEKTROMOTOR | Item discontinued(4931436516) | |
| 0012 8 | 1 | Filterset f. M18CDEX/M18-28CPDEX (3tlg.) | 49902342 | 45242341948 |
| 0013 9 | 1 | STAUBFILTER M12DE filter - 3pc | 49902306 | 45242299454 |
| 0016 10 | 1 | LEISTUNGSSCHILD | Item discontinued(4931452550) | |
| 0017 11 | 1 | ELEKTRONIK-PLATINE | 4931436585 | 4002395257799 |
| 0018 12 | 1 | HALTESTANGE | 4931436582 | 4002395257768 |
| 0019 13 | 1 | HEBEL | Item discontinued(4931436519) | |
| 0020 14 | 1 | GEHAEUSE | 4931436583 | 4002395257775 |
| 0021 15 | 1 | KNOPF | 4931436521 | 4002395250509 |
| 0022 16 | 1 | ABDECKUNG | 4931436522 | 4002395250516 |