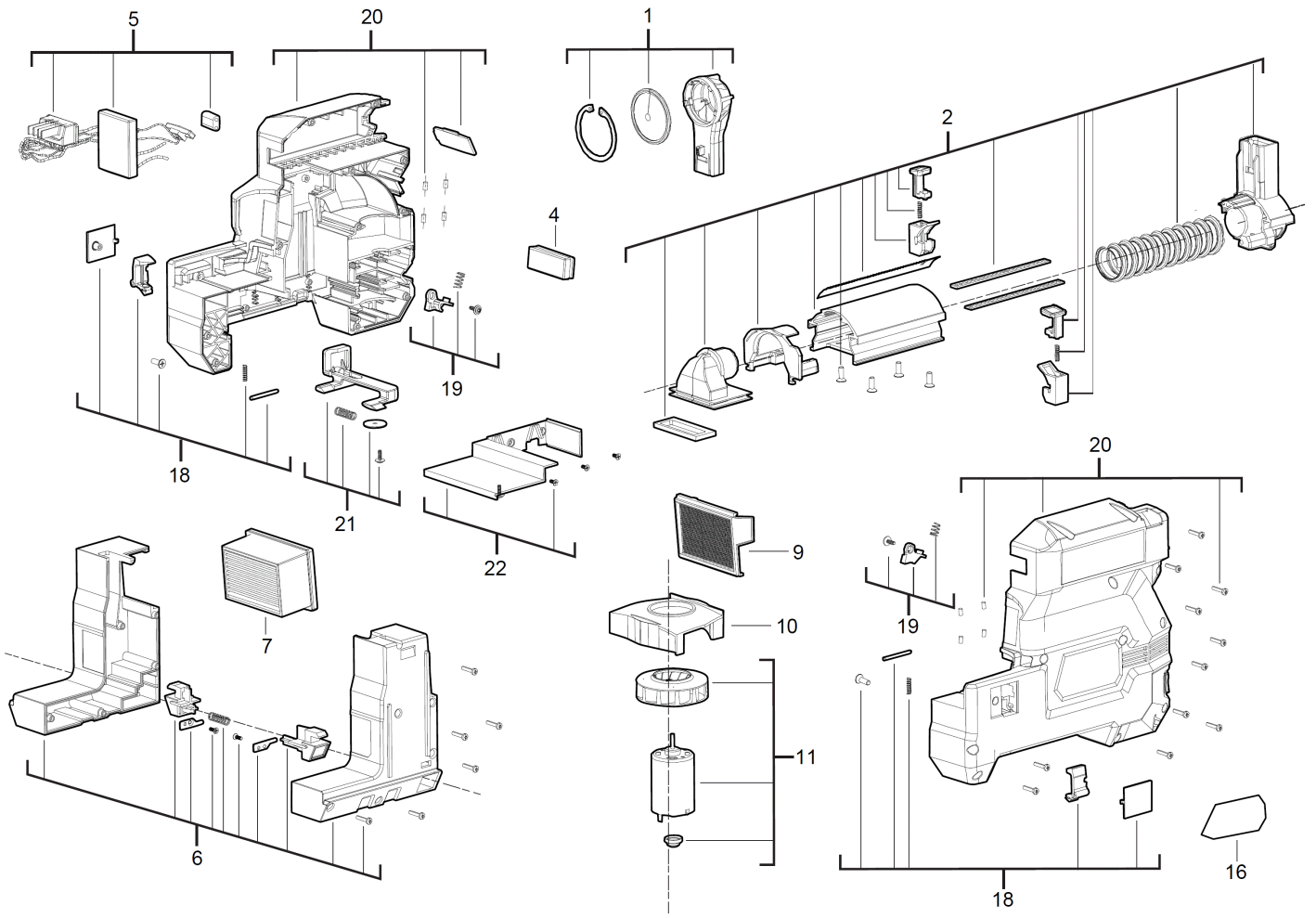


# M18CHXDE-502C AKKU-BOHRHAMMER IN2

4933448185 - M18CHXDE-502C - 4000452469





| Position | Quantity | Description                              | Part number                   | EAN           |
|----------|----------|--|-------------------------------|---------------|
| 0001 1   | 1        | Ansaugstutzen f. M12/18 DE (2)           | 49902301                      | 45242337279   |
| 0002 2   | 1        | ROHR                                     | 4931436524                    | 4002395250530 |
| 0004 3   | 1        | PUFFER                                   | Item discontinued(4931436525) |               |
| 0005 4   | 1        | ELEKTRONIK-PLATINE                       | 4931436526                    | 4002395250554 |
| 0006 5   | 1        | Filterset f. M18CDEX/M18-28CPDEX (3tlg.) | 49902342                      | 45242341948   |
| 0007 6   | 1        | STAUBFILTER M12DE filter - 3pc           | 49902306                      | 45242299454   |
| 0009 7   | 1        | PLATTE                                   | Item discontinued(4931436523) |               |
| 0010 8   | 1        | VENTILATOR                               | 4931436515                    | 4002395249848 |
| 0011 9   | 1        | ANKER F.ELEKTROMOTOR                     | Item discontinued(4931436516) |               |
| 0016 10  | 1        | LEISTUNGSSCHILD                          | Item discontinued(4931452553) |               |
| 0018 11  | 1        | HALTESTANGE                              | 4931436518                    | 4002395249879 |
| 0019 12  | 1        | HEBEL                                    | Item discontinued(4931436519) |               |
| 0020 13  | 1        | GEHAEUSE                                 | 4931436520                    | 4002395249893 |
| 0021 14  | 1        | KNOPF                                    | 4931436521                    | 4002395250509 |
| 0022 15  | 1        | ABDECKUNG                                | 4931436522                    | 4002395250516 |