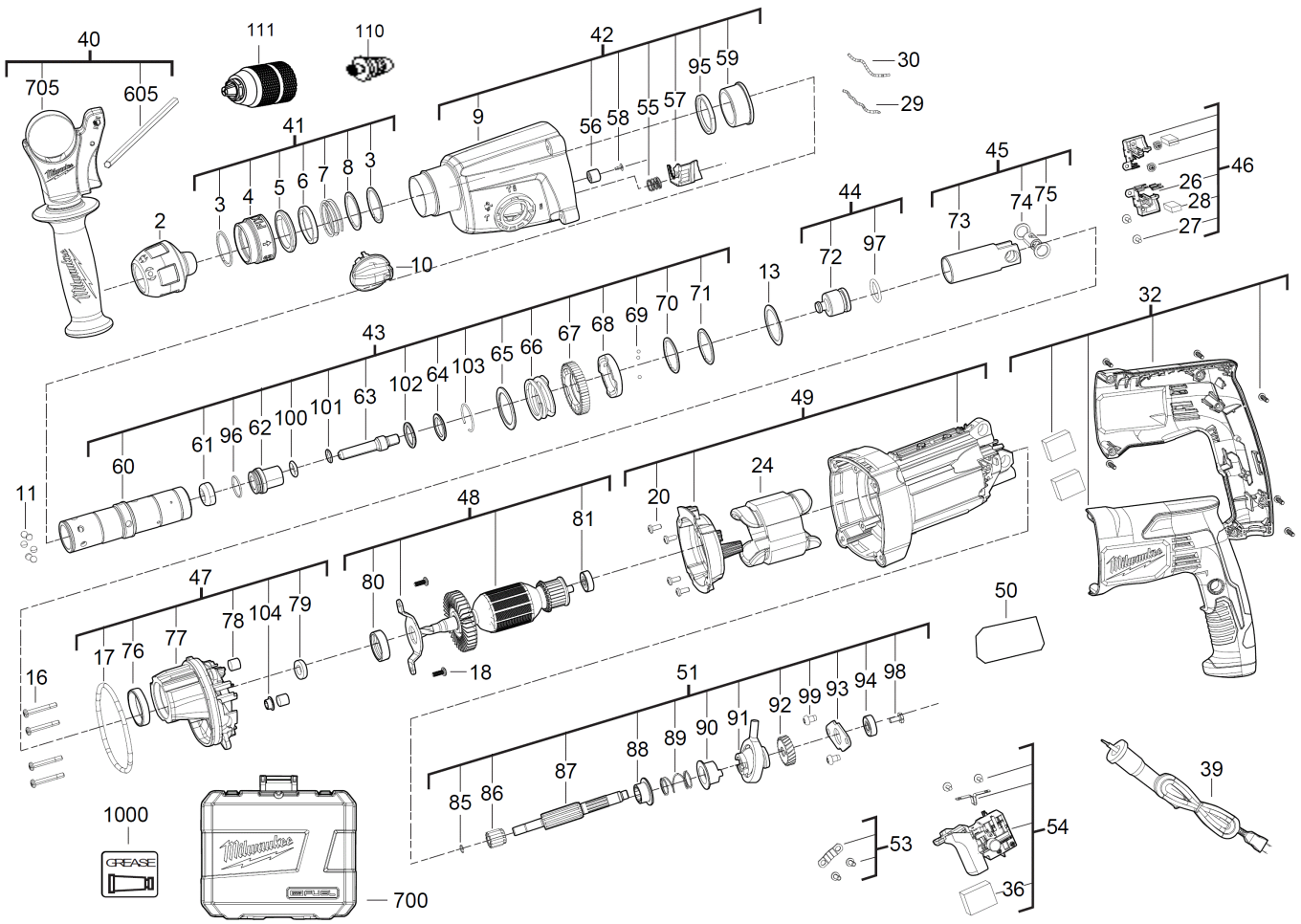


PH27X Kombihammer SA

4933451227 - PH27X - 4000452619





| Position | Quantity | Description | Part number | EAN |
|----------|----------|-----------------------------|-------------------------------|---------------|
| 0002 1 | 1 | BOHRFUTTER FIXTEC FUeR SDS+ | 4932352299 | 4002395369584 |
| 0003 2 | 2 | SICHERUNGSRING | 672634004 | 4002395854219 |
| 0004 3 | 1 | HUELSE | 522186001 | 4002395850631 |
| 0005 4 | 1 | BREMSRING | 692726001 | 4002395854172 |
| 0006 5 | 1 | RING | 522187001 | 4002395856879 |
| 0007 6 | 1 | FEDER | 692737001 | 4002395854189 |
| 0008 7 | 1 | SCHEIBE | 632420001 | 4002395854134 |
| 0009 8 | 1 | GEHAEUSE | 4931436766 | 4002395179817 |
| 0010 9 | 1 | SCHALTERDRUECKER | 4931436767 | 4002395179800 |
| 0011 10 | 6 | KUGEL | 681486001 | 4002395851928 |
| 0013 11 | 1 | SCHEIBE | Item discontinued(4931436768) | |
| 0016 12 | 4 | SCHRAUBE | 4931436769 | 4002395179183 |
| 0017 13 | 1 | O-RING | 4931436533 | 4002395251223 |
| 0018 14 | 2 | SCHRAUBE | 660165015 | 4002395849826 |
| 0020 15 | 4 | SCHRAUBE | 661189001 | 4002395855148 |
| 0024 16 | 1 | FELD F. ELEKTROMOTOR | Item discontinued(4931436770) | |
| 0026 17 | 2 | BUERSTENHALTER | 4931436771 | 4002395179169 |
| 0027 18 | 4 | SCHRAUBE | 4931447933 | 4002395253296 |
| 0028 19 | 2 | KOHLEBUERSTE | 4931436772 | 4002395179152 |
| 0029 20 | 1 | DROSSEL | 4931436773 | 4002395179145 |
| 0030 21 | 1 | DROSSEL | 4931436774 | 4002395179138 |
| 0032 22 | 1 | HANDGRIFF KOMPL. | 4931436789 | 4002395181186 |
| 0036 23 | 1 | KONDENSATOR | 4931436775 | 4002395179121 |
| 0039 24 | 1 | ANSCHLUSSLEITUNG | Item discontinued(4931436831) | |
| 0040 25 | 1 | HANDGRIFF KOMPL. | 4931436777 | 4002395179107 |
| 0041 26 | 1 | HUELSE | 4931436832 | 4002395181759 |
| 0042 27 | 1 | GEHAEUSE | 4931436779 | 4002395181889 |
| 0043 28 | 1 | SPINDELHUELSE | 4931436833 | 4002395181742 |
| 0044 29 | 1 | SCHLAGKOERPER | 4931436781 | 4002395181865 |
| 0045 30 | 1 | KOLBEN | 4931436782 | 4002395181858 |
| 0046 31 | 1 | KOHLEBUERSTEN-SET | 4931436783 | 4002395181841 |
| 0047 32 | 1 | Getriebekasten | 4931436784 | 4002395181834 |
| 0048 33 | 1 | ANKER F.ELEKTROMOTOR | 4931436785 | 4002395181827 |
| 0049 34 | 1 | MOTORGEHAEUSE | 4931436786 | 4002395181810 |
| 0050 35 | 1 | LEISTUNGSSCHILD | Item discontinued(4931452623) | |
| 0051 36 | 1 | WELLE | 4931436788 | 4002395181193 |
| 0053 37 | 1 | KABELSCHUTZSCHLAUCH | Item discontinued(4931436790) | |
| 0054 38 | 1 | SCHALTER M.ELEKTRO. | Item discontinued(4931436791) | |
| 0055 39 | 1 | FEDER | 692732001 | 4002395852017 |
| 0056 40 | 1 | NADELLAGER | 4931436792 | 4002395181155 |
| 0057 41 | 1 | ARRETIERSTANGE | 4931436793 | 4002395181148 |
| 0058 42 | 1 | SCHRAUBE | 4931436794 | 4002395181131 |
| 0059 43 | 1 | BUCHSE | 4931436795 | 4002395181124 |
| 0060 44 | 1 | SPINDEL | Item discontinued(4931436840) | |
| 0061 45 | 1 | RING | 4931436841 | 4002395181063 |
| 0062 46 | 1 | HUELSE | 4931436798 | 4002395180493 |
| 0063 47 | 1 | SCHLAGKOERPER | 4931436842 | 4002395181056 |
| 0064 48 | 1 | SCHEIBE | 4931436800 | 4002395180479 |
| 0065 49 | 1 | SCHEIBE | 633517001 | 4002395851331 |
| 0066 50 | 1 | FEDER | 4931436801 | 4002395180462 |

| Position | Quantity | Description | Part number | EAN |
|----------|----------|---------------------------------------|-------------------------------|---------------|
| 0067 51 | 1 | VORGELEGE | 4931436802 | 4002395180455 |
| 0068 52 | 1 | KUPPLUNG | Item discontinued(4931436803) | |
| 0069 53 | 3 | KUGEL | 611405001 | 4002395851201 |
| 0070 54 | 1 | HALTERING | 4931436804 | 4002395180431 |
| 0071 55 | 1 | SICHERUNGSRING | 672634004 | 4002395854219 |
| 0072 56 | 1 | SCHLAGKOERPER | 4931436805 | 4002395180424 |
| 0073 57 | 1 | KOLBEN | 4931436806 | 4002395180417 |
| 0074 58 | 2 | SCHEIBE | 632400001 | 4002395856268 |
| 0075 59 | 1 | ZYLINDERBOLZEN | 4931436807 | 4002395180400 |
| 0076 60 | 1 | BUCHSE | Item discontinued(4931436808) | |
| 0077 61 | 1 | GETRIEBEKASTEN | Item discontinued(4931436809) | |
| 0078 62 | 2 | FILZ | 4931436536 | 4002395251254 |
| 0079 63 | 1 | DICHTRING | 4931436810 | 4002395179770 |
| 0080 64 | 1 | KUGELLAGER | 4931452227 | 4002395180547 |
| 0081 65 | 1 | KUGELLAGER | 4931436119 | 4002395881475 |
| 0085 66 | 1 | SCHEIBE | 633525001 | 4002395854141 |
| 0086 67 | 1 | RITZEL | 4931436812 | 4002395179756 |
| 0087 68 | 1 | WELLE | 4931436813 | 4002395179749 |
| 0088 69 | 1 | RITZEL | 4931436814 | 4002395179732 |
| 0089 70 | 1 | FEDER | Item discontinued(4931436815) | |
| 0090 71 | 1 | TAUMELSCHEIBE | 4931436554 | 4002395255535 |
| 0091 72 | 1 | KUGELLAGER | 4931436816 | 4002395179718 |
| 0092 73 | 1 | GETRIEBERAD | 4931436817 | 4002395179701 |
| 0093 74 | 1 | PLATTE | Item discontinued(4931436818) | |
| 0094 75 | 1 | KUGELLAGER | 681383001 | 4002395802050 |
| 0095 76 | 1 | DICHTRING | 902076001 | 4002395854967 |
| 0096 77 | 1 | O-RING | 4931436819 | 4002395179084 |
| 0097 78 | 1 | O-RING | 4931436820 | 4002395179077 |
| 0098 79 | 1 | SCHRAUBE | 4931436821 | 4002395179060 |
| 0099 80 | 2 | SICHERUNGSSCHRAUBE | 661286001 | 4002395851362 |
| 0100 81 | 1 | GUMMIRING | 4931436822 | 4002395179053 |
| 0101 82 | 1 | O-RING | 4931436823 | 4002395179046 |
| 0102 83 | 1 | O-RING | 562595001 | 4002395850655 |
| 0103 84 | 1 | HALTERING | 4931436552 | 4002395255511 |
| 0104 85 | 1 | GUMMIBUCHSE | Item discontinued(4931436824) | |
| 0110 86 | 1 | ADAPTER FIXTEC AUF 1/2X20 | 4932399154 | 4002395357635 |
| 0111 87 | 1 | SCHNELLSPANNBOHRFUTTER 1.5-13MM 1/2X2 | 4932376531 | 4002395346332 |
| 0120 88 | 1 | KOHLEBUERSTEN-SET | 4931511234 | 4058546650902 |
| 0602 89 | 1 | FEDERING | 4931302074 | 4002395591602 |
| 0605 90 | 1 | TIEFENANSCHLAG | 4931384434 | 4002395719402 |
| 0700 91 | 1 | TRANSPORTKOFFER | Item discontinued(4931436825) | |
| 0705 92 | 1 | HANDGRIFF | 4931436000 | 4002395877140 |
| 1000 93 | 1 | GETRIEBEFETT | 4931443288 | 4002395255627 |