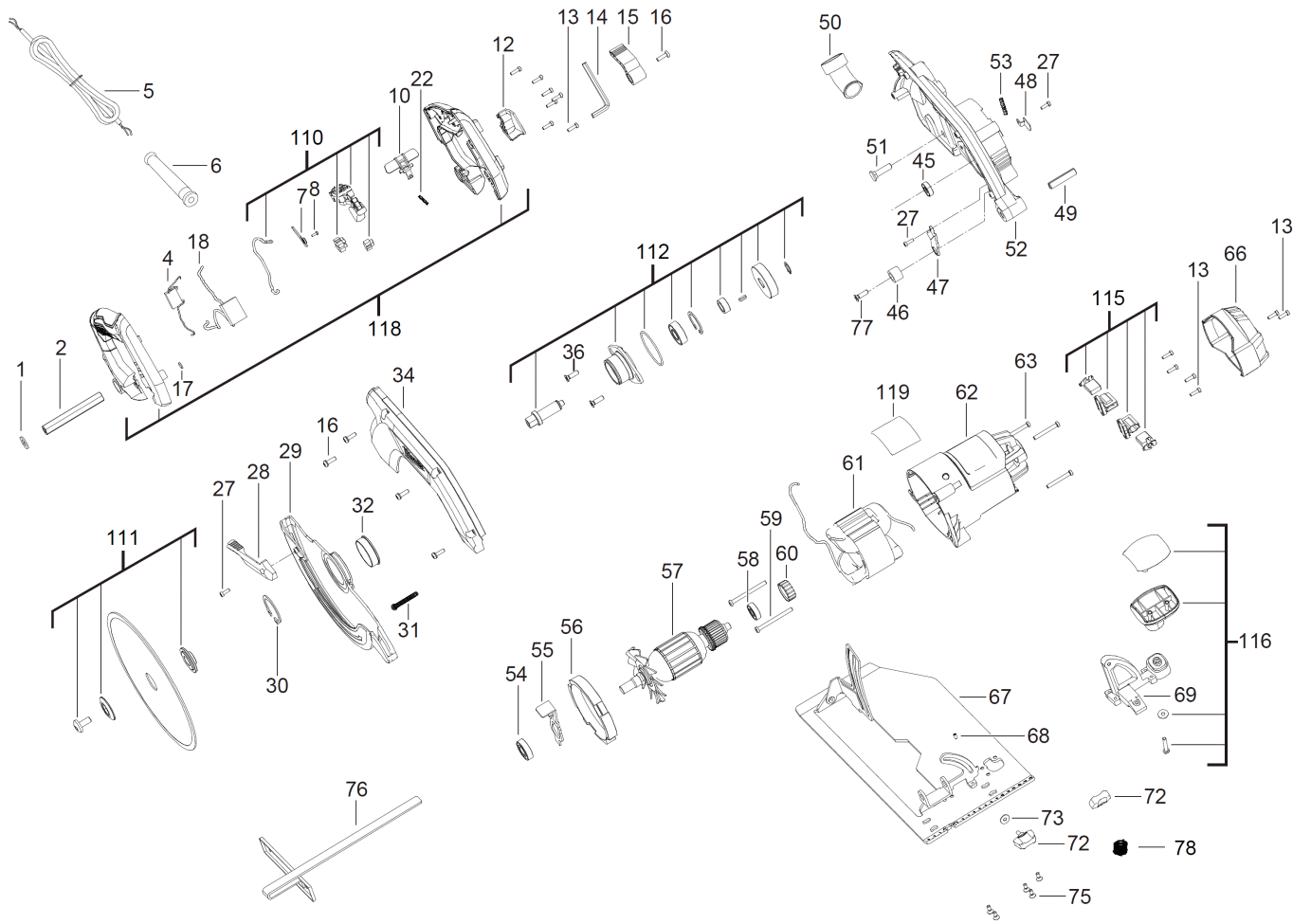


CS85SB KREISSAEGE GB1

4933451118 - CS85SB - 4000452700





| Position | Quantity | Description | Part number | EAN |
|----------|----------|----------------------|-------------------------------|---------------|
| 1001 1 | 1 | SCHEIBE | 4931431103 | 4002395853694 |
| 1002 2 | 1 | FUEHRUNGSSTANGE | 4931454194 | 4002395285082 |
| 1004 3 | 1 | KONDENSATOR | Item discontinued(4931454195) | |
| 1005 4 | 1 | ELEKTRISCHES KABEL | 4931454197 | 4002395285716 |
| 1006 5 | 1 | KABELSCHUTZSCHLAUCH | 4931454199 | 4002395285730 |
| 1007 6 | 1 | HALTEPLATTE | 4931454200 | 4002395285747 |
| 1008 7 | 1 | SCHRAUBE | Item discontinued(4931454201) | |
| 1010 8 | 1 | DRUECKER | Item discontinued(4931454202) | |
| 1012 9 | 1 | KAPPE | 4931454204 | 4002395285785 |
| 1013 10 | 13 | SCHRAUBE | 4931454205 | 4002395285792 |
| 1014 11 | 1 | SCHRAUBE | 4931454205 | 4002395285792 |
| 1015 12 | 1 | KNOPF | 4931454207 | 4002395286416 |
| 1016 13 | 5 | SCHRAUBE | 4931454208 | 4002395286423 |
| 1017 14 | 1 | O-RING | 4931454209 | 4002395286430 |
| 1018 15 | 1 | SANFTANLAUF | 4931454211 | 4002395286454 |
| 1022 16 | 1 | FEDER | 4931454212 | 4002395286461 |
| 1027 17 | 3 | SCHRAUBE | 4931454213 | 4002395286478 |
| 1028 18 | 1 | SCHWENKHEBEL | 4931454214 | 4002395286485 |
| 1029 19 | 1 | SCHUTZVORRICHTUNG | 4931454215 | 4002395286492 |
| 1030 20 | 1 | SPRENGRING | 4931454216 | 4002395283705 |
| 1031 21 | 1 | FEDER | 4931454217 | 4002395283712 |
| 1032 22 | 1 | SCHUTZKAPPE | 4931454218 | 4002395283729 |
| 1034 23 | 1 | SCHUTZVORRICHTUNG | 4931454219 | 4002395283736 |
| 1036 24 | 2 | SCHRAUBE | 4931454220 | 4002395283743 |
| 1045 25 | 1 | KUGELLAGER | 4931454221 | 4002395283750 |
| 1046 26 | 1 | GUMMIPUFFER | Item discontinued(4931454222) | |
| 1047 27 | 1 | SCHUTZKAPPE | 4931454223 | 4002395283774 |
| 1048 28 | 1 | ABDECKPLATTE | 4931454224 | 4002395283781 |
| 1049 29 | 1 | HALTESTIFT | 4931454225 | 4002395283798 |
| 1050 30 | 1 | UMLENKSTUTZEN | 4931454226 | 4002395284405 |
| 1051 31 | 1 | BEFESTIGUNGSBOLZEN | 4931454227 | 4002395284412 |
| 1052 32 | 1 | GETRIEBEKASTEN | 4931454228 | 4002395284429 |
| 1053 33 | 1 | FEDER | 4931454229 | 4002395284436 |
| 1054 34 | 1 | KUGELLAGER | 4931454230 | 4002395284443 |
| 1055 35 | 1 | SPINDELARRETIERUNG | 4931454231 | 4002395284450 |
| 1056 36 | 1 | VENTILATORGEHAEUSE | 4931454232 | 4002395284467 |
| 1057 37 | 1 | MOTOREINHEIT | Item discontinued(4931454234) | |
| 1058 38 | 1 | KUGELLAGER | 4931454235 | 4002395284498 |
| 1059 39 | 2 | SCHRAUBE | Item discontinued(4931454236) | |
| 1060 40 | 1 | LAGERBUCHSE | 4931454237 | 4002395285112 |
| 1061 41 | 1 | FELD F. ELEKTROMOTOR | Item discontinued(4931454239) | |
| 1062 42 | 1 | GEHAEUSE | Item discontinued(4931454240) | |
| 1063 43 | 3 | SCHRAUBE | 4931454241 | 4002395285150 |
| 1066 44 | 1 | ABSCHLUSSKAPPE | 4931454242 | 4002395285167 |
| 1067 45 | 1 | GRUNDPLATTE | 4931454243 | 4002395285174 |
| 1068 46 | 1 | SCHRAUBE | 4931454244 | 4002395285181 |
| 1069 47 | 1 | ANSCHLAG | Item discontinued(4931454245) | |
| 1072 48 | 2 | EINSCHALTSPERRE | Item discontinued(4931454246) | |
| 1073 49 | 1 | SCHEIBE | 4931454247 | 4002395285815 |
| 1075 50 | 5 | SCHRAUBE | 4931454248 | 4002395285822 |

| Position | Quantity | Description | Part number | EAN |
|----------|----------|--------------------|-------------------------------|---------------|
| 1076 51 | 1 | FUEHRUNG | 4931454249 | 4002395285839 |
| 1077 52 | 1 | SCHRAUBE | 4931454250 | 4002395285846 |
| 1078 53 | 1 | FEDER | 4931454251 | 4002395285853 |
| 1110 54 | 1 | SCHALTER | 4931454252 | 4002395285860 |
| 1111 55 | 1 | FLANSCH | 4931454253 | 4002395285877 |
| 1112 56 | 1 | SPINDELARRETIERUNG | 4931454254 | 4002395285884 |
| 1115 57 | 1 | KOHLEBUERSTE | 4931454255 | 4002395285891 |
| 1116 58 | 1 | ZUSATZHANDGRIFF | Item discontinued(4931454256) | |
| 1118 59 | 1 | HANDGRIFFHAELFTEN | 4931454257 | 4002395286515 |
| 1119 60 | 1 | LEISTUNGSSCHILD | 4931454259 | 4002395286539 |