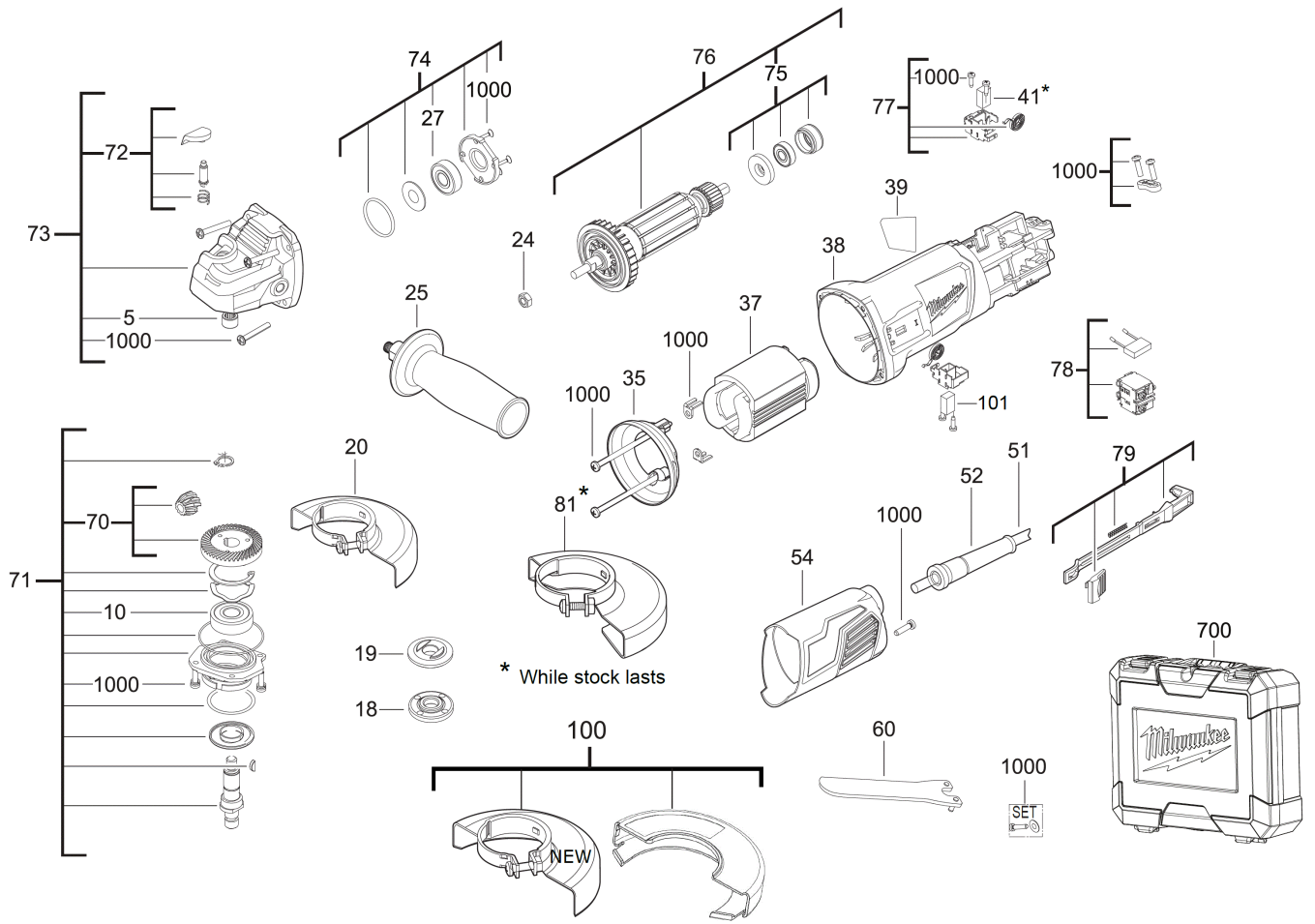


# AG800-115ED-SET Winkelschleifer Set GB1

4933451217 - AG800-115ED-SET GB1 - 4000452812





| Position | Quantity | Description          | Part number                   | EAN           |
|----------|----------|----------------------|-------------------------------|---------------|
| 0005 1   | 1        | NADELLAGER           | Item discontinued(4931453548) |               |
| 0010 2   | 1        | KUGELLAGER           | 4931453524                    | 4002395144310 |
| 0018 3   | 1        | ZWISCHENFLANSCH      | 4931453551                    | 4002395145782 |
| 0019 4   | 1        | ZWISCHENFLANSCH      | 4931453543                    | 4002395145706 |
| 0020 5   | 1        | SCHUTZ               | 4931453540                    | 4002395145072 |
| 0024 6   | 1        | MUTTER               | 4931453549                    | 4002395145768 |
| 0025 7   | 1        | ZUSATZHANDGRIFF      | 4931453554                    | 4002395146413 |
| 0027 8   | 1        | KUGELLAGER           | 4931453523                    | 4002395144303 |
| 0035 9   | 1        | LUFTFUEHRUNGSRING    | 4931453520                    | 4002395143672 |
| 0037 10  | 1        | FELD F. ELEKTROMOTOR | 4931453536                    | 4002395145034 |
| 0038 11  | 1        | MOTORGEHAEUSE        | 4931453547                    | 4002395145744 |
| 0039 12  | 1        | LEISTUNGSSCHILD      | 4931453563                    | 4002395143719 |
| 0041 13  | 2        | KOHLEBUERSTE         | 4931453529                    | 4002395144365 |
| 0051 14  | 1        | ANSCHLUSSLEITUNG     | Item discontinued(4931453555) |               |
| 0052 15  | 1        | KABELSCHUTZSCHLAUCH  | 4931453530                    | 4002395144372 |
| 0054 16  | 1        | GEHAEUSEKAPPE        | 4931453559                    | 4002395146475 |
| 0060 17  | 1        | SCHLUESSEL           | Item discontinued(4931453578) |               |
| 0070 18  | 1        | GETRIEBESATZ         | 4931453553                    | 4002395146406 |
| 0071 19  | 1        | SPINDEL              | 4931453571                    | 4002395143795 |
| 0072 20  | 1        | VERRIEGELUNGSHEBEL   | 4931453546                    | 4002395145737 |
| 0073 21  | 1        | GETRIEBEKASTEN       | 4931453538                    | 4002395145058 |
| 0074 22  | 1        | LAGERSATZ            | 4931453526                    | 4002395144334 |
| 0075 23  | 1        | KUGELLAGER           | 4931453525                    | 4002395144327 |
| 0076 24  | 1        | ANKER F.ELEKTROMOTOR | 4931453521                    | 4002395143689 |
| 0077 25  | 2        | BUERSTENHALTER       | 4931453528                    | 4002395144358 |
| 0078 26  | 1        | SCHALTER             | 4931453573                    | 4002395144419 |
| 0079 27  | 1        | SCHALTERDRUECKER     | 4931453576                    | 4002395144440 |
| 0081 28  | 1        | SCHUTZHAUBE          | 4931419252                    | 4002395827138 |
| 0100 29  | 1        | SCHUTZHAUBEN-SET     | 4931510992                    | 4058546636777 |
| 0101 30  | 1        | KOHLEBUERSTEN-SET    | 4931511295                    | 4058546651510 |
| 0700 31  | 1        | TRANSPORTKASTEN      | 4931453527                    | 4002395144341 |
| 1000 32  | 1        | SCREW - SET          | 4931453560                    | 4002395146482 |