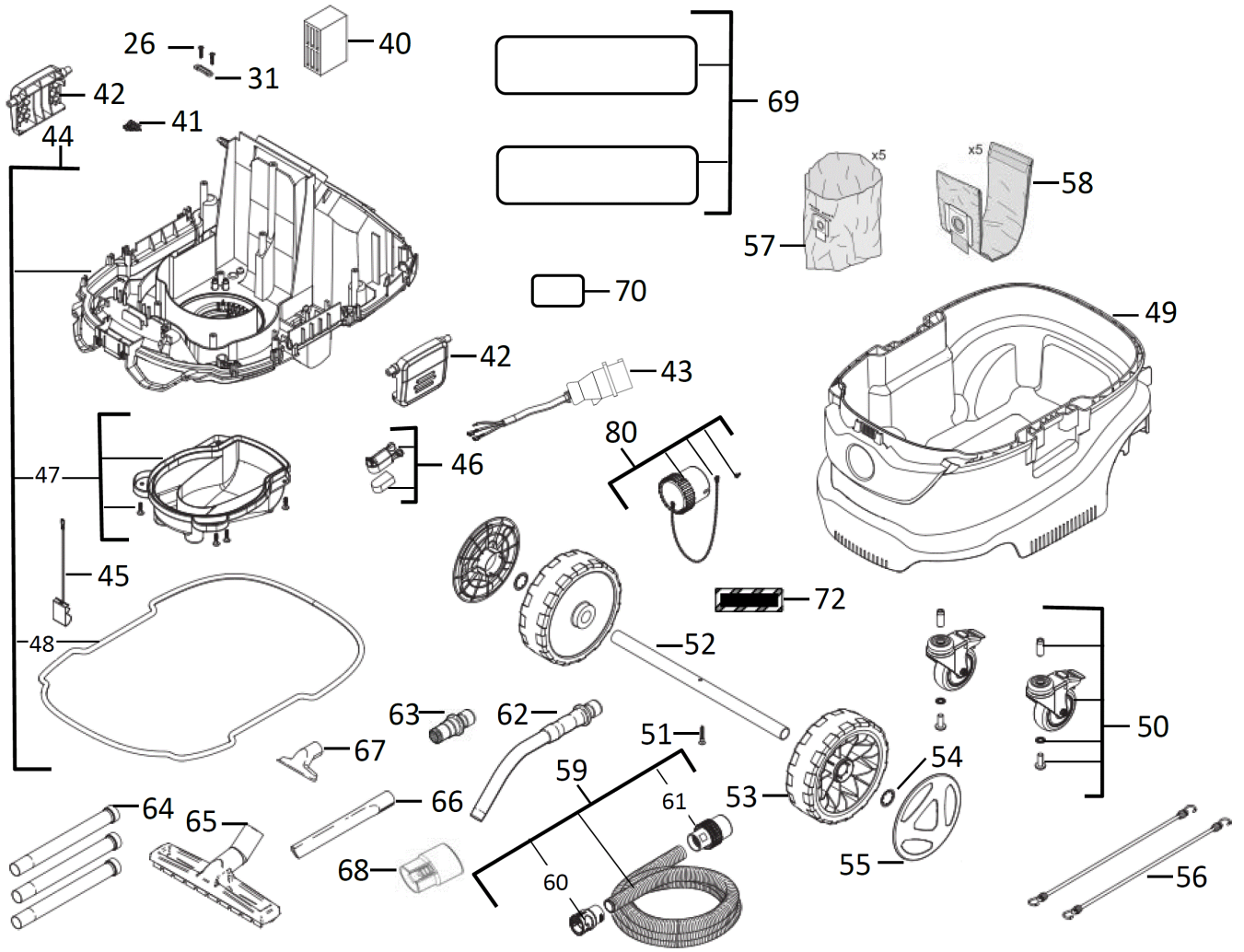


AS-30MAC AC 30L M CLASS ABSAUGSYSTEM GB1

4933459417 - AS-30MACAC30LMCLASS - 4000458805





| Position | Quantity | Description | Part number | EAN |
|----------|----------|------------------------------------|-------------------------------|---------------|
| 0001 1 | 1 | KNOPF | 4931416119 | 4002395805389 |
| 0004 2 | 1 | SCHALTER-SET | 4931461823 | 4058546040567 |
| 0005 3 | 3 | POTENTIOMETER | 4931461824 | 4058546040574 |
| 0006 4 | 1 | ABDECKUNG | 4931461825 | 4058546040581 |
| 0007 5 | 1 | STECKER | Item discontinued(4931416301) | |
| 0009 6 | 2 | KNOPF | 4931461826 | 4058546040598 |
| 0010 7 | 1 | KONTROLLEUCHTE | 4931461868 | 4058546229689 |
| 0011 8 | 1 | BEDIENUNGSKONSOLE | 4931461869 | 4058546229696 |
| 0012 9 | 1 | HANDGRIFF-SET | 4931461828 | 4058546040611 |
| 0013 10 | 1 | PART NOT DETAILED | 1000063920 | |
| 0014 11 | 1 | GEHAEUSEDECKEL | 4931461830 | 4058546040635 |
| 0015 12 | 17 | SCHRAUBE | 4931448663 | 4002395261819 |
| 0016 13 | 1 | GEHAEUSEDECKEL | 4931461831 | 4058546040642 |
| 0017 14 | 1 | GURT | 4931461832 | 4058546040659 |
| 0018 15 | 1 | KLAMMER | 4931461833 | 4058546040666 |
| 0019 16 | 1 | GEHAEUSEDECKEL ROT | 4931461834 | 4058546040673 |
| 0020 17 | 2 | HAKEN | 4931461835 | 4058546040680 |
| 0021 18 | 1 | AUFKLEBER | 4931461870 | 4058546229702 |
| 0022 19 | 1 | RAHMENABDECKUNG | Item discontinued(4931461879) | |
| 0023 20 | 1 | SPULE | Item discontinued(4931461880) | |
| 0024 21 | 1 | DICHTUNG | 4931461838 | 4058546040710 |
| 0025 22 | 1 | PTFE Flachfilterelement f. AS30/42 | 4932459687 | 4058546028596 |
| 0026 23 | 4 | SCHRAUBE | 4931448666 | 4002395258420 |
| 0027 24 | 1 | SCHAUMSTOFFEINLAGE | 4931461839 | 4058546040727 |
| 0028 25 | 1 | HALTERUNG | 4931461840 | 4058546040734 |
| 0029 26 | 1 | FUEHLER | 4931461841 | 4058546040741 |
| 0030 27 | 1 | ELEKTRONIK | Item discontinued(4931461881) | |
| 0031 28 | 2 | KA-BINDER | Item discontinued(4931416316) | |
| 0032 29 | 1 | DIFFUSER | 4931461843 | 4058546040765 |
| 0033 30 | 1 | ABDECKUNG | 4931461844 | 4058546040772 |
| 0034 31 | 1 | MOTOREINHEIT | Item discontinued(4931461882) | |
| 0035 32 | 1 | GEHAEUSEDECKEL | 4931461872 | 4058546229726 |
| 0036 33 | 1 | FUEHLER | 4931461873 | 4058546229733 |
| 0037 34 | 1 | FUEHLER | 4931461874 | 4058546229740 |
| 0038 35 | 1 | FUEHLER | 4931461875 | 4058546229757 |
| 0039 36 | 1 | KONDENSATOR | 4931461847 | 4058546229474 |
| 0040 37 | 1 | DAEMPFER | 4931461848 | 4058546229481 |
| 0041 38 | 1 | VERBINDUNGSSET | Item discontinued(4931416317) | |
| 0042 39 | 2 | KLAMMER | 4931461849 | 4058546229498 |
| 0043 40 | 1 | ANSCHLUSSLEITUNG | Item discontinued(4931416311) | |
| 0044 41 | 1 | GEHAEUSE | 4931461850 | 4058546229504 |
| 0045 42 | 1 | KONTAKTFEDER | 4931461851 | 4058546229511 |
| 0046 43 | 1 | MAGNETSCHEIBENAUFN. | 4931461852 | 4058546229528 |
| 0047 44 | 1 | ABDECKUNG | 4931461853 | 4058546229535 |
| 0048 45 | 1 | DICHTUNG | 4931461854 | 4058546229542 |
| 0049 46 | 1 | BEHAELTER | 4931461855 | 4058546229559 |
| 0050 47 | 1 | ROLLE | 4931461856 | 4058546229566 |
| 0051 48 | 1 | SCHRAUBE | 4931461857 | 4058546229573 |
| 0052 49 | 1 | ACHSE | 4931416336 | 4002395797998 |
| 0053 50 | 2 | ROLLE | 4931461858 | 4058546229580 |

| Position | Quantity | Description | Part number | EAN |
|----------|----------|-----------------------------------|-------------------------------|---------------|
| 0054 51 | 2 | RING | 4931416339 | 4002395795185 |
| 0055 52 | 2 | ABDECKUNG | 4931461859 | 4058546229597 |
| 0056 53 | 1 | GURT | 4931461860 | 4058546229603 |
| 0057 54 | 1 | Entsorgungssack 30l fuer AS 30/42 | 4932459690 | 4058546028626 |
| 0058 55 | 1 | FILTERSACK VLIES (5) fuer AS30/42 | 4932459689 | 4058546028619 |
| 0059 56 | 1 | SAUGSCHLAUCH | 4931461861 | 4058546229610 |
| 0060 57 | 1 | ANSCHLUSSMUFFE | 4931461862 | 4058546229627 |
| 0061 58 | 1 | MUFFE | 4931416458 | 4002395847167 |
| 0062 59 | 1 | Handrohr gebogen | 4931416166 | 4002395805495 |
| 0063 60 | 1 | MUFFE | 4931416173 | 4002395805501 |
| 0064 61 | 1 | SAUGROHR (3 St.) | 4931461863 | 4058546229634 |
| 0065 62 | 1 | BODENDUESE | 4931448691 | 4002395256471 |
| 0066 63 | 1 | DUESE | 4931416284 | 4002395797097 |
| 0067 64 | 1 | DUESE | 4931416283 | 4002395797080 |
| 0068 65 | 1 | VERBINDUNGSSTUECK | 4931447294 | 4002395251490 |
| 0069 66 | 1 | LEISTUNGSSCHILD | Item discontinued(4931461884) | |
| 0070 67 | 1 | AUFKLEBER | Item discontinued(4931461885) | |
| 0071 68 | 1 | KOHLEBUERSTEN-SET | Item discontinued(4931461886) | |
| 0072 69 | 1 | AUFKLEBER | 4931461877 | 4058546229771 |
| 0080 70 | 1 | ABDECKUNG | 4931479727 | 4058546394905 |