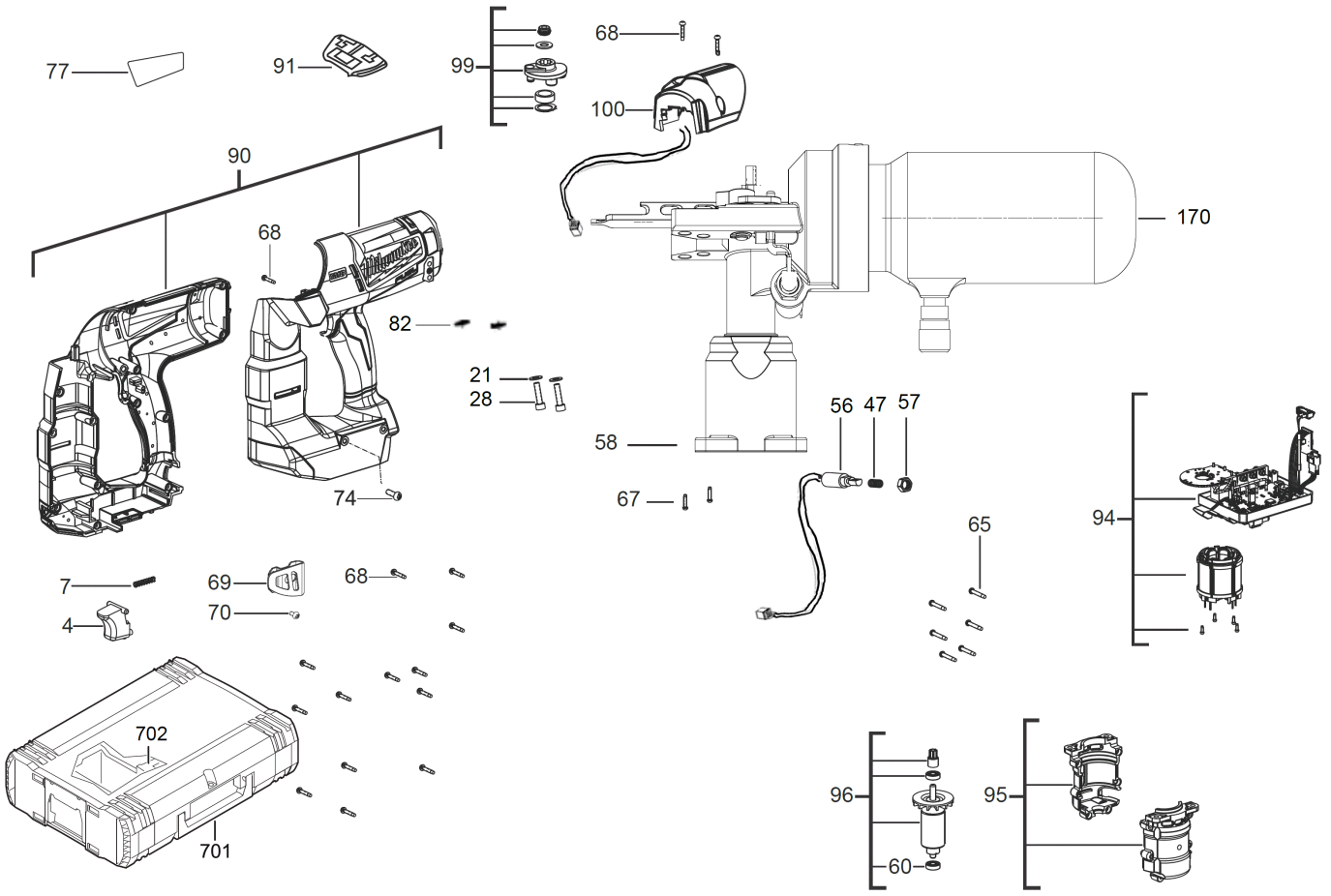
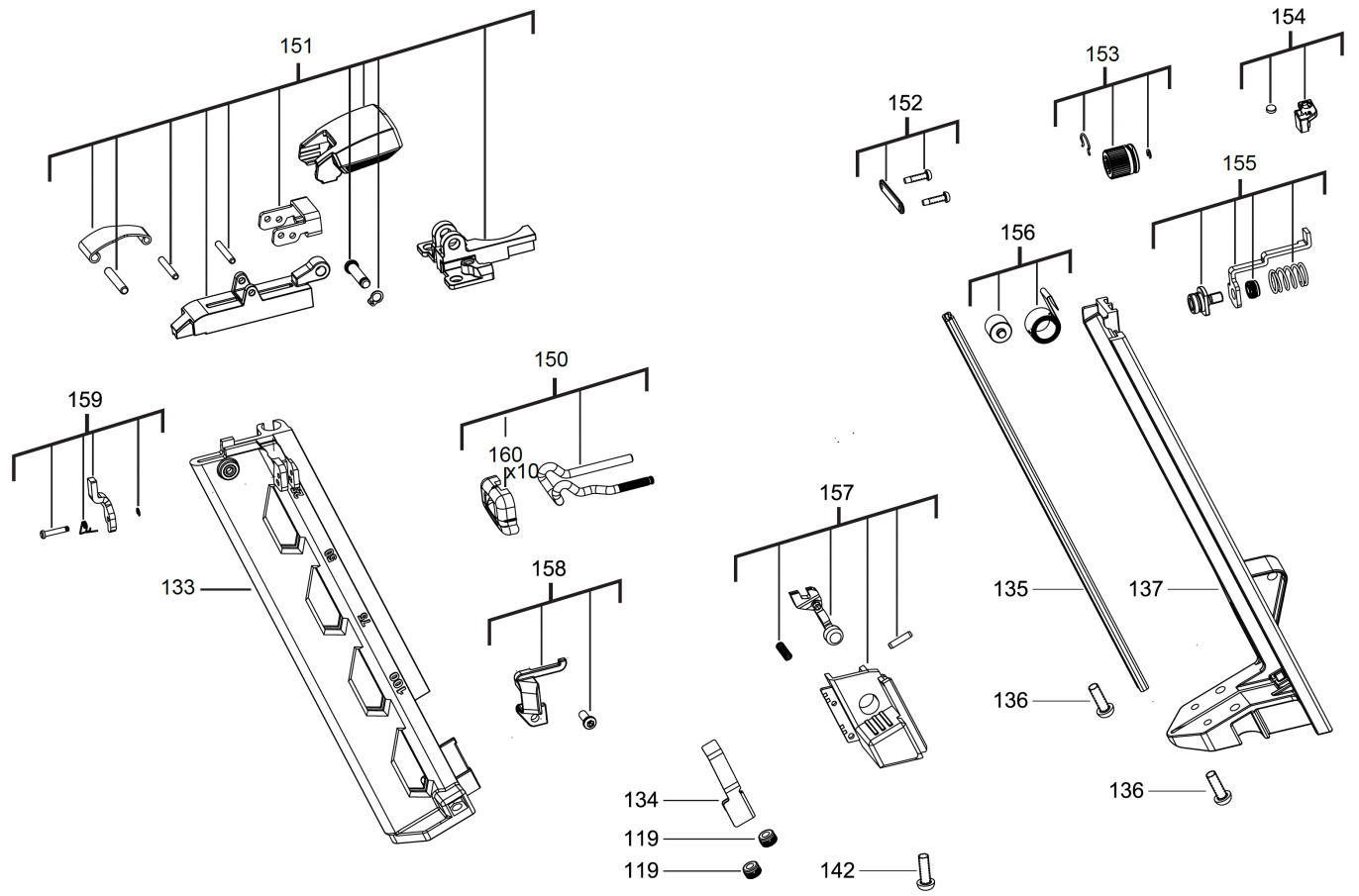


M18CN15GA-0X AKKU NAGLER XXX

4933459633 - M18CN15GA-0X - 4000458942







| Position | Quantity | Description | Part number | EAN |
|----------|----------|----------------------|-------------------------------|---------------|
| 0004 1 | 1 | DRUECKER | 4931453960 | 4002395281879 |
| 0007 2 | 1 | FEDER | 4931453961 | 4002395281886 |
| 0021 3 | 2 | SCHEIBE | 4931453965 | 4002395282524 |
| 0028 4 | 2 | SCHRAUBE | 4931453966 | 4002395282531 |
| 0047 5 | 1 | FEDER | 4931453967 | 4002395282548 |
| 0056 6 | 1 | MAGNET | 4931453968 | 4002395282555 |
| 0057 7 | 1 | MUTTER | 4931453969 | 4002395282562 |
| 0058 8 | 1 | MOTORPLATTE | Item discontinued(4931453970) | |
| 0060 9 | 1 | KUGELLAGER | 4931453971 | 4002395282586 |
| 0065 10 | 6 | SCHRAUBE | Item discontinued(4931436225) | |
| 0067 11 | 4 | SCHRAUBE | 4931435661 | 4002395863655 |
| 0068 12 | 16 | SCHRAUBE | 4931453227 | 4002395153206 |
| 0069 13 | 1 | HALTER | 4931453220 | 4002395152537 |
| 0070 14 | 1 | SCHRAUBE | 4931436566 | 4002395257638 |
| 0074 15 | 1 | SCHRAUBE | 4931453972 | 4002395282593 |
| 0077 16 | 1 | LEISTUNGSSCHILD | 4931461718 | 4058546039516 |
| 0082 17 | 2 | HALTERING | 4931453975 | 4002395283224 |
| 0090 18 | 1 | GEHAEUSE | 4931453976 | 4002395283231 |
| 0091 19 | 1 | DRUECKER | 4931453977 | 4002395283248 |
| 0094 20 | 1 | ELEKTRIK VOLLST. | 4931453980 | 4002395283279 |
| 0095 21 | 1 | MOTORGEHAEUSE | Item discontinued(4931453981) | |
| 0096 22 | 1 | ANKER F.ELEKTROMOTOR | Item discontinued(4931453982) | |
| 0099 23 | 1 | EXZENTER | 4931453984 | 4002395280513 |
| 0100 24 | 1 | ABDECKUNG | 4931453985 | 4002395280520 |
| 0119 25 | 2 | MUTTER | 4931453988 | 4002395280551 |
| 0133 26 | 1 | MAGAZIN | Item discontinued(4931461719) | |
| 0134 27 | 1 | FEDERBLECH | Item discontinued(4931453990) | |
| 0135 28 | 1 | FUEHRUNGSSTUECK | 4931461720 | 4058546039530 |
| 0136 29 | 2 | SCHRAUBE | 4931453992 | 4002395280599 |
| 0137 30 | 1 | FUEHRUNGSSCHIENE | 4931461721 | 4058546039547 |
| 0142 31 | 2 | SCHRAUBE | 4931453972 | 4002395282593 |
| 0150 32 | 1 | ENTRIEGELUNGSSET | 4931453995 | 4002395281220 |
| 0151 33 | 1 | AUFNAHMESTUECK | 4931461722 | 4058546039554 |
| 0152 34 | 1 | BEFESTIGUNGS-SATZ | 4931453997 | 4002395281244 |
| 0153 35 | 1 | TIEFENANSCHLAG | 4931453998 | 4002395281251 |
| 0154 36 | 1 | MAGNET | 4931453999 | 4002395281268 |
| 0155 37 | 1 | PUFFER | 4931454000 | 4002395281275 |
| 0156 38 | 1 | ROLLE | Item discontinued(4931454001) | |
| 0157 39 | 1 | HALTERUNG | 4931461723 | 4058546039561 |
| 0158 40 | 1 | TIEFENANSCHLAG | 4931454003 | 4002395281909 |
| 0159 41 | 1 | ANSCHLAG | 4931454004 | 4002395281916 |
| 0160 42 | 1 | KAPPE | 4931454192 | 4002395285068 |
| 0170 43 | 1 | ZYLINDER | Item discontinued(4931461724) | |
| 0701 44 | 1 | HD Box Groesse 3 | 4932453386 | 4002395143634 |
| 0702 45 | 1 | EINSATZ | Item discontinued(4931454046) | |