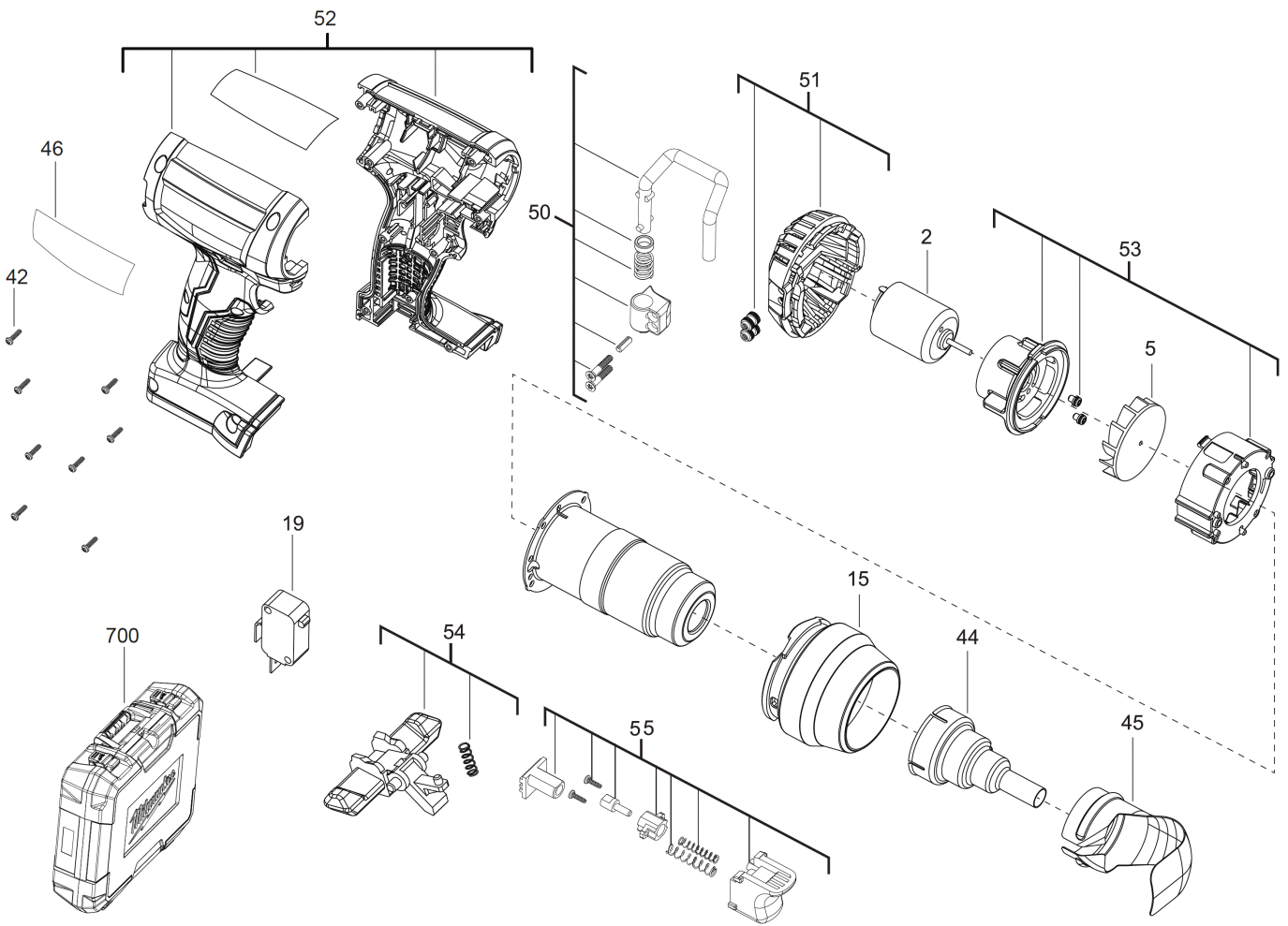


# M18BHG-502C AK.HEISSLUFTGEBLAESE IN2

4933459772 - M18BHG-502C - 4000460901





Position	Quantity	Description	Part number	EAN
1	1	PART NOT DETAILED	1000063920	
0002 2	1	MOTOR	4931461760	4058546039936
0005 3	1	VENTILATOR	4931461761	4058546039943
0015 4	1	LAGERHALS M.HUELSE	4931461762	4058546039950
0019 5	1	SCHALTER	4931461763	4058546039967
0042 6	8	SCHRAUBE	4931461764	4058546039974
0044 7	1	RUNDSTRAHLDUESE	4931461765	4058546039981
0045 8	1	REFLEKTORDUESE	4931461766	4058546039998
0046 9	1	LEISTUNGSSCHILD	4931461767	4058546040000
0050 10	1	HAKEN	4931461768	4058546040017
0051 11	1	DECKEL-SET	4931461769	4058546040024
0052 12	1	GEHAEUSE	4931461770	4058546040031
0053 13	1	MOTORTRAEGER	4931461771	4058546040048
0054 14	1	EINSCHALTSPERRE	4931461772	4058546040055
0055 15	1	DRUECKER	4931461773	4058546040062
0700 16	1	TRANSPORTKOFFER	4931461774	4058546040079
17	1	M12-18C LADEGERAeT IN2	4932352959	4002395376179
18	2	M18B5 LI-ION AKKUMULATOR 5.0AH XXX	4932430483	4002395381449