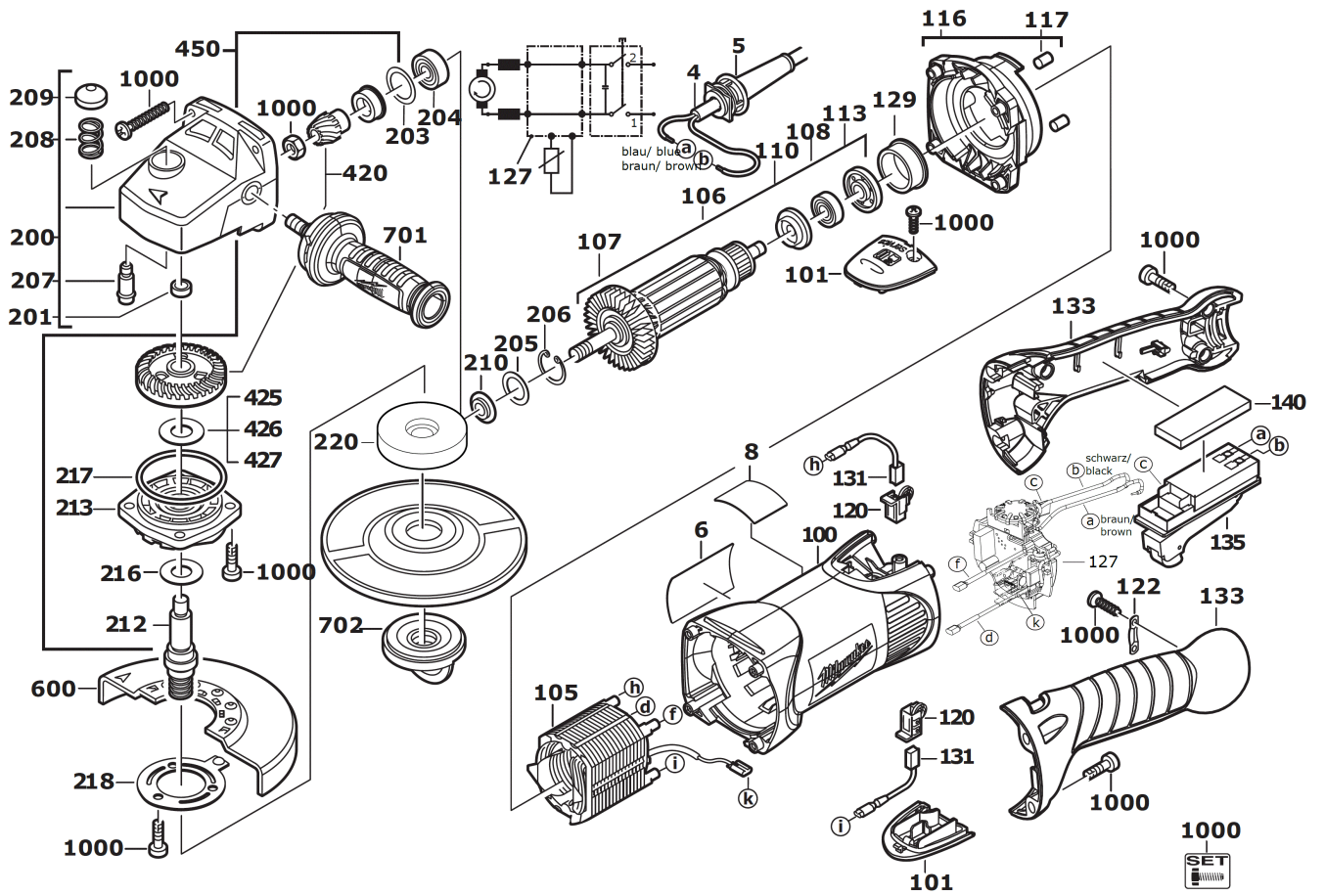


AGV17-125XE WINKELSCHLEIFER GB1

4933449660 - AGV17-125XE GB1 - 4000463775





| Position | Quantity | Description | Part number | EAN |
|----------|----------|---------------------------------|-------------|---------------|
| 0004 1 | 1 | ANSCHLUSSLEITUNG | 4931624233 | 4002395717347 |
| 0005 2 | 1 | KABELSCHUTZSCHLAUCH | 4931409552 | 4002395801107 |
| 0006 3 | 1 | LEISTUNGSSCHILD | 4931463778 | 4058546036560 |
| 0008 4 | 1 | AUFKLEBER | 4931442232 | 4002395873579 |
| 0100 5 | 1 | MOTORGEHAEUSE MI-RT | 4931432246 | 4002395897506 |
| 0101 6 | 2 | DECKEL | 4931378566 | 4002395684199 |
| 0105 7 | 1 | FELD F. ELEKTROMOTOR | 4931463368 | 4002395176014 |
| 0106 8 | 1 | ANKER 110V | 4931449668 | 4002395181643 |
| 0107 9 | 1 | VENTILATOR | 4931341088 | 4002395626205 |
| 0108 10 | 1 | KUGELLAGER | 4931624662 | 4002395790890 |
| 0110 11 | 1 | ISOLIERSCHEIBE | 4931271823 | 4002395588138 |
| 0113 12 | 1 | MAGNETSCHEIBE | 4931426570 | 4002395856497 |
| 0116 13 | 1 | Zwischenflansch | 4931395204 | 4002395827701 |
| 0117 14 | 2 | NIEDERHALTER | 4931409768 | 4002395847617 |
| 0120 15 | 2 | BUERSTENHALTER | 4931382268 | 4002395690961 |
| 0122 16 | 1 | KABELSCHELLE | 4931256500 | 4002395586547 |
| 0127 17 | 1 | ELECTRONIK-BAUSTEIN | 4931463372 | 4058546245016 |
| 0129 18 | 1 | LAGERBUECHSE | 4931326953 | 4002395607846 |
| 0131 19 | 1 | KOHLBUERSTEN-SET | 4931381391 | 4002395726936 |
| 0133 20 | 1 | HANDGRIFF | 4931378765 | 4002395684595 |
| 0135 21 | 1 | SCHALTER-SET | 4931407238 | 4002395792689 |
| 0140 22 | 1 | DICHTUNG | 4931407251 | 4002395790760 |
| 0200 23 | 1 | GETRIEBEKASTEN | 4931412193 | 4002395798919 |
| 0201 24 | 1 | Nadelhuelse | 4931912093 | 4002395706464 |
| 0203 25 | 1 | SCHEIBE | 4931362085 | 4002395660254 |
| 0204 26 | 1 | RILLENKUGELLAGER | 4931368037 | 4002395670642 |
| 0205 27 | 1 | SCHEIBE | 4931622761 | 4002395699056 |
| 0206 28 | 1 | SPERRING | 4931616614 | 4002395694624 |
| 0207 29 | 1 | ARRETIERBOLZEN | 4931326929 | 4002395607785 |
| 0208 30 | 1 | DRUCKFEDER | 4931326942 | 4002395607822 |
| 0209 31 | 1 | DRUECKER | 4931326930 | 4002395607792 |
| 0210 32 | 1 | SCHEIBE | 4931624287 | 4002395732098 |
| 0212 33 | 1 | SPINDEL | 4931369840 | 4002395674305 |
| 0213 34 | 1 | LAGERSCHILD | 4931378310 | 4002395683789 |
| 0216 35 | 1 | SCHEIBE | 4931623480 | 4002395702398 |
| 0217 36 | 1 | DICHTRING | 4931623590 | 4002395702992 |
| 0218 37 | 1 | FEDERSCHEIBE | 4931345965 | 4002395633623 |
| 0220 38 | 1 | AUTOBALANCER | 4931369832 | 4002395674282 |
| 0420 39 | 1 | KEGELRADPAAR | 4931369937 | 4002395674510 |
| 0425 40 | 1 | SCHEIBE | 4931808473 | 4002395727544 |
| 0426 41 | 1 | SCHEIBE | 4931925940 | 4002395706624 |
| 0427 42 | 1 | SCHEIBE | 4931624256 | 4002395723379 |
| 0450 43 | 1 | ANTRIEB | 4931391475 | 4002395735877 |
| 0600 44 | 1 | SCHUTZHAUBE 125 SW | 4931407642 | 4002395798834 |
| 0701 45 | 1 | ZUSATZHANDGRIFF | 4931432245 | 4002395898886 |
| 0702 46 | 1 | FIXTEC MUTTER MILWAUKEE M14 SNP | 4932352473 | 4002395371327 |
| 1000 47 | 1 | VERBINDUNGSSET | 4931432260 | 4002395893454 |