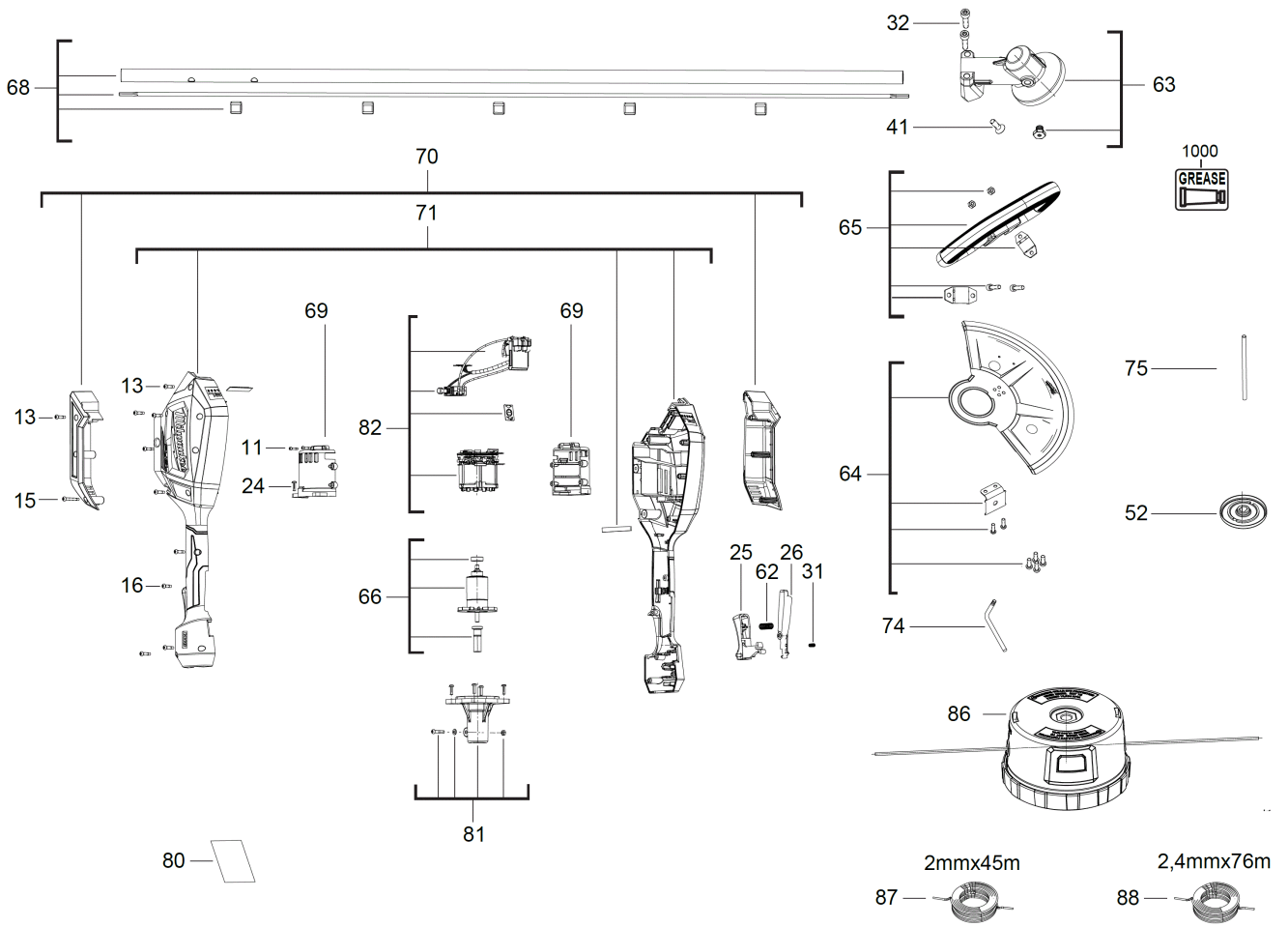


M18CLT-0 AKKU-RASENTRIMMER XXX

4933459345 - M18CLT-0 - 4000467236





| Position | Quantity | Description | Part number | EAN |
|----------|----------|--|-------------------------------|---------------|
| 0011 1 | 6 | SCHRAUBE | 660570005 | 4002395827329 |
| 0013 2 | 9 | SCHRAUBE | 660024030 | 4002395826957 |
| 0015 3 | 2 | SCHRAUBE | 4931435023 | 4002395857302 |
| 0016 4 | 1 | SCHRAUBE | 4931454800 | 4058546014179 |
| 0024 5 | 4 | SCHRAUBE | 4931454146 | 4002395285600 |
| 0025 6 | 1 | DRUECKER | 4931454801 | 4058546014186 |
| 0026 7 | 1 | DRUECKER | 4931454802 | 4058546014193 |
| 0031 8 | 1 | FEDER | 4931454803 | 4058546014209 |
| 0032 9 | 2 | SCHRAUBE | 4931465533 | 4058546236335 |
| 0041 10 | 1 | SCHRAUBE | 4931454805 | 4058546014223 |
| 0052 11 | 1 | HALTEPLATTE | 4931454806 | 4058546014230 |
| 0062 12 | 1 | FEDER | 4931454808 | 4058546014254 |
| 0063 13 | 1 | GETRIEBE | 4931454809 | 4058546014261 |
| 0064 14 | 1 | ABDECKUNG | 4931454810 | 4058546014278 |
| 0065 15 | 1 | BUEGELGRIFF | 4931454811 | 4058546014285 |
| 0066 16 | 1 | ANKER F.ELEKTROMOTOR | Item discontinued(4931454812) | |
| 0068 17 | 1 | ROHR | 4931454813 | 4058546014308 |
| 0069 18 | 1 | GEHAEUSE | 4931454814 | 4058546014315 |
| 0070 19 | 1 | GEHAEUSE | 4931454815 | 4058546014322 |
| 0071 20 | 1 | GEHAEUSE | 4931454816 | 4058546014339 |
| 0074 21 | 1 | SCHLUESSEL | 4931454817 | 4058546014346 |
| 0075 22 | 1 | HALTESTIFT | 4931454818 | 4058546014353 |
| 0080 23 | 1 | LEISTUNGSSCHILD | 4931454819 | 4058546014360 |
| 0081 24 | 1 | BEFESTIGUNGSTEIL | Item discontinued(4931454820) | |
| 0082 25 | 1 | FELD F. ELEKTROMOTOR | 4931454821 | 4058546014384 |
| 0086 26 | 1 | Doppelfadenkopf u. -spule, 2,0mm M18 CLT | 4932480180 | 4058546404659 |
| 0087 27 | 1 | Schneidfaden 45m, Faden 2,0 mm | 49162712 | 45242493906 |
| 0088 28 | 1 | Schneidfaden 76m, Faden 2,4 mm | 49162713 | 45242493913 |
| 1000 29 | 1 | GETRIEBEFETT | 4931443288 | 4002395255627 |