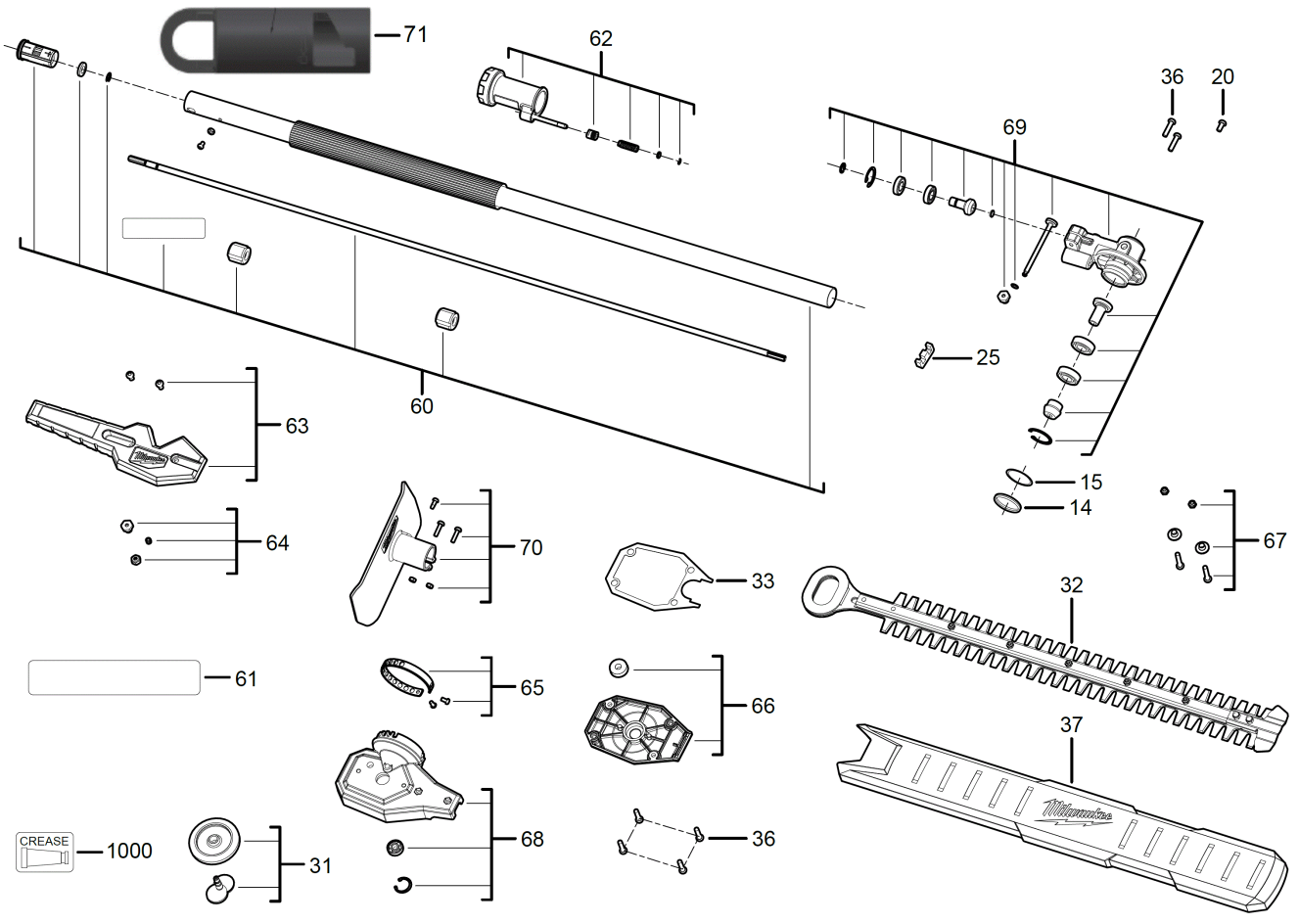


M18FOPH-HTA HECKENSCHEREN-AUFSATZ XXX

4932464959 - M18FOPH-HTA - 4000469778





| Position | Quantity | Description | Part number | EAN |
|----------|----------|-------------------|-------------|---------------|
| 0014 1 | 1 | O-RING | 4931466892 | 4058546281090 |
| 0015 2 | 1 | SCHEIBE | 4931466893 | 4058546281106 |
| 0020 3 | 1 | SCHRAUBE | 4931466691 | 4058546279080 |
| 0025 4 | 1 | DICHTUNG | 4931466894 | 4058546281113 |
| 0031 5 | 1 | KURBELWELLE | 4931466895 | 4058546281120 |
| 0032 6 | 1 | KLINGE | 4931466896 | 4058546281137 |
| 0033 7 | 1 | DICHTUNG | 4931466897 | 4058546281144 |
| 0036 8 | 6 | SCHRAUBE | 4931466683 | 4058546279004 |
| 0037 9 | 1 | SCHUTZ | 4931466898 | 4058546281151 |
| 0060 10 | 1 | HALTESTANGE | 4931466899 | 4058546281168 |
| 0061 11 | 1 | LEISTUNGSSCHILD | 4931466900 | 4058546281175 |
| 0062 12 | 1 | HANDGRIFF-SET | 4931466901 | 4058546281182 |
| 0063 13 | 1 | ABDECKUNG | 4931466902 | 4058546281199 |
| 0064 14 | 1 | BEFESTIGUNGSTEILE | 4931466903 | 4058546281205 |
| 0065 15 | 1 | ARRETIERBLECH | 4931466904 | 4058546281212 |
| 0066 16 | 1 | ABDECKUNG | 4931466905 | 4058546281229 |
| 0067 17 | 1 | BEFESTIGUNGSTEILE | 4931466906 | 4058546281236 |
| 0068 18 | 1 | GEHAEUSE | 4931466907 | 4058546281243 |
| 0069 19 | 1 | GETRIEBEKASTEN | 4931466908 | 4058546281250 |
| 0070 20 | 1 | ABDECKUNG | 4931466909 | 4058546281267 |
| 0071 21 | 1 | HAKEN | 4931472309 | 4058546285265 |
| 1000 22 | 1 | GETRIEBEFETT | 4931443288 | 4002395255627 |