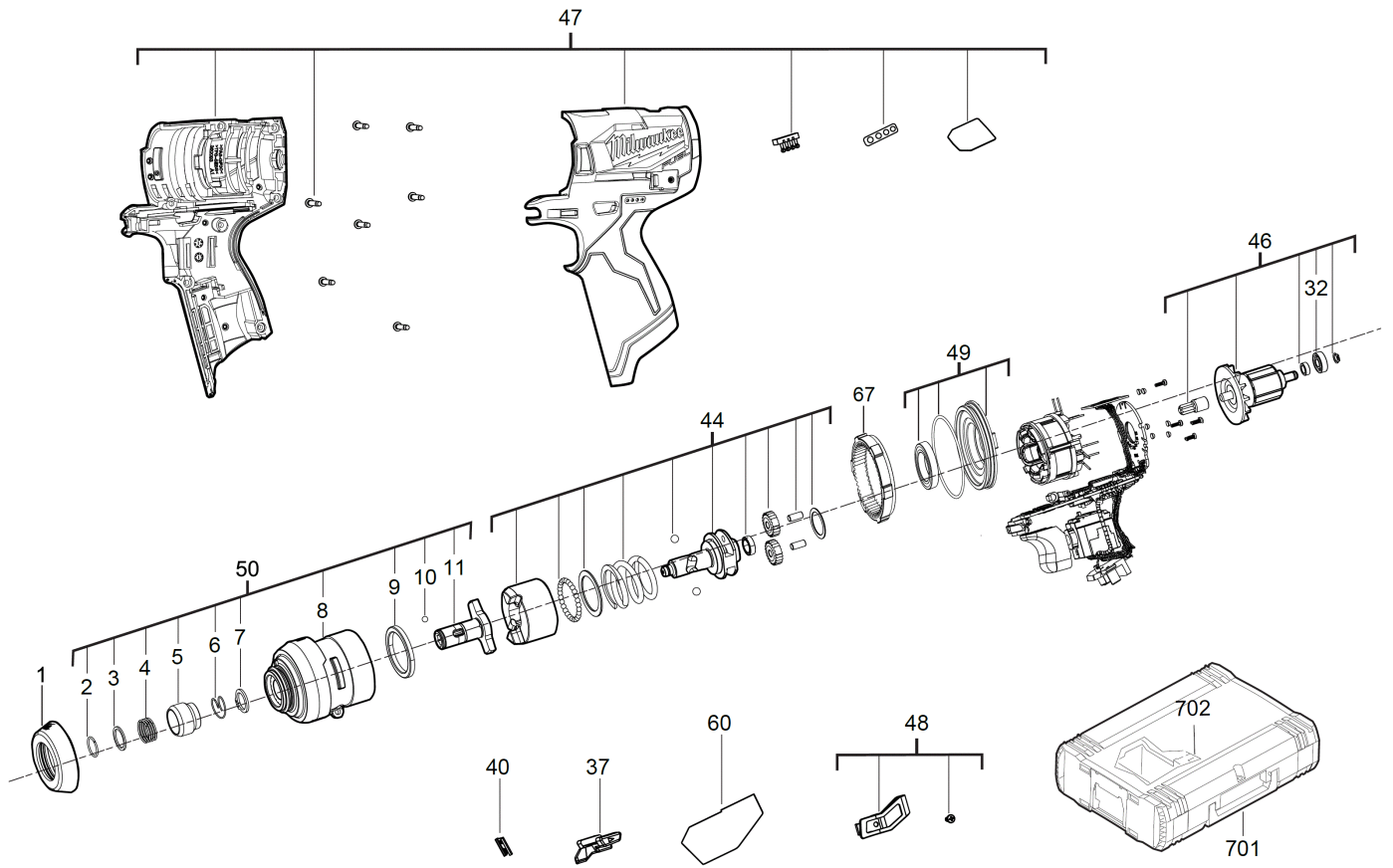


M12FID-202X AK.-SCHLAGSCHRAUBER IN2

4933459823 - M12FID-202X - 4000474345





| Position | Quantity | Description | Part number | EAN |
|----------|----------|------------------------------------|-------------------------------|---------------|
| 1 | 1 | PART NOT DETAILED | 1000063920 | |
| 0001 2 | 1 | GUMMIKAPPE | 4931465195 | 4058546232955 |
| 0002 3 | 1 | HALTERING | 4931440469 | 4002395892068 |
| 0003 4 | 1 | SCHEIBE | 4931466862 | 4058546280796 |
| 0004 5 | 1 | FEDER | 4931440467 | 4002395892044 |
| 0005 6 | 1 | HUELSE | 4931454722 | 4058546013394 |
| 0006 7 | 1 | FEDER | 4931435385 | 4002395890019 |
| 0007 8 | 1 | HALTERING | 4931454723 | 4058546013400 |
| 0008 9 | 1 | GETRIEBEGEHAEUSE | 4931472349 | 4058546285661 |
| 0009 10 | 1 | RING | 4931435780 | 4002395867578 |
| 0010 11 | 1 | KUGEL | 4931440304 | 4002395891443 |
| 0011 12 | 1 | SCHLAGBOLZEN | 4931465197 | 4058546232979 |
| 0032 13 | 1 | KUGELLAGER | 681262001 | 4002395806126 |
| 0037 14 | 1 | UMSCHALTER | 4931465198 | 4058546232986 |
| 0040 15 | 1 | VERBINDUNGSSTUECK | 4931436292 | 4002395252909 |
| 0044 16 | 1 | SCHLAGBOLZEN | 4931465199 | 4058546232993 |
| 0046 17 | 1 | ANKER F.ELEKTROMOTOR | Item discontinued(4931465201) | |
| 0047 18 | 1 | GEHAEUSE | 4931465202 | 4058546233020 |
| 0048 19 | 1 | HALTER | 4931465203 | 4058546233037 |
| 0049 20 | 1 | GETRIEBEBECKEL | 4931465692 | 4058546237929 |
| 0050 21 | 1 | GETRIEBEKASTEN | 4931472350 | 4058546285678 |
| 0060 22 | 1 | LEISTUNGSSCHILD | 4931472351 | 4058546285685 |
| 0067 23 | 1 | HOHLRAD | 4931472352 | 4058546285692 |
| 0701 24 | 1 | HD Box Groesse 1 | 4932453385 | 4002395146376 |
| 0702 25 | 1 | EINSATZ | 4931465207 | 4058546233075 |
| 26 | 1 | M12-18C LADEGERAeT IN2 | 4932352959 | 4002395376179 |
| 27 | 2 | M12B2 LI-ION AKKUMULATOR 2.0AH XXX | 4932430064 | 4002395377251 |