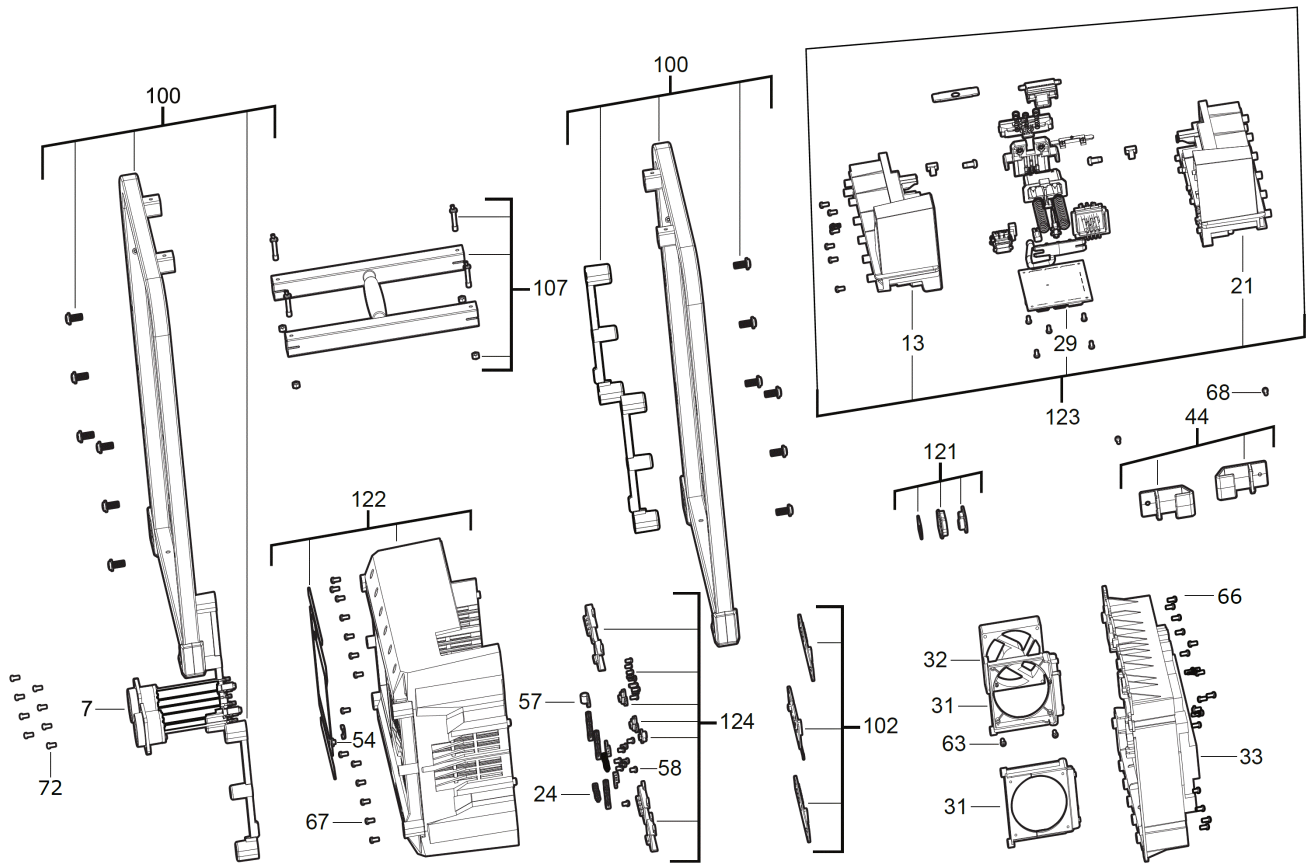
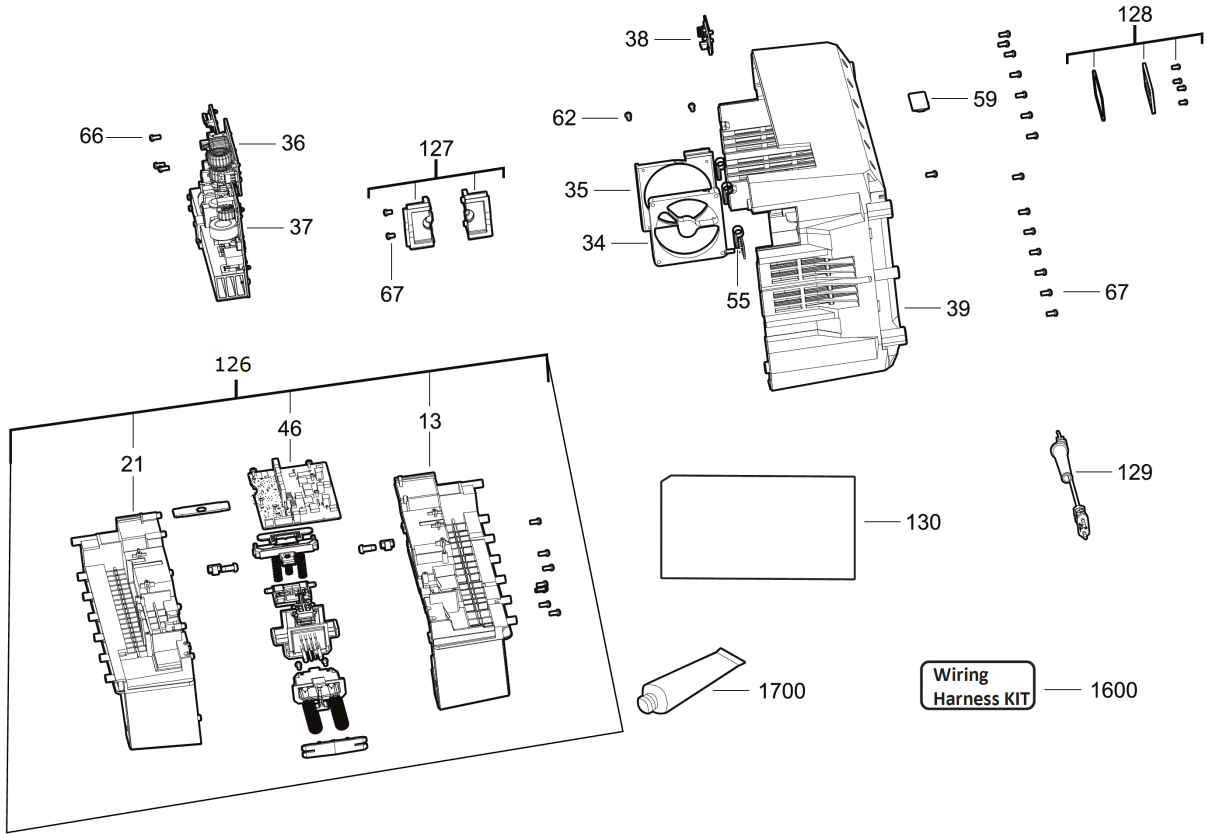


MXFPS-0 Inverter/Wechselricht NOSALE IN2

4933479371 - MXFPS-0 (NO SALE) - 4000481220





| Position | Quantity | Description | Part number | EAN |
|----------|----------|----------------------|-------------|---------------|
| 0007 1 | 2 | STECKDOSE | 4931494366 | 4058546469382 |
| 0013 2 | 2 | BATTERIEGEHAEUSE | 4931494367 | 4058546469399 |
| 0021 3 | 2 | BATTERIEGEHAEUSE | 4931494368 | 4058546469405 |
| 0024 4 | 1 | TRAEGER | 4931494369 | 4058546469412 |
| 0029 5 | 1 | ELEKTRONIK | 4931494370 | 4058546469429 |
| 0031 6 | 2 | VENTILATORGEHAEUSE | 4931494371 | 4058546469436 |
| 0032 7 | 1 | LUEFTER | 4931494372 | 4058546469443 |
| 0033 8 | 1 | ELEKTRONIK | 4931494373 | 4058546469450 |
| 0034 9 | 1 | LUEFTER | 4931494374 | 4058546469467 |
| 0035 10 | 1 | VENTILATORGEHAEUSE | 4931494375 | 4058546469474 |
| 0036 11 | 1 | FELD F. ELEKTROMOTOR | 4931494376 | 4058546469481 |
| 0037 12 | 1 | TRAEGER | 4931494377 | 4058546469498 |
| 0038 13 | 1 | ELEKTRONIK | 4931494378 | 4058546469504 |
| 0039 14 | 1 | GEHAEUSE | 4931494379 | 4058546469511 |
| 0044 15 | 1 | HALTERUNG | 4931494380 | 4058546469528 |
| 0046 16 | 1 | ELEKTRONIK | 4931494381 | 4058546469535 |
| 0054 17 | 1 | SCHRAUBE | 4931494382 | 4058546469542 |
| 0055 18 | 1 | DRAHT | 4931494383 | 4058546469559 |
| 0057 19 | 1 | DRAHT | 4931494384 | 4058546469566 |
| 0058 20 | 20 | SCHRAUBE | 4931494385 | 4058546469573 |
| 0059 21 | 1 | ELEKTRONIK | 4931494386 | 4058546469580 |
| 0062 22 | 8 | SCHRAUBE | 4931494387 | 4058546469597 |
| 0063 23 | 4 | SCHRAUBE | 4931494388 | 4058546469603 |
| 0066 24 | 31 | SCHRAUBE | 4931494389 | 4058546469610 |
| 0067 25 | 32 | SCHRAUBE | 4931494390 | 4058546469627 |
| 0068 26 | 2 | SCHRAUBE | 4931494391 | 4058546469634 |
| 0072 27 | 8 | SCHRAUBE | 4931494392 | 4058546469641 |
| 0100 28 | 2 | TRAEGER | 4931494393 | 4058546469658 |
| 0102 29 | 1 | SERVICE-SATZ | 4931494394 | 4058546469665 |
| 0107 30 | 1 | TRAEGER | 4931494395 | 4058546469672 |
| 0121 31 | 1 | SERVICE-SATZ | 4931494396 | 4058546469689 |
| 0122 32 | 1 | GEHAEUSE | 4931494397 | 4058546469696 |
| 0123 33 | 1 | ELEKTRONIK | 4931494398 | 4058546469702 |
| 0124 34 | 1 | EINBAUSATZ | 4931494399 | 4058546469719 |
| 0126 35 | 1 | SERVICE-SATZ | 4931494400 | 4058546469726 |
| 0127 36 | 1 | SERVICE-KIT | 4931494401 | 4058546469733 |
| 0128 37 | 1 | GEHAEUSEDECKEL | 4931494402 | 4058546469740 |
| 0129 38 | 1 | ELEKTRISCHES KABEL | 4931494403 | 4058546469757 |
| 0130 39 | 1 | LEISTUNGSSCHILD | 4931494404 | 4058546469764 |
| 1600 40 | 1 | DRAHT | 4931494405 | 4058546469771 |