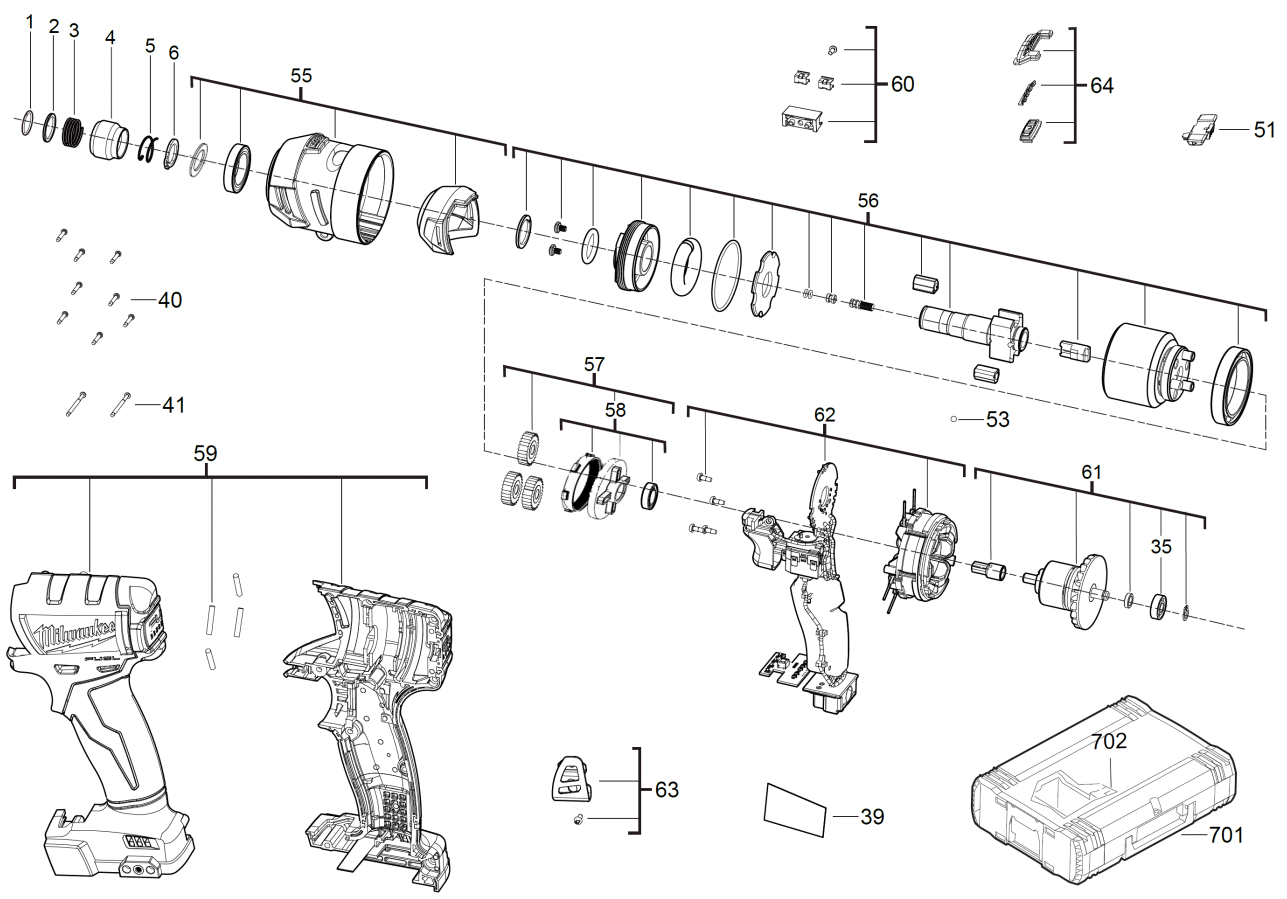


**M18FQID-502X SCHLAGSCHR.  
GERAeUSCHARM IN**

**4933451790 - M18FQID-502X - 4000481242**







| Position | Quantity | Description               | Part number                   | EAN           |
|----------|----------|---------------------------|-------------------------------|---------------|
| 1        | 1        | PART NOT DETAILED         | 1000063920                    |               |
| 0001 2   | 1        | HALTERING                 | 4931440469                    | 4002395892068 |
| 0002 3   | 1        | SCHEIBE                   | 4931466862                    | 4058546280796 |
| 0003 4   | 1        | FEDER                     | 4931440467                    | 4002395892044 |
| 0004 5   | 1        | HUELSE                    | 4931454722                    | 4058546013394 |
| 0005 6   | 1        | FEDER                     | 4931435385                    | 4002395890019 |
| 0006 7   | 1        | HALTERING                 | 4931454723                    | 4058546013400 |
| 0035 8   | 1        | KUGELLAGER                | 681262001                     | 4002395806126 |
| 0039 9   | 1        | LEISTUNGSSCHILD           | 4931480419                    | 4058546424343 |
| 0040 10  | 8        | SCHRAUBE                  | 4931453227                    | 4002395153206 |
| 0041 11  | 2        | SCHRAUBE                  | 4931453244                    | 4002395153978 |
| 0051 12  | 1        | UMSCHALTER                | 4931453243                    | 4002395153961 |
| 0053 13  | 1        | KUGEL                     | 4931440304                    | 4002395891443 |
| 0055 14  | 1        | GETRIEBEKOPF              | 4931480420                    | 4058546424350 |
| 0056 15  | 1        | SCHLAGBOLZEN              | 4931454726                    | 4058546013431 |
| 0057 16  | 1        | ABSCHLUSSKAPPE            | 4931480421                    | 4058546424367 |
| 0058 17  | 1        | ABSCHLUSSKAPPE            | 4931480422                    | 4058546424374 |
| 0059 18  | 1        | GEHAEUSE                  | 4931454729                    | 4058546013462 |
| 0060 19  | 1        | BITHALTER                 | 4931453253                    | 4002395157563 |
| 0061 20  | 1        | ROTOR                     | 4931480423                    | 4058546424381 |
| 0062 21  | 1        | SCHALTELEKTRONIK          | 4931454731                    | 4058546013486 |
| 0063 22  | 1        | Guertelcliphalter         | 4931453252                    | 4002395157556 |
| 0064 23  | 1        | UMSCHALTER                | 4931454732                    | 4058546013493 |
| 0702 24  | 1        | EINSATZ M18F -ID / M18ONE | Item discontinued(4931453510) |               |