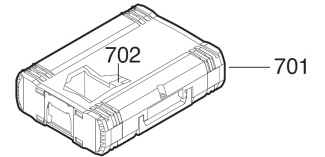
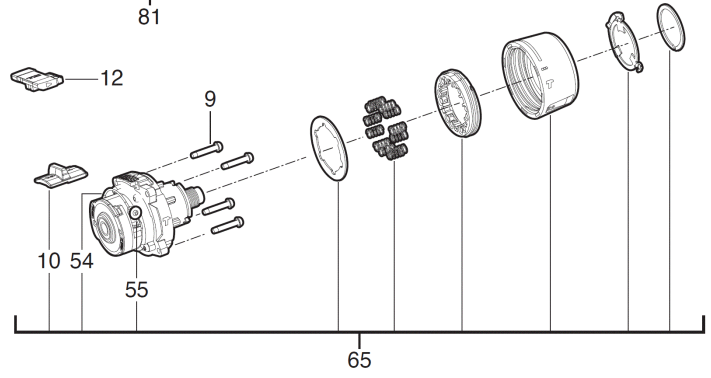
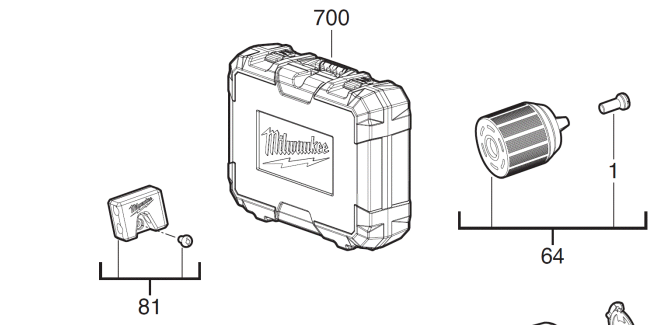
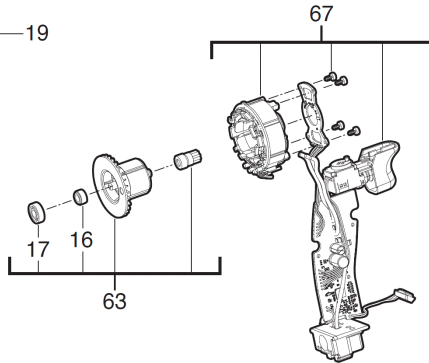
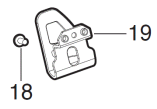
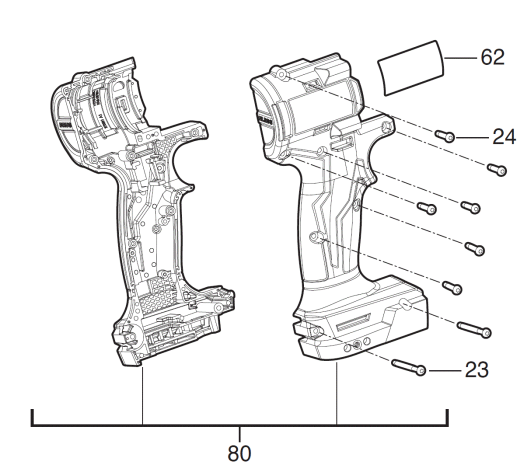


M18BLPDRC-402C Schlagbohrschrauber IN2

4933492824 - M18BLPDRC-402C - 4000481746





| Position | Quantity | Description | Part number | EAN |
|----------|----------|----------------------|------------------------------|---------------|
| 0001 1 | 1 | SCHRAUBE | 4931465497 | 4058546235970 |
| 0009 2 | 4 | SCHRAUBE | 4931465984 | 4058546272012 |
| 0010 3 | 1 | UMSCHALTHEBEL | 4931495916 | 4058546495848 |
| 0012 4 | 1 | HEBEL | 4931495917 | 4058546495855 |
| 0016 5 | 1 | BUECHSE | 4931495918 | 4058546530556 |
| 0017 6 | 1 | KUGELLAGER | 4931495839 | 4058546495077 |
| 0018 7 | 1 | SCHRAUBE | 4931465986 | 4058546272036 |
| 0019 8 | 1 | HAKEN | 4931436134 | 4002395879427 |
| 0023 9 | 2 | SCHRAUBE | 4931454852 | 4058546020262 |
| 0024 10 | 6 | SCHRAUBE | 4931465499 | 4058546235994 |
| 0054 11 | 1 | SCHALTSCHWINGE | 4931465508 | 4058546236083 |
| 0055 12 | 2 | SCHRAUBE | Item discontinued(661262001) | |
| 0062 13 | 1 | LEISTUNGSSCHILD | 4931495927 | 4058546530648 |
| 0063 14 | 1 | ANKER F.ELEKTROMOTOR | 4931495920 | 4058546530570 |
| 0064 15 | 1 | BOHRFUTTER | 4931495921 | 4058546530587 |
| 0065 16 | 1 | GETRIEBEKASTEN | 4931495928 | 4058546530655 |
| 0067 17 | 1 | ELEKTRONIK | 4931495929 | 4058546530662 |
| 0080 18 | 1 | GEHAEUSE | 4931495924 | 4058546530617 |
| 0081 19 | 1 | BITHALTER | 4931494824 | 4058546473969 |
| 0700 20 | 1 | TRANSPORTKASTEN | 4931495925 | 4058546530624 |
| 0701 21 | 1 | HD Box Groesse 1 | 4932453385 | 4002395146376 |
| 0702 22 | 1 | EINSATZ | 4931495926 | 4058546530631 |