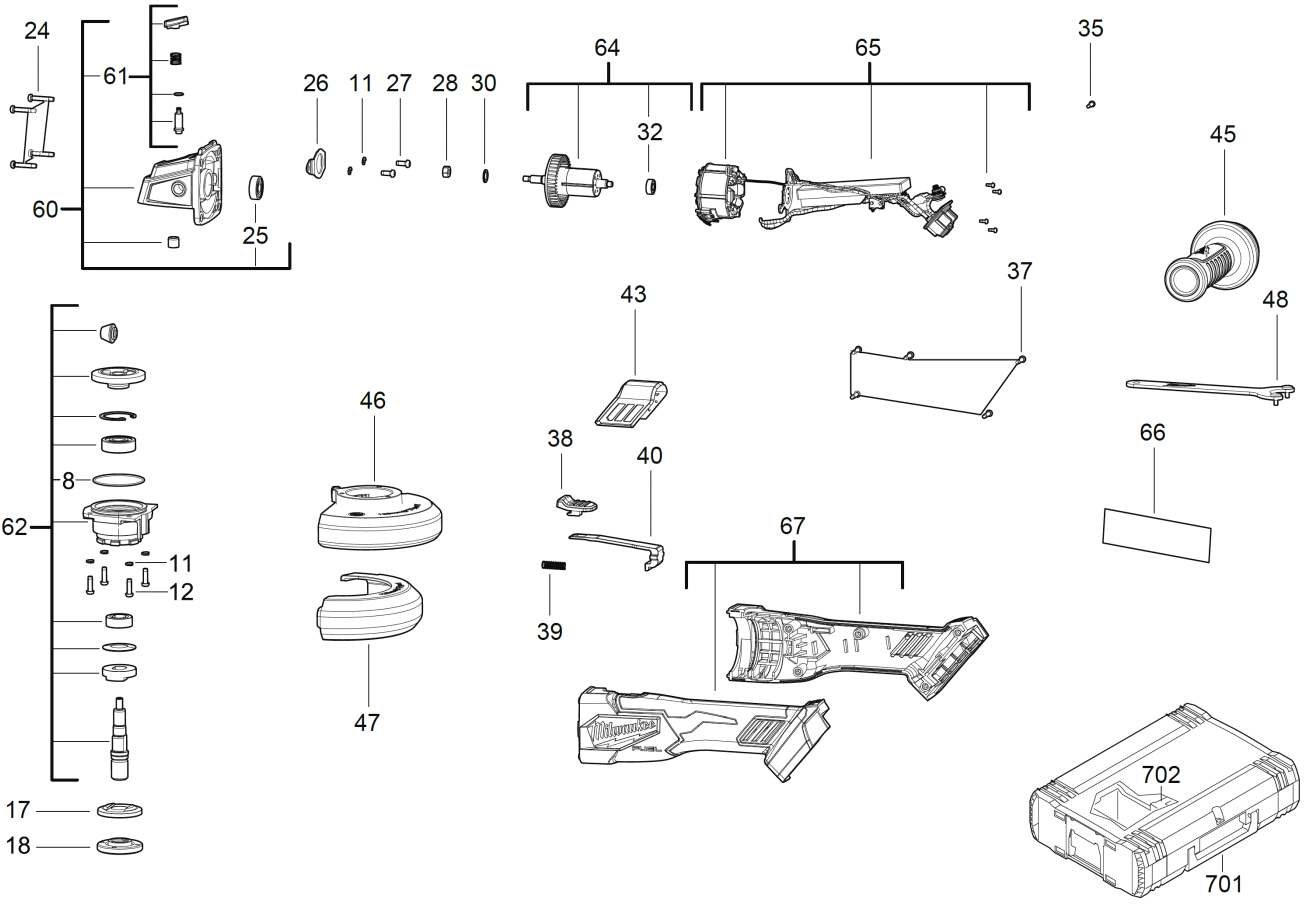


M18FPP2BG-502XEU AKKUWERKZEUGE SET IN2

4933492522 - M18FPP2BG-502XEU - 4000483056



| Position | Quantity | Description | Part number | EAN |
|----------|----------|--------------------|------------------------------|---------------|
| 0008 1 | 1 | O-RING | 4931479267 | 4058546385828 |
| 0011 2 | 6 | SICHERUNGSRING | 680866003 | 4002395823895 |
| 0012 3 | 4 | SCHRAUBE | 4931435150 | 4002395859948 |
| 0017 4 | 1 | FLANSCH | 4931479268 | 4058546385835 |
| 0018 5 | 1 | FLANSCHMUTTER | 4931441309 | 4002395887699 |
| 0024 6 | 4 | SCHRAUBE | Item discontinued(660024024) | |
| 0025 7 | 1 | KUGELLAGER | 4931448373 | 4002395250769 |
| 0026 8 | 1 | HALTER | 4931479269 | 4058546385842 |
| 0027 9 | 2 | SCHRAUBE | 660165015 | 4002395849826 |
| 0028 10 | 1 | MUTTER | 671686001 | 4002395824526 |
| 0030 11 | 1 | SCHEIBE | 4931479270 | 4058546385859 |
| 0032 12 | 1 | KUGELLAGER | 4931479271 | 4058546385866 |
| 0035 13 | 1 | SCHRAUBE | 4931436686 | 4002395258260 |
| 0037 14 | 5 | SCHRAUBE | 660031017 | 4002395825189 |
| 0038 15 | 1 | SCHIEBER | 4931479272 | 4058546385873 |
| 0039 16 | 1 | FEDER | 4931479273 | 4058546385880 |
| 0040 17 | 1 | SCHIEBER | 4931479274 | 4058546385897 |
| 0043 18 | 1 | STAUBKAPPE | 4931479275 | 4058546385903 |
| 0045 19 | 1 | ZUSATZHANDGRIFF | 4931435002 | 4002395855919 |
| 0046 20 | 1 | SCHUTZ | 4931479287 | 4058546386023 |
| 0047 21 | 1 | TRENNSCHUTZHAUBE | 4931479288 | 4058546386030 |
| 0048 22 | 1 | SCHLUESSEL | 4931479278 | 4058546385934 |
| 0060 23 | 1 | GETRIEBEPLATTE | 4931479279 | 4058546385941 |
| 0061 24 | 1 | SPINDELARRETIERUNG | 4931479280 | 4058546385958 |
| 0062 25 | 1 | SPINDEL SATZ | 4931479281 | 4058546385965 |
| 0064 26 | 1 | ROTOR | 4931479282 | 4058546385972 |
| 0065 27 | 1 | ELEKTRONIK | 4931479283 | 4058546385989 |
| 0066 28 | 1 | LEISTUNGSSCHILD | 4931479289 | 4058546386047 |
| 0067 29 | 1 | GEHAEUSE | 4931479285 | 4058546386009 |
| 0701 30 | 1 | HD Box Groesse 1 | 4932453385 | 4002395146376 |
| 0702 31 | 1 | EINSATZ | 4931479286 | 4058546386016 |