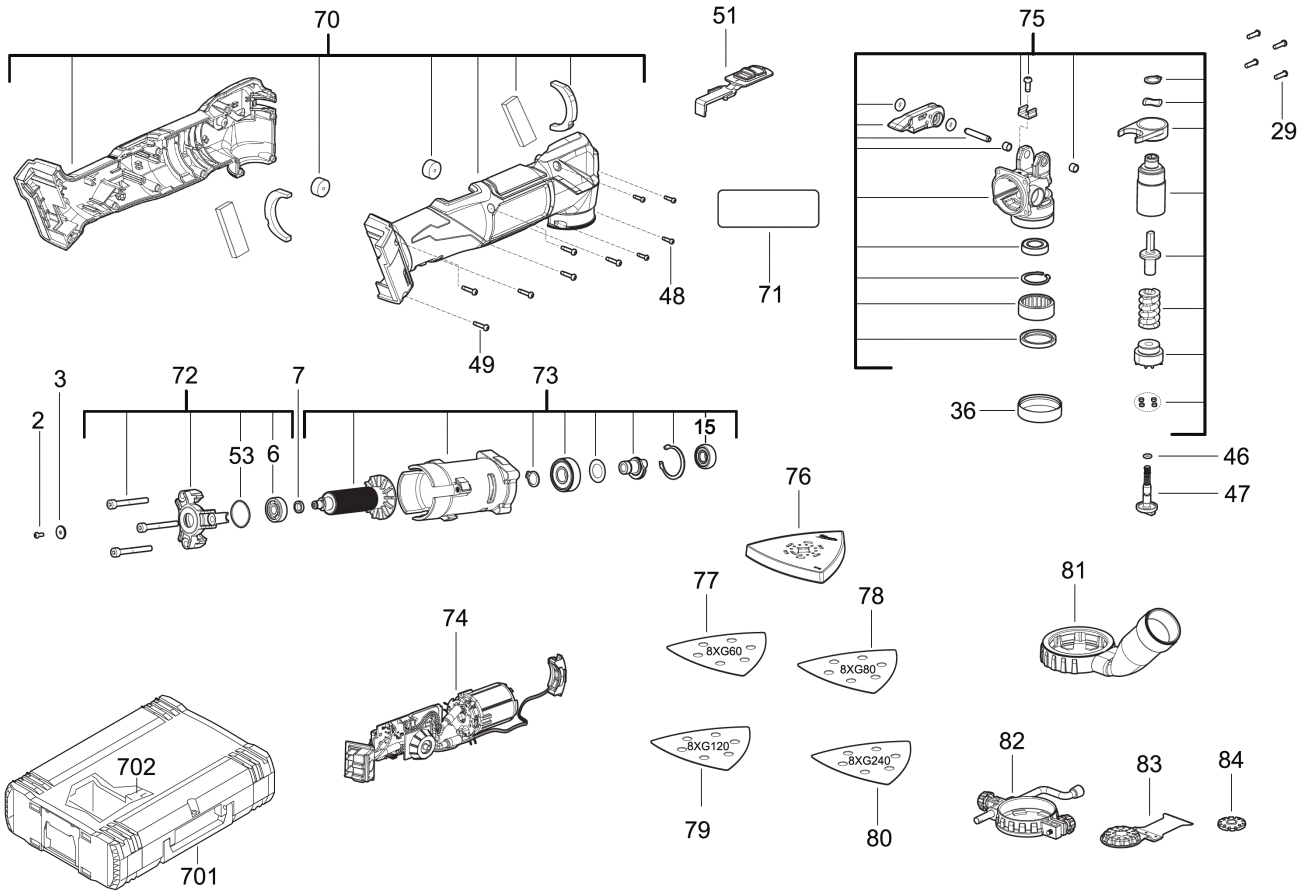


# M18FMT-522X AK- MULTIFUNKTIONSWERKZEU GB2

4933478493 - M18FMT-502X GB2 - 4000483338





| Position | Quantity | Description                              | Part number                 | EAN           |
|----------|----------|--|-----------------------------|---------------|
| 0002 1   | 1        | SCHRAUBE                                 | 4931465506                  | 4058546236069 |
| 0003 2   | 1        | SCHEIBE                                  | 4931473916                  | 4058546364847 |
| 0006 3   | 1        | KUGELLAGER                               | 4931473917                  | 4058546364854 |
| 0007 4   | 1        | BUCHSE                                   | 4931473918                  | 4058546364861 |
| 0015 5   | 1        | KUGELLAGER                               | 4931506971                  | 4058546594824 |
| 0029 6   | 4        | SCHRAUBE                                 | 4931465883                  | 4058546239831 |
| 0036 7   | 1        | GUMMIBUCHSE                              | 4931473919                  | 4058546364878 |
| 0046 8   | 1        | O-RING                                   | 4931473392                  | 4058546352684 |
| 0047 9   | 1        | BEFESTIGUNGSBOLZEN                       | 4931473393                  | 4058546352691 |
| 0048 10  | 4        | SCHRAUBE                                 | 4931447534                  | 4002395882823 |
| 0049 11  | 6        | SCHRAUBE                                 | 660570005                   | 4002395827329 |
| 0051 12  | 1        | SCHIEBER                                 | 4931473920                  | 4058546364885 |
| 0053 13  | 1        | O-RING                                   | 4931473921                  | 4058546364892 |
| 0070 14  | 1        | GEHAEUSE                                 | 4931495793                  | 4058546494612 |
| 0071 15  | 1        | LEISTUNGSSCHILD                          | 4931479356                  | 4058546386719 |
| 0072 16  | 1        | MOTORPLATTE                              | 4931473924                  | 4058546364922 |
| 0073 17  | 1        | MOTOREINHEIT                             | 4931473925                  | 4058546364939 |
| 0074 18  | 1        | ELEKTRONIK                               | 4931473926                  | 4058546364946 |
| 0075 19  | 1        | GETRIEBEPLATTE                           | 4931473927                  | 4058546364953 |
| 0076 20  | 1        | SCHLEIFTELLER                            | 4931447574                  | 4002395882960 |
| 0077 21  | 1        | Schleifpapier 93x93 K60 f.Multitool (8)  | 48902060                    | 45242349166   |
| 0078 22  | 1        | Schleifpapier 93x93 K80 f.Multitool (8)  | Item discontinued(48902080) |               |
| 0079 23  | 1        | Schleifpapier 93x93 K120 f.Multitool (8) | 48902120                    | 45242349135   |
| 0080 24  | 1        | Schleifpapier 93x93 K240 f.Multitool (8) | Item discontinued(48902240) |               |
| 0081 25  | 1        | ABSAUGSTUTZEN                            | 4931473396                  | 4058546352721 |
| 0082 26  | 1        | TIEFENANSCHLAG                           | 4931473397                  | 4058546352738 |
| 0083 27  | 1        | KLINGE                                   | 4931473395                  | 4058546352714 |
| 0084 28  | 1        | ADAPTERSCHEIBE                           | 4931473394                  | 4058546352707 |
| 0701 29  | 1        | HD Box Groesse 1                         | 4932453385                  | 4002395146376 |
| 0702 30  | 1        | EINSATZ                                  | 4931473928                  | 4058546364960 |