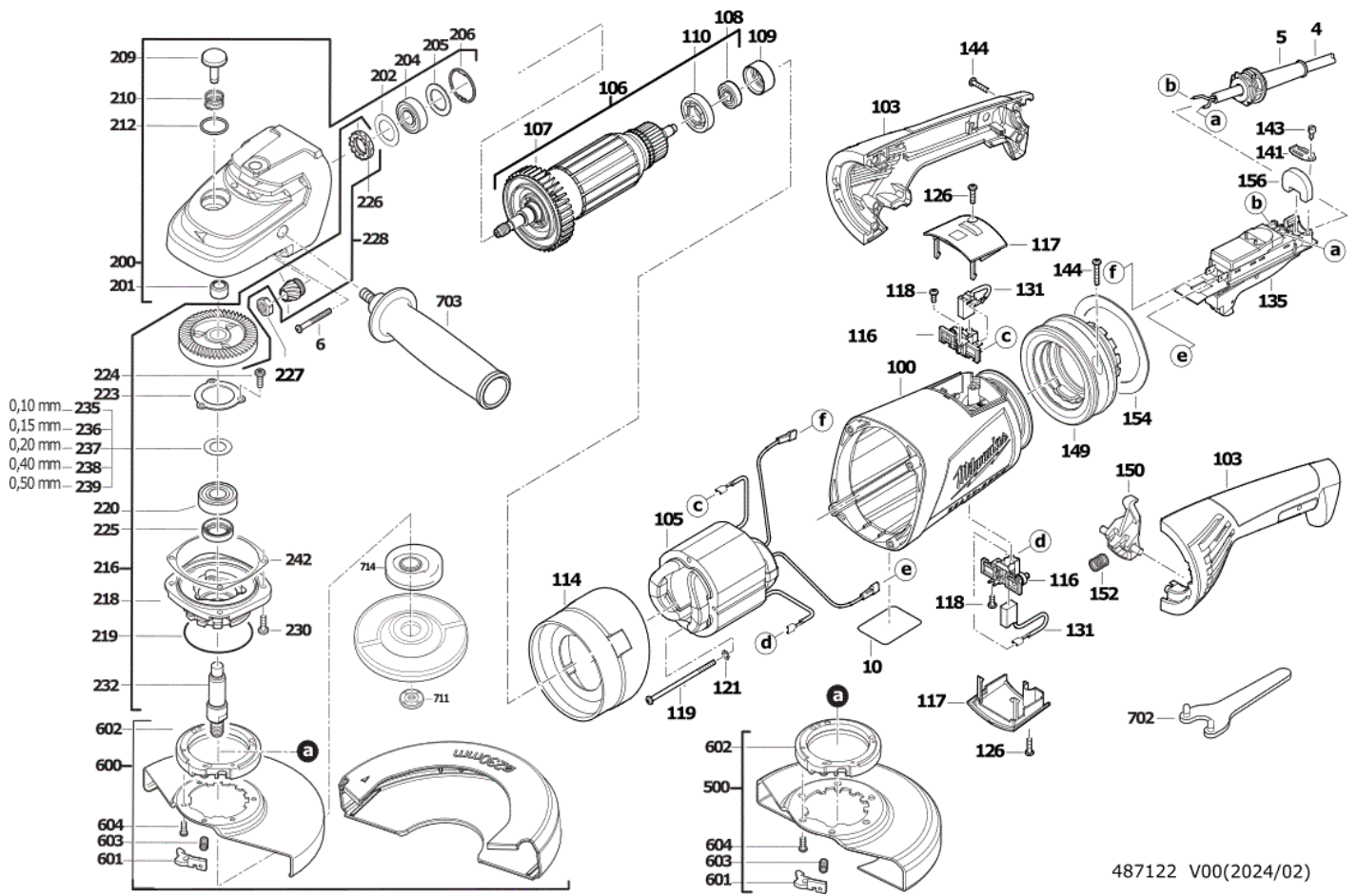


AGV26-230GE DMS WINKELSCHLEIFER IN2

4933402490 - AGV26-230GE DMS - 4000487194





| Position | Quantity | Description | Part number | EAN |
|----------|----------|-----------------------------|-------------|---------------|
| 0004 1 | 1 | ANSCHLUSSLEITUNG | 4931455392 | 4002395174911 |
| 0005 2 | 1 | KABELSCHUTZSCHLAUCH | 4931387206 | 4002395746798 |
| 0006 3 | 4 | SCHRAUBE | 4931622765 | 4002395699094 |
| 0010 4 | 1 | LEISTUNGSSCHILD | 4931487195 | 4058546466879 |
| 0100 5 | 1 | MOTORGEHAEUSE MILW 53 | 4931402268 | 4002395766086 |
| 0103 6 | 1 | SCHALTERGRIFF | 4931402176 | 4002395764143 |
| 0105 7 | 1 | FELD F. ELEKTROMOTOR | 4931476826 | 4058546393168 |
| 0106 8 | 1 | ANKER VOLLST 53X70 220-240V | 4931442695 | 4002395883752 |
| 0107 9 | 1 | VENTILATOR | 4931334394 | 4002395615940 |
| 0108 10 | 1 | KUGELLAGER | 4931341741 | 4002395627004 |
| 0109 11 | 1 | GUMMIBUCHSE | 4931329086 | 4002395610396 |
| 0110 12 | 1 | DICHTRING | 4931402219 | 4002395766123 |
| 0114 13 | 1 | LUFTFUEHRUNGSRING MILW 53 | 4931402269 | 4002395766093 |
| 0116 14 | 2 | BUERSTENHALTER | 4931381694 | 4002395780303 |
| 0117 15 | 2 | DECKEL | 4931402169 | 4002395763252 |
| 0118 16 | 2 | SCHRAUBE | 4931624538 | 4002395760039 |
| 0119 17 | 2 | SCHRAUBE | 4931331734 | 4002395613755 |
| 0121 18 | 2 | FEDERSCHEIBE | 4931619992 | 4002395695232 |
| 0126 19 | 2 | SCHRAUBE | 4931624537 | 4002395760022 |
| 0131 20 | 1 | KOHLEBUERSTEN-SET | 4931369479 | 4002395673490 |
| 0135 21 | 1 | SCHALTER | 4931476614 | 4058546391430 |
| 0141 22 | 1 | KABELSCHELLE | 4931329273 | 4002395610617 |
| 0143 23 | 1 | SCHRAUBE | 4931624537 | 4002395760022 |
| 0144 24 | 6 | SCHRAUBE | 4931618253 | 4002395694945 |
| 0149 25 | 1 | DAEMPfung | 4931455265 | 4002395174256 |
| 0150 26 | 1 | RIEGEL | 4931476616 | 4058546393106 |
| 0152 27 | 1 | DRUCKFEDER | 4931402039 | 4002395758630 |
| 0154 28 | 1 | FEDERSCHEIBE | 4931402029 | 4002395758616 |
| 0156 29 | 1 | STAUBDICHTUNG | 4931402286 | 4002395764754 |
| 0200 30 | 1 | GETRIEBEKASTEN | 4931402161 | 4002395765812 |
| 0201 31 | 1 | HUELSE | 4931621981 | 4002395696512 |
| 0202 32 | 1 | SCHEIBE | 4931621629 | 4002395695720 |
| 0204 33 | 1 | KUGELLAGER | 4931624305 | 4002395738595 |
| 0205 34 | 1 | SCHEIBE | 4931622897 | 4002395699636 |
| 0206 35 | 1 | SPERRING | 4931334400 | 4002395615971 |
| 0209 36 | 1 | ARRETIERBOLZEN | 4931402166 | 4002395763191 |
| 0210 37 | 1 | DRUCKFEDER | 4931329173 | 4002395610518 |
| 0212 38 | 1 | O-RING | 4931622764 | 4002395699087 |
| 0216 39 | 1 | ANTRIEB | 4931487082 | 4058546466664 |
| 0218 40 | 1 | GETRIEBELAGERSCHILD | 4931407540 | 4002395792030 |
| 0219 41 | 1 | DICHTRING | 4931624672 | 4002395791187 |
| 0220 42 | 1 | LAGER | 9170316990 | 4002395571147 |
| 0223 43 | 1 | LAGERDECKEL | 4931402150 | 4002395758265 |
| 0224 44 | 3 | SCHRAUBE | 4931624147 | 4002395711055 |
| 0225 45 | 1 | WELLENDICHTRING | 4931279734 | 4002395590599 |
| 0226 46 | 1 | FETTFANGSCHEIBE | 4931329178 | 4002395758258 |
| 0227 47 | 1 | MUTTER | 4931329494 | 4002395610693 |
| 0228 48 | 1 | KEGELRADPAAR | 4931409592 | 4002395826513 |
| 0230 49 | 4 | SCHRAUBE | 4931624147 | 4002395711055 |
| 0232 50 | 1 | SPINDEL | 4931476338 | 4058546690854 |

| Position | Quantity | Description | Part number | EAN |
|----------|----------|--------------------------------------|-------------------------------|---------------|
| 0235 51 | 1 | SCHEIBE | 4931623312 | 4002395701308 |
| 0236 52 | 1 | SCHEIBE | 4931624701 | 4002395814169 |
| 0237 53 | 1 | AUSGLEICHSCHEIBE | 4931622747 | 4002395699001 |
| 0238 54 | 1 | SCHEIBE | 4931624591 | 4002395877812 |
| 0239 55 | 1 | SCHEIBE | 4931941094 | 4002395706952 |
| 0242 56 | 1 | DICHTUNG | 4931329150 | 4002395610488 |
| 0500 57 | 1 | TRENNSCHUTZHAUBE | Item discontinued(4931428099) | |
| 0600 58 | 1 | SCHUTZHAUBE 230 SW | 4931487073 | 4058546466619 |
| 0601 59 | 1 | RASTHEBEL | 201256002 | 4002395801725 |
| 0602 60 | 1 | FLANSCH | 4931402063 | 4002395758203 |
| 0603 61 | 1 | DRUCKFEDER | 4931402089 | 4002395758234 |
| 0604 62 | 5 | SCHRAUBE | 4931624491 | 4002395758142 |
| 0702 63 | 1 | STIRNLOCHSCHLUeSSEL GERADE B35 D3116 | 4932367712 | 4002395338467 |
| 0703 64 | 1 | HANDGRIFF | 4931398251 | 4002395764891 |
| 0711 65 | 1 | FLANSCHMUTTER M14 3MM | 4932345628 | 4002395313105 |
| 0714 66 | 1 | AUTOBALANCER | 4931402435 | 4002395766475 |