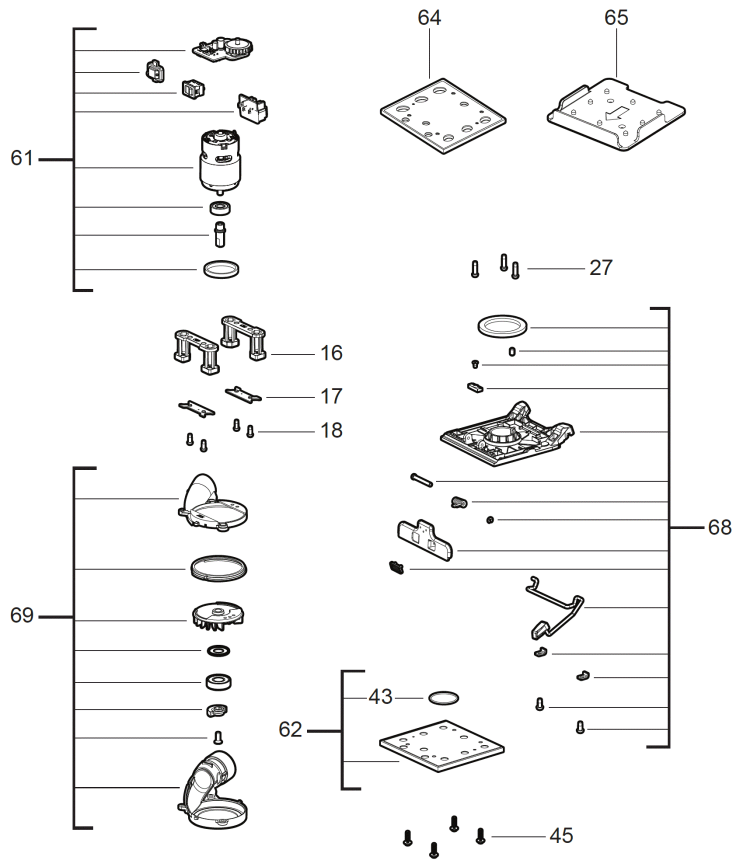
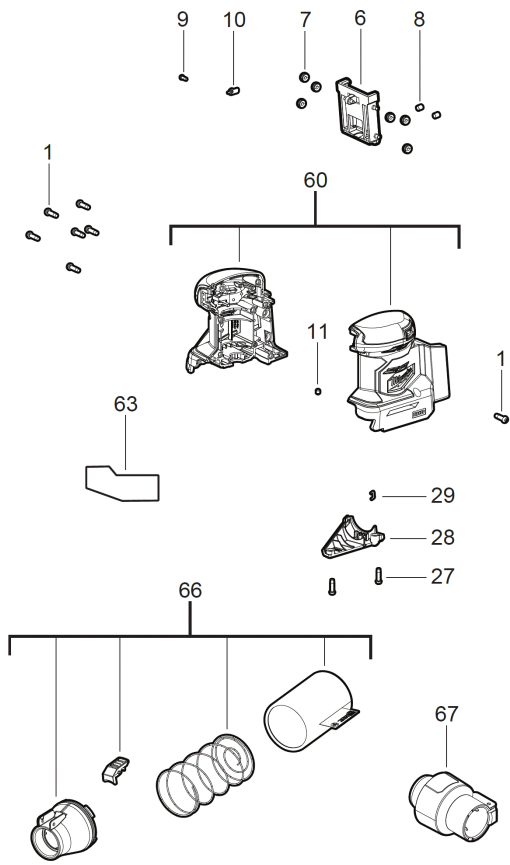


M18BQSS-0 Akku-Schwingschleifer XXX

4933479966 - M18BQSS-0 - 4000491411





| Position | Quantity | Description | Part number | EAN |
|----------|----------|--------------------|-------------|---------------|
| 0001 1 | 8 | SCHRAUBE | 4931465326 | 4058546234263 |
| 0006 2 | 1 | VERBINDUNG | 4931494192 | 4058546467647 |
| 0007 3 | 6 | ISOLATOR | 4931494193 | 4058546467654 |
| 0008 4 | 2 | GUMMIPUFFER | 4931453340 | 4002395163861 |
| 0009 5 | 1 | SCHRAUBE | 4931461353 | 4058546035259 |
| 0010 6 | 1 | HALTEPLATTE | 4931494194 | 4058546467661 |
| 0011 7 | 1 | SCHAUMSTOFFEINLAGE | 4931494195 | 4058546467678 |
| 0016 8 | 2 | DAEMPFER | 4931494196 | 4058546467685 |
| 0017 9 | 2 | BLECH | 4931494197 | 4058546467692 |
| 0018 10 | 4 | SCHRAUBE | 4931494198 | 4058546467708 |
| 0027 11 | 5 | SCHRAUBE | 4931454381 | 4058546008093 |
| 0028 12 | 1 | GEHAEUSE | 4931494200 | 4058546467722 |
| 0029 13 | 1 | FEDERKLEMME | 4931494201 | 4058546467739 |
| 0043 14 | 1 | O-RING | 4931494202 | 4058546467746 |
| 0045 15 | 4 | SCHRAUBE | 4931494203 | 4058546467753 |
| 0060 16 | 1 | GEHAEUSE | 4931494204 | 4058546467760 |
| 0061 17 | 1 | ELEKTRONIK | 4931494205 | 4058546467777 |
| 0062 18 | 1 | SCHLEIFPLATTE | 4931494206 | 4058546467784 |
| 0063 19 | 1 | LEISTUNGSSCHILD | 4931494207 | 4058546467791 |
| 0064 20 | 1 | KLETTSCHLEIFPLATTE | 4931494208 | 4058546467807 |
| 0065 21 | 1 | xOCHSTANZE | 4931494209 | 4058546467814 |
| 0066 22 | 1 | STAUBSACK | 4931494210 | 4058546467821 |
| 0067 23 | 1 | ABSAUGSTUTZEN | 4931494211 | 4058546467838 |
| 0068 24 | 1 | GRUNDPLATTE | 4931494212 | 4058546467845 |
| 0069 25 | 1 | LUEFTER | 4931494213 | 4058546467852 |