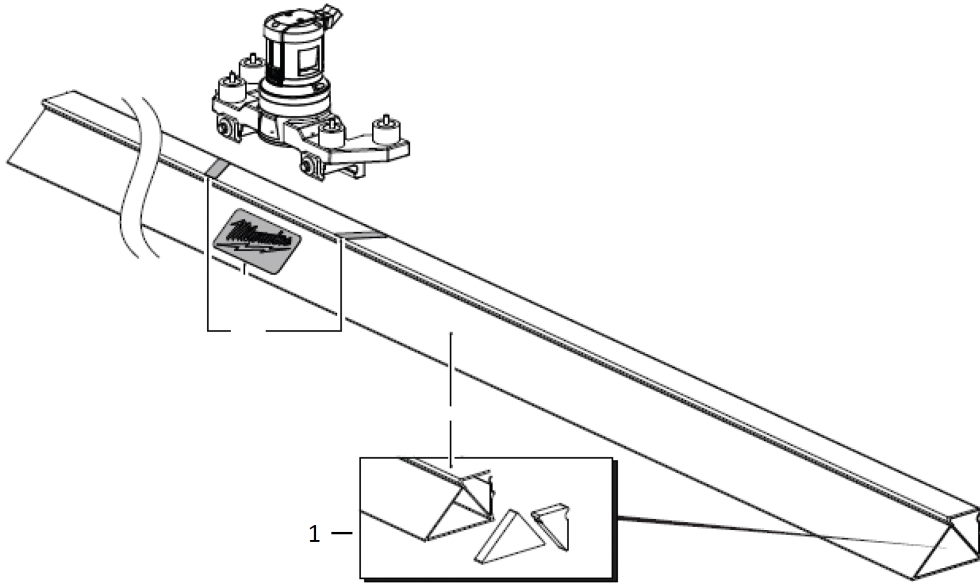


MXF PSB-3.00m

4932479779 - MXF PSB-3M - 4000491735





Position	Quantity	Description	Part number	EAN
1	1	PART NOT DETAILED	1000063920	
0001 2	1	SCHUTZHAUBEN-SET	4931494579	4058546471514