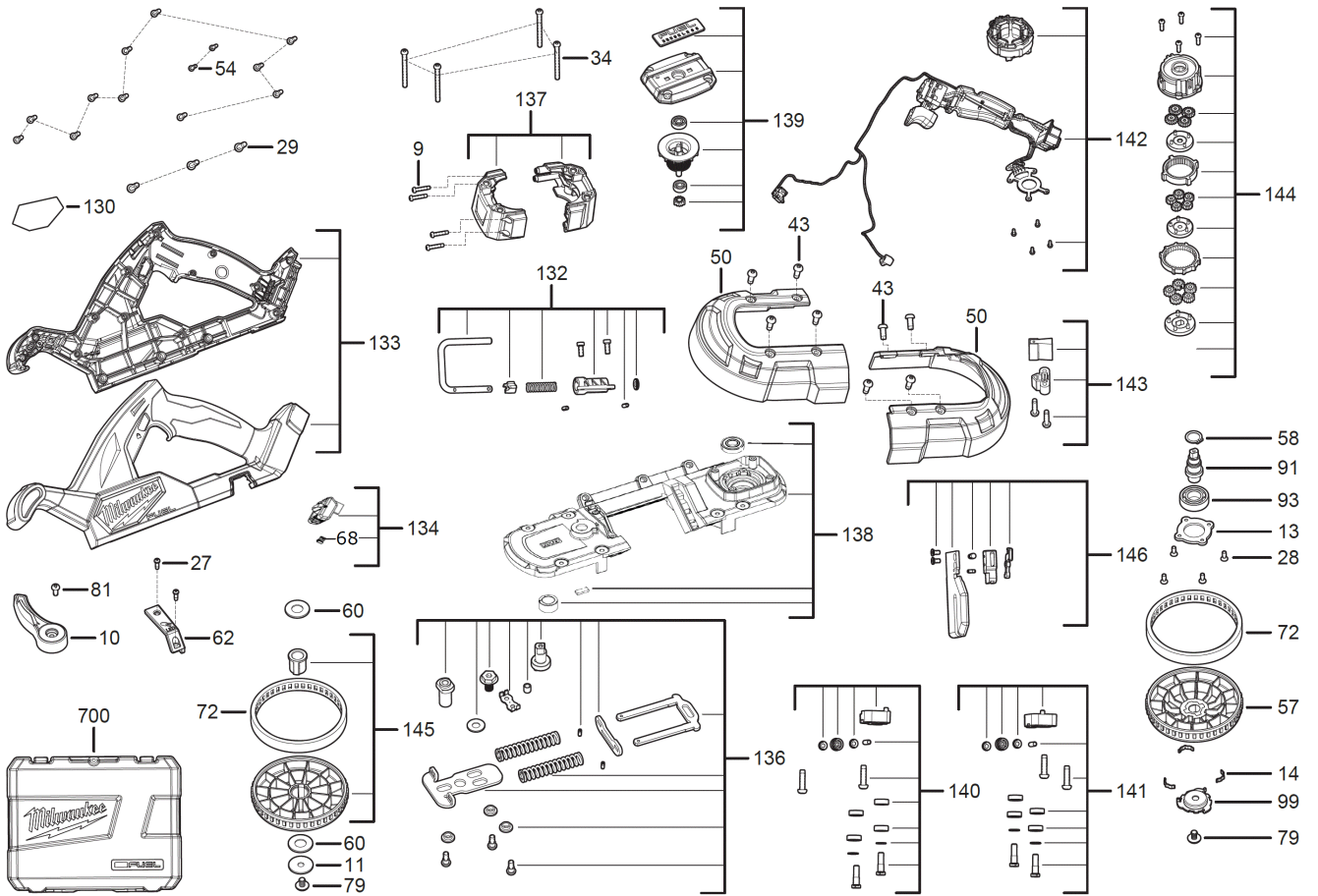


# M18FBS85-0C AKKU-BANDSAEGE XXX

4933471496 - M18FBS85-0C - 4000497012





| Position | Quantity | Description        | Part number                  | EAN           |
|----------|----------|--------------------|------------------------------|---------------|
| 0009 1   | 4        | SCHRAUBE           | 660230017                    | 4002395839742 |
| 0010 2   | 1        | SPANNHEBEL         | 4931472747                   | 4058546330491 |
| 0011 3   | 1        | SCHEIBE            | 633266001                    | 4002395829996 |
| 0013 4   | 1        | PLATTE             | 4931472748                   | 4058546330507 |
| 0014 5   | 3        | FEDERTELLER        | 4931472749                   | 4058546330514 |
| 0027 6   | 2        | SCHRAUBE           | Item discontinued(661414002) |               |
| 0028 7   | 4        | SCHRAUBE           | 4931472750                   | 4058546330521 |
| 0029 8   | 3        | SCHRAUBE           | 4931465543                   | 4058546236434 |
| 0034 9   | 4        | SCHRAUBE           | 4931436424                   | 4002395248926 |
| 0043 10  | 8        | SCHRAUBE           | 06825314                     | 4002395851935 |
| 0050 11  | 1        | SCHUTZ             | 4931494471                   | 4058546470432 |
| 0054 12  | 2        | SCHRAUBE           | 4931465499                   | 4058546235994 |
| 0057 13  | 1        | RIEMENSCHLEIBE     | 4931472753                   | 4058546330552 |
| 0058 14  | 1        | SNAP RING          | 4931472754                   | 4058546330569 |
| 0060 15  | 2        | SCHEIBE            | 560189001                    | 4002395829903 |
| 0062 16  | 1        | HALTEBUEGEL        | 4931472755                   | 4058546330576 |
| 0068 17  | 1        | DRUECKER           | 4931435337                   | 4002395892945 |
| 0072 18  | 2        | UMLAUFRAD          | 4931472756                   | 4058546330583 |
| 0079 19  | 2        | SCHRAUBE           | 661299001                    | 4002395829804 |
| 0081 20  | 1        | SCHRAUBE           | 4931472757                   | 4058546330590 |
| 0091 21  | 1        | WELLE              | 4931472758                   | 4058546330606 |
| 0093 22  | 1        | KUGELLAGER         | 4931472759                   | 4058546330613 |
| 0099 23  | 1        | SCHEIBE            | 4931472761                   | 4058546330637 |
| 0130 24  | 1        | LEISTUNGSSCHILD    | 4931494678                   | 4058546472504 |
| 0132 25  | 1        | HAKEN              | 4931472763                   | 4058546330651 |
| 0133 26  | 1        | GRIFFSCHALENPAAR   | 4931494679                   | 4058546472511 |
| 0134 27  | 1        | VERSCHLUSS         | 4931494680                   | 4058546472528 |
| 0136 28  | 1        | SPANNEINRICHTUNG   | 4931472766                   | 4058546330682 |
| 0137 29  | 1        | MOTERGEHAEUSE      | 4931472767                   | 4058546330699 |
| 0138 30  | 1        | LAGERSCHILD        | 4931480431                   | 4058546424466 |
| 0139 31  | 1        | MOTOREINHEIT       | 4931472769                   | 4058546330712 |
| 0140 32  | 1        | DOPPELENKROLLE     | 4931472770                   | 4058546330729 |
| 0141 33  | 1        | DOPPELENKROLLE     | 4931472771                   | 4058546330736 |
| 0142 34  | 1        | ELEKTRONIK         | 4931472772                   | 4058546330743 |
| 0143 35  | 1        | STAHLDRAGHTBUERSTE | 4931472773                   | 4058546330750 |
| 0144 36  | 1        | GETRIEBEKASTEN     | 4931472774                   | 4058546330767 |
| 0145 37  | 1        | RIEMENSCHLEIBE     | 4931472775                   | 4058546330774 |
| 0146 38  | 1        | GLEITSCHUH         | 4931480432                   | 4058546424473 |
| 0700 39  | 1        | TRANSPORTKOFFER    | 4931472777                   | 4058546330798 |