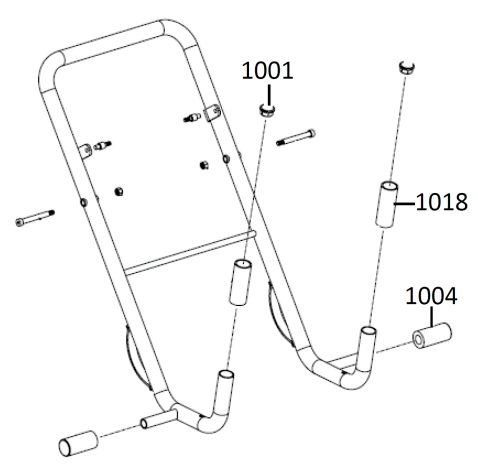
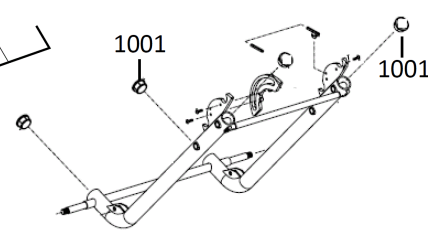
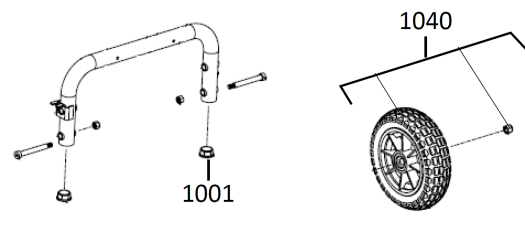
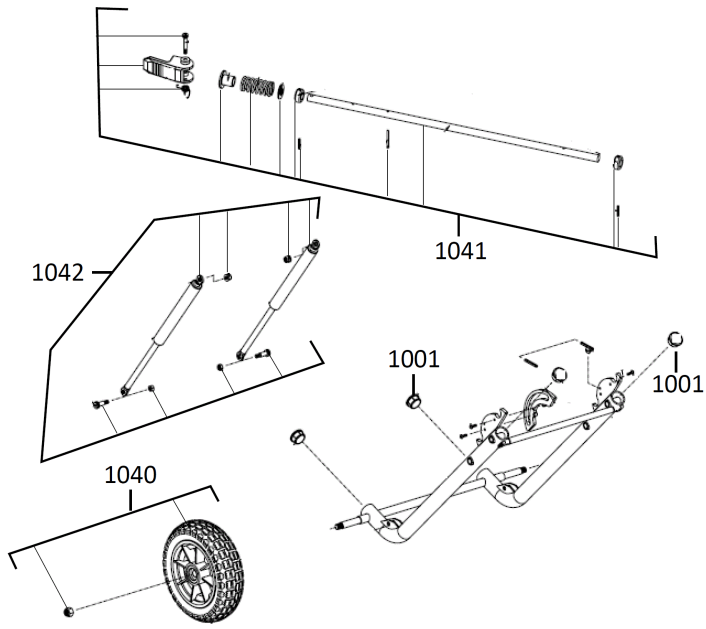


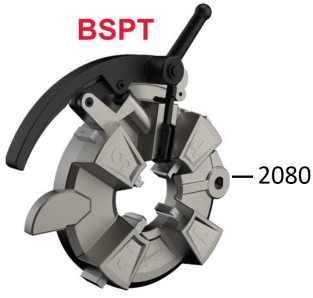
# MXFPTR2-601 Akku-Gewindeschneidgeraet IN

4933492100 - MXFPTR2-601 - 4000497245

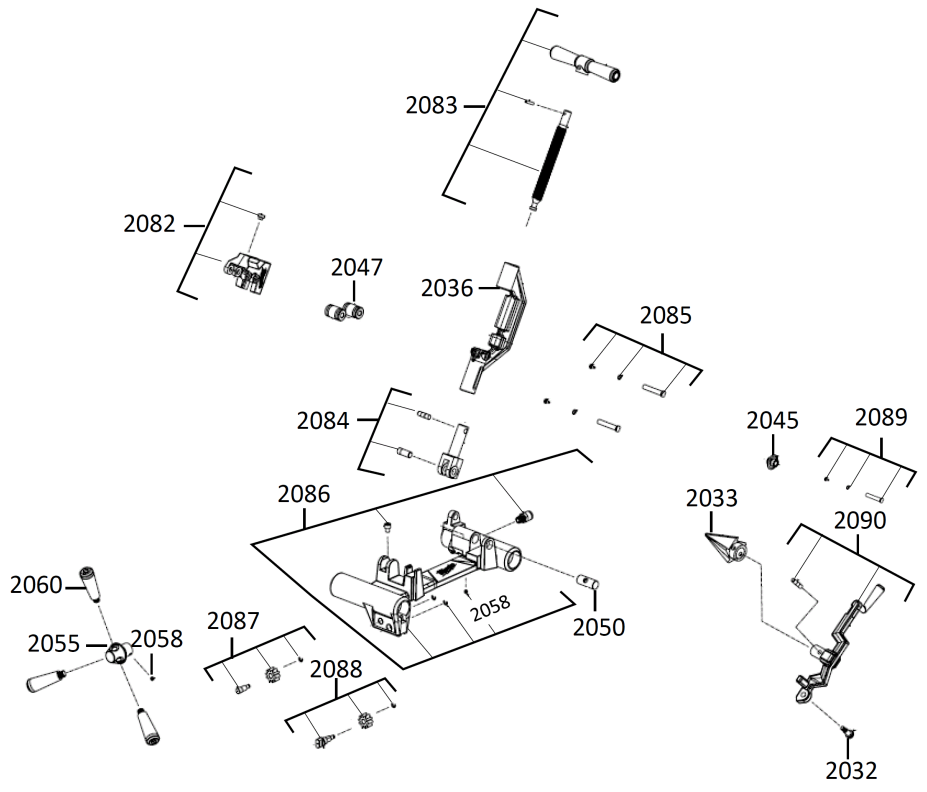
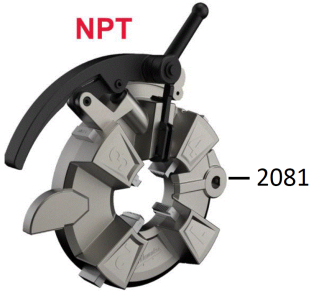


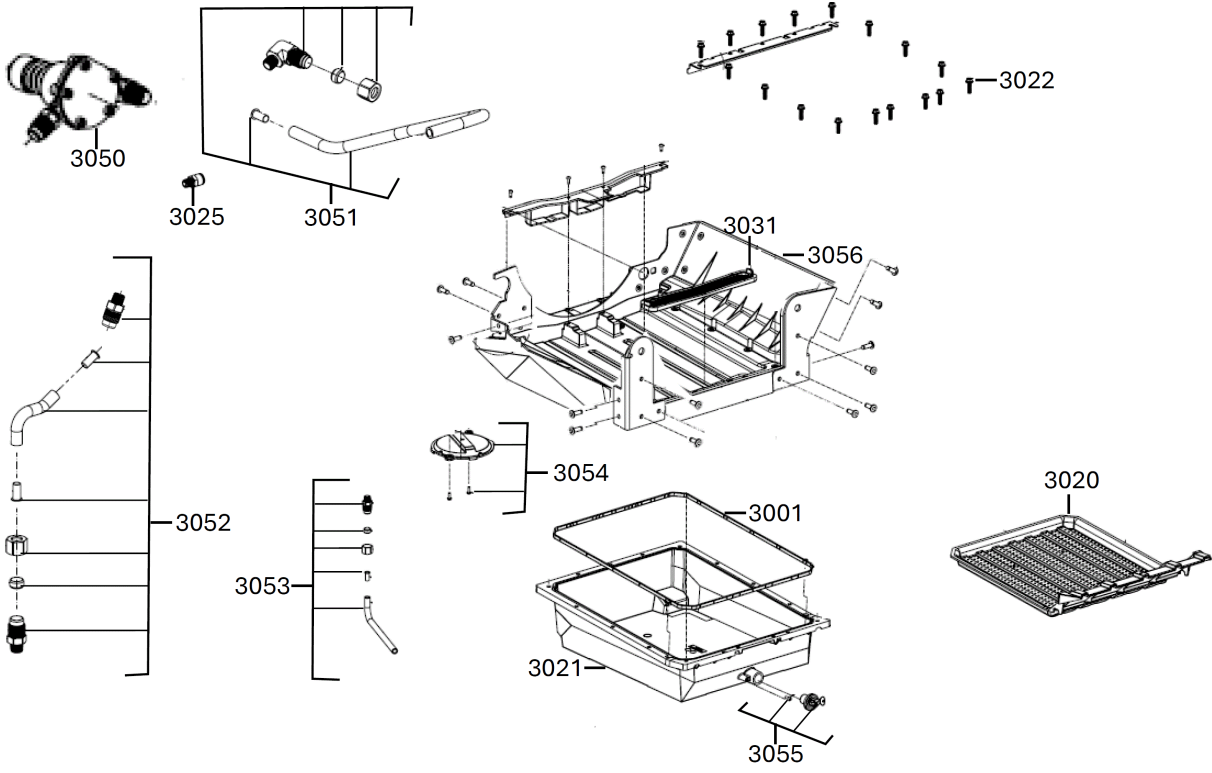


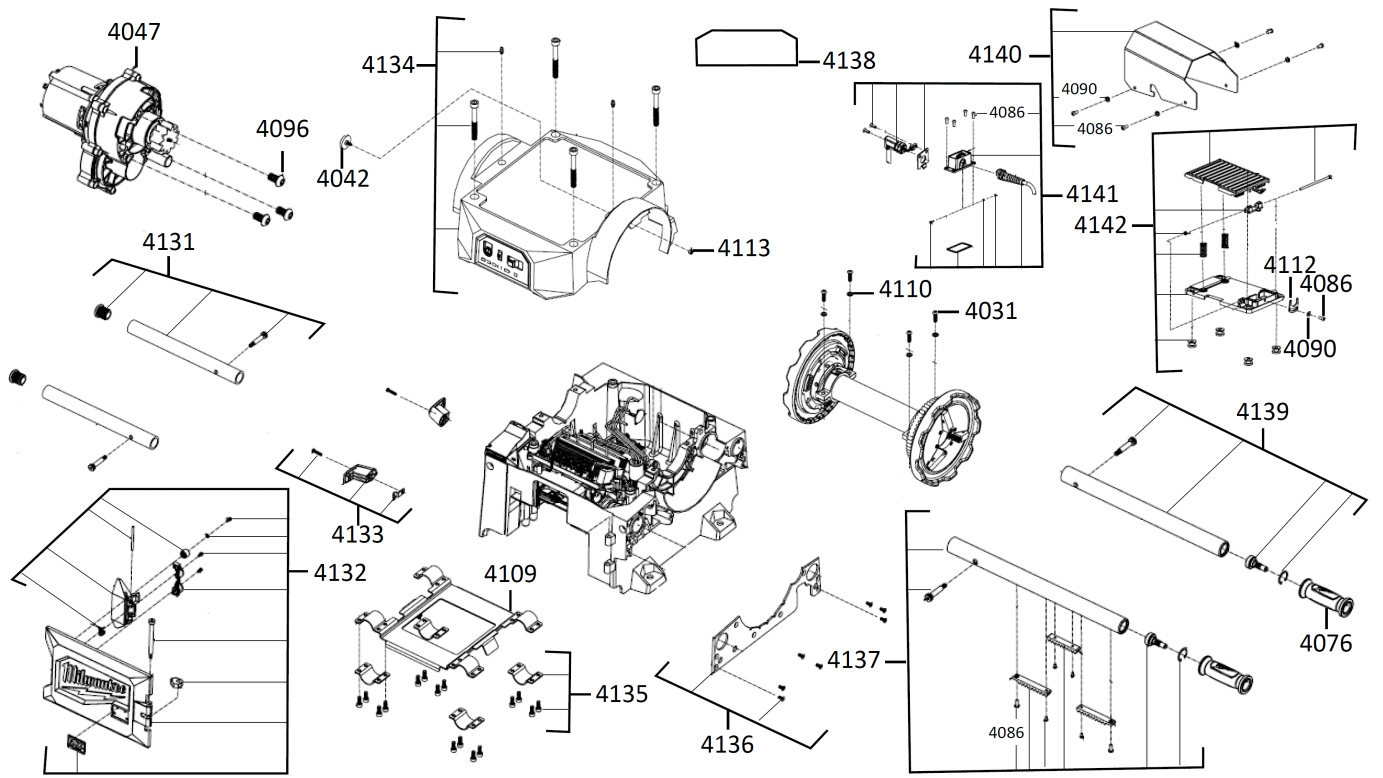
**BSPT**

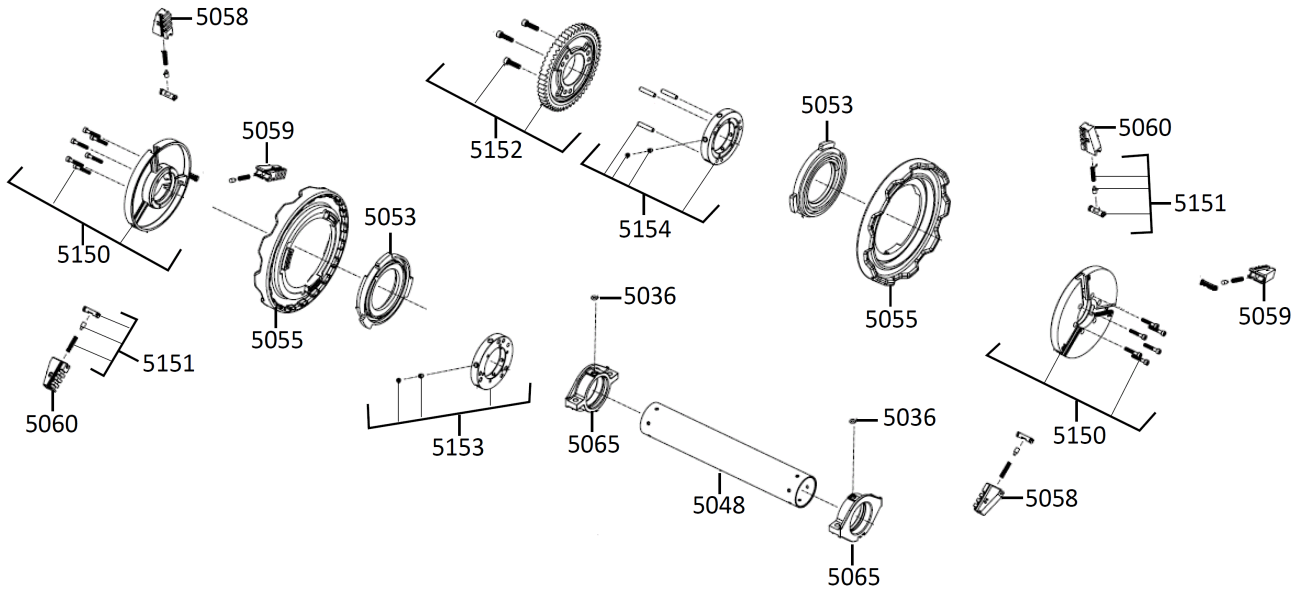


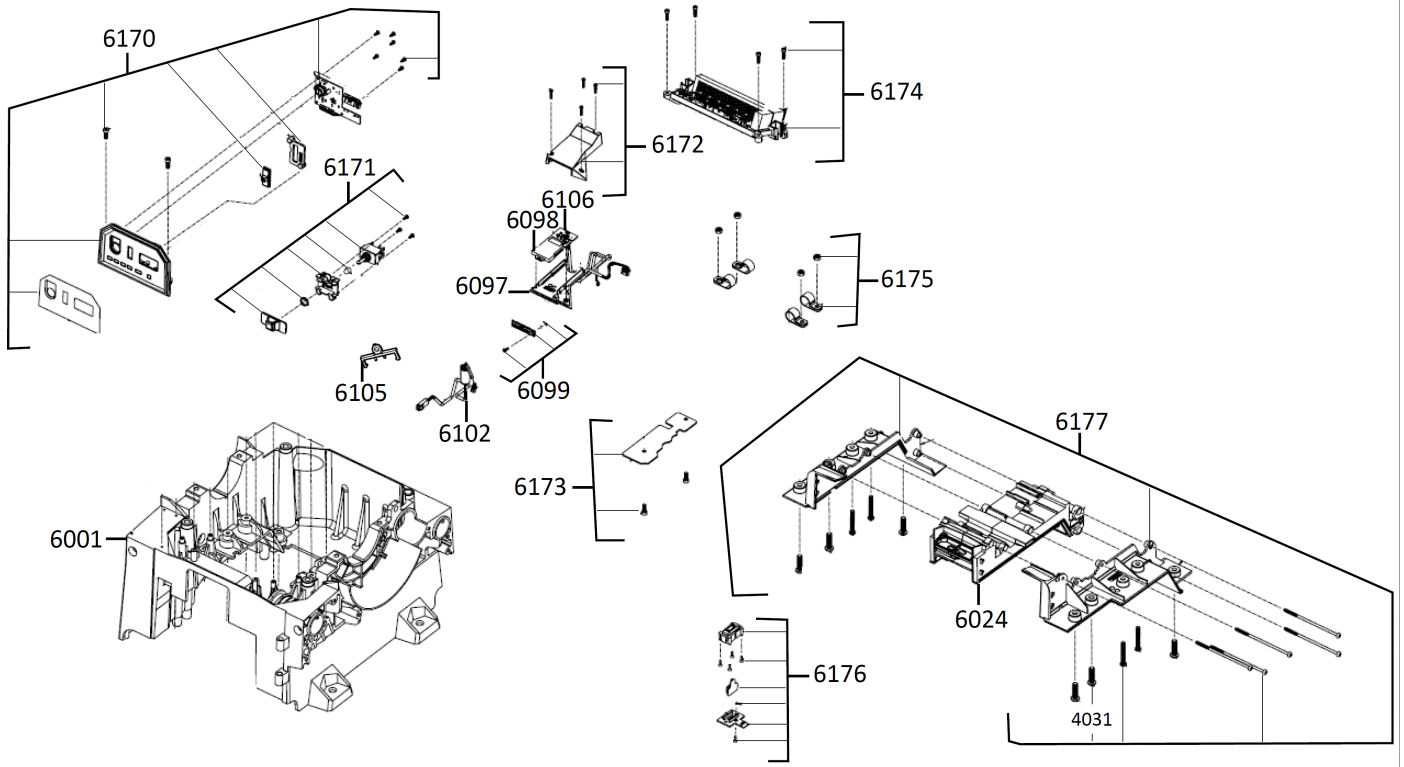
**NPT**











| Position | Quantity | Description                       | Part number | EAN           |
|----------|----------|-----------------------------------|-------------|---------------|
| 1001 1   | 8        | SCHUTZHAUBE                       | 4931496643  | 4058546537807 |
| 1004 2   | 2        | GUMMIFUSS                         | 4931496644  | 4058546537814 |
| 1018 3   | 2        | GRIFFTEIL                         | 4931496645  | 4058546537821 |
| 1040 4   | 2        | RAD                               | 4931496646  | 4058546537838 |
| 1041 5   | 1        | ENTRIEGELUNGSSET                  | 4931496647  | 4058546537845 |
| 1042 6   | 1        | DAEMPFER                          | 4931496648  | 4058546537852 |
| 2032 7   | 1        | BOLZEN                            | 4931496649  | 4058546537869 |
| 2033 8   | 1        | Entgrater fuer MXFPTR2            | 49165105    | 45242833634   |
| 2036 9   | 1        | MESSER                            | 4931496650  | 4058546537876 |
| 2045 10  | 1        | Schneidrad fuer MXFPTR2           | 48361401    | 45242745920   |
| 2047 11  | 2        | BUECHSE                           | 4931496651  | 4058546537883 |
| 2050 12  | 1        | STIFT                             | 4931496652  | 4058546537890 |
| 2055 13  | 1        | NABE                              | 4931496653  | 4058546537906 |
| 2058 14  | 2        | SCHRAUBE                          | 4931496654  | 4058546537913 |
| 2060 15  | 3        | KNAUFGRIFF                        | 4931496655  | 4058546537920 |
| 2082 16  | 1        | MESSER                            | 4931496656  | 4058546537937 |
| 2083 17  | 1        | HANDGRIFF-SET                     | 4931496657  | 4058546537944 |
| 2084 18  | 1        | VERBINDUNGSSTUECK                 | 4931496658  | 4058546537951 |
| 2085 19  | 2        | STIFT                             | 4931496659  | 4058546537968 |
| 2086 20  | 1        | LAUFWAGEN                         | 4931496660  | 4058546537975 |
| 2087 21  | 1        | STIFT                             | 4931496661  | 4058546537982 |
| 2088 22  | 1        | SCHAFT                            | 4931496662  | 4058546537999 |
| 2089 23  | 1        | RAD                               | 4931496663  | 4058546538002 |
| 2090 24  | 1        | KIPPHEBEL                         | 4931496664  | 4058546538019 |
| 3001 25  | 1        | DICHTUNG                          | 4931496665  | 4058546538026 |
| 3020 26  | 1        | GROBSCHMUTZFILTER                 | 4931496666  | 4058546538033 |
| 3021 27  | 1        | BEHAELTER                         | 4931506816  | 4058546561307 |
| 3022 28  | 17       | SCHRAUBE                          | 4931506817  | 4058546561314 |
| 3025 29  | 1        | ANSCHLUSSMUFFE                    | 4931496667  | 4058546538040 |
| 3031 30  | 1        | EINSATZ                           | 4931496668  | 4058546538057 |
| 3050 31  | 1        | OEL PUMPE                         | 4931496669  | 4058546538064 |
| 3051 32  | 1        | ROHR                              | 4931496670  | 4058546538071 |
| 3052 33  | 1        | ROHR                              | 4931496671  | 4058546538088 |
| 3053 34  | 1        | ROHR                              | 4931496672  | 4058546538095 |
| 3054 35  | 1        | DECKEL                            | 4931496673  | 4058546538101 |
| 3055 36  | 1        | STOPFEN                           | 4931496674  | 4058546538118 |
| 3056 37  | 1        | GEHAEUSE                          | 4931506818  | 4058546561321 |
| 4031 38  | 10       | SCHRAUBE                          | 4931496675  | 4058546538125 |
| 4042 39  | 1        | BOLZEN                            | 4931496676  | 4058546538132 |
| 4047 40  | 1        | GETRIEBE                          | 4931496677  | 4058546538149 |
| 4076 41  | 2        | GRIFF                             | 4931496678  | 4058546538156 |
| 4086 42  | 11       | SCHRAUBE                          | 4931496679  | 4058546538163 |
| 4090 43  | 5        | SCHEIBE                           | 4931496680  | 4058546538170 |
| 4096 44  | 3        | SCHRAUBE                          | 4931496681  | 4058546538187 |
| 4109 45  | 1        | PLATTE                            | 4931496682  | 4058546538194 |
| 4110 46  | 4        | SCHEIBE                           | 4931494491  | 4058546470630 |
| 4112 47  | 1        | SPERRSTUECK, STAHL F.GEWINDESCHN. | 4931496683  | 4058546538200 |
| 4113 48  | 1        | MUTTER                            | 4931496684  | 4058546538217 |
| 4131 49  | 2        | ROHR                              | 4931496685  | 4058546538224 |
| 4132 50  | 1        | AKKUGEHAEUSE                      | 4931496686  | 4058546538231 |

| Position | Quantity | Description        | Part number | EAN           |
|----------|----------|--------------------|-------------|---------------|
| 4133 51  | 2        | TRAEGER            | 4931496687  | 4058546538248 |
| 4134 52  | 1        | GEHAEUSE           | 4931496688  | 4058546538255 |
| 4135 53  | 4        | KLEMME             | 4931496689  | 4058546538262 |
| 4136 54  | 1        | GEHAEUSE           | 4931496690  | 4058546538279 |
| 4137 55  | 1        | GRIFF LINKS        | 4931496691  | 4058546538286 |
| 4138 56  | 1        | LEISTUNGSSCHILD    | 4931496692  | 4058546538293 |
| 4139 57  | 1        | GRIFF RECHTS       | 4931496693  | 4058546538309 |
| 4140 58  | 1        | SCHUTZ             | 4931496694  | 4058546538316 |
| 4141 59  | 1        | DECKEL             | 4931496695  | 4058546538323 |
| 4142 60  | 1        | PLATTE             | 4931496696  | 4058546538330 |
| 5036 61  | 2        | BUECHSE            | 4931496697  | 4058546538347 |
| 5048 62  | 1        | FUEHRUNGSROHR      | 4931496698  | 4058546538354 |
| 5053 63  | 2        | BUECHSE            | 4931496699  | 4058546538361 |
| 5055 64  | 2        | KUPPLUNGSRAD       | 4931496700  | 4058546538378 |
| 5058 65  | 2        | HALTEWERKZEUG      | 4931496701  | 4058546538385 |
| 5059 66  | 2        | HALTEWERKZEUG      | 4931496702  | 4058546538392 |
| 5060 67  | 2        | HALTEWERKZEUG      | 4931496703  | 4058546538408 |
| 5065 68  | 2        | BUECHSE            | 4931496704  | 4058546538415 |
| 5150 69  | 2        | FUEHRUNGSSCHEIBE   | 4931496705  | 4058546538422 |
| 5151 70  | 6        | BEFESTIGUNGSET     | 4931496706  | 4058546538439 |
| 5152 71  | 1        | GETRIEBERAD        | 4931496707  | 4058546538446 |
| 5153 72  | 1        | HALTERING          | 4931496708  | 4058546538453 |
| 5154 73  | 1        | HALTERING          | 4931496709  | 4058546538460 |
| 6001 74  | 1        | GEHAEUSE UNTEN     | 4931496710  | 4058546538477 |
| 6024 75  | 1        | AKKUGEHAEUSE       | 4931496711  | 4058546538484 |
| 6097 76  | 1        | DECKEL             | 4931496712  | 4058546538491 |
| 6098 77  | 1        | EINLEGEKARTE       | 4931496713  | 4058546538507 |
| 6099 78  | 1        | FIRMENSCHILD       | 4931496714  | 4058546538514 |
| 6102 79  | 1        | VERBINDUNGSSTECKER | 4931496715  | 4058546538521 |
| 6105 80  | 3        | SPANNBUEGEL        | 4931472938  | 4058546332402 |
| 6106 81  | 1        | ELEKTRONIK         | 4931496716  | 4058546538538 |
| 6170 82  | 1        | ELEKTRONIK         | 4931496717  | 4058546538545 |
| 6171 83  | 1        | ELEKTRONIK         | 4931496718  | 4058546538552 |
| 6172 84  | 1        | DECKEL             | 4931496719  | 4058546538569 |
| 6173 85  | 1        | DECKEL             | 4931496720  | 4058546538576 |
| 6174 86  | 1        | ELEKTRONIK         | 4931496721  | 4058546538583 |
| 6175 87  | 4        | KABELSCHELLE       | 4931496722  | 4058546538590 |
| 6176 88  | 1        | STEUERSCHALTER     | 4931496723  | 4058546538606 |
| 6177 89  | 1        | DECKEL-SET         | 4931496724  | 4058546538613 |