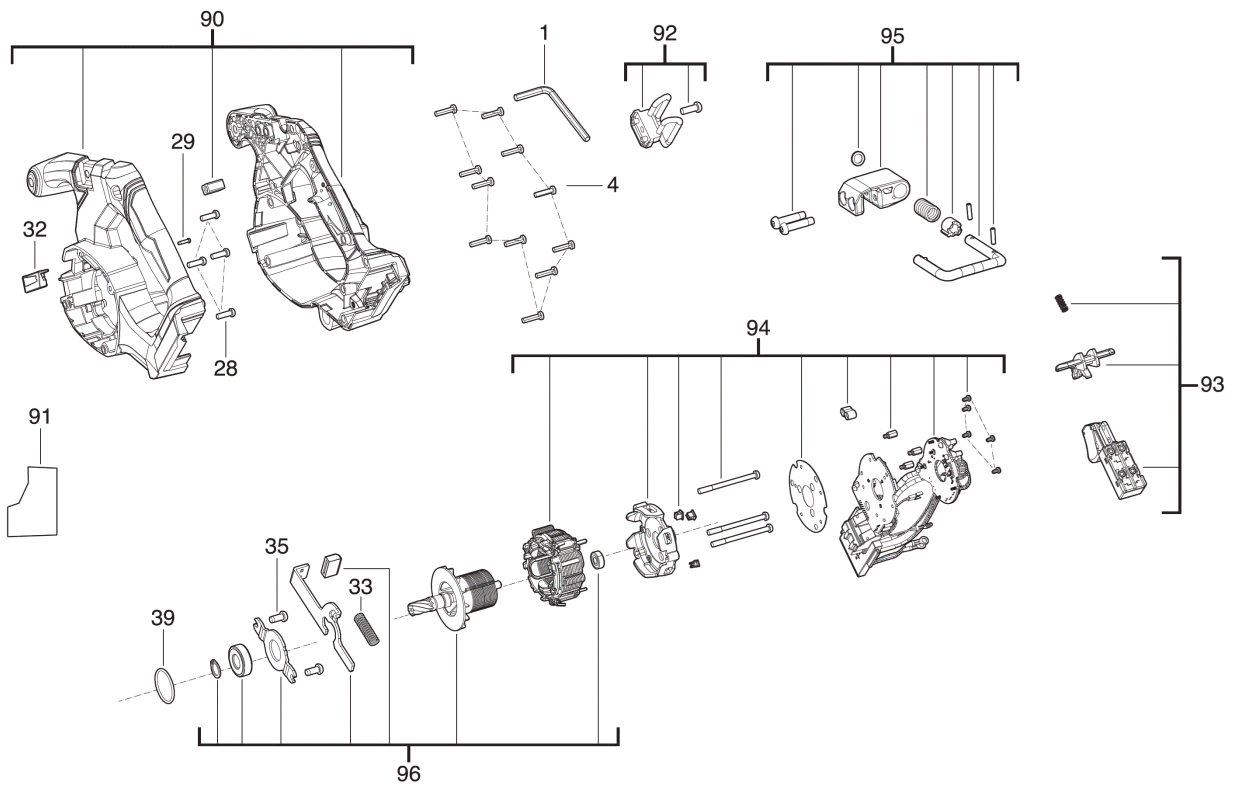
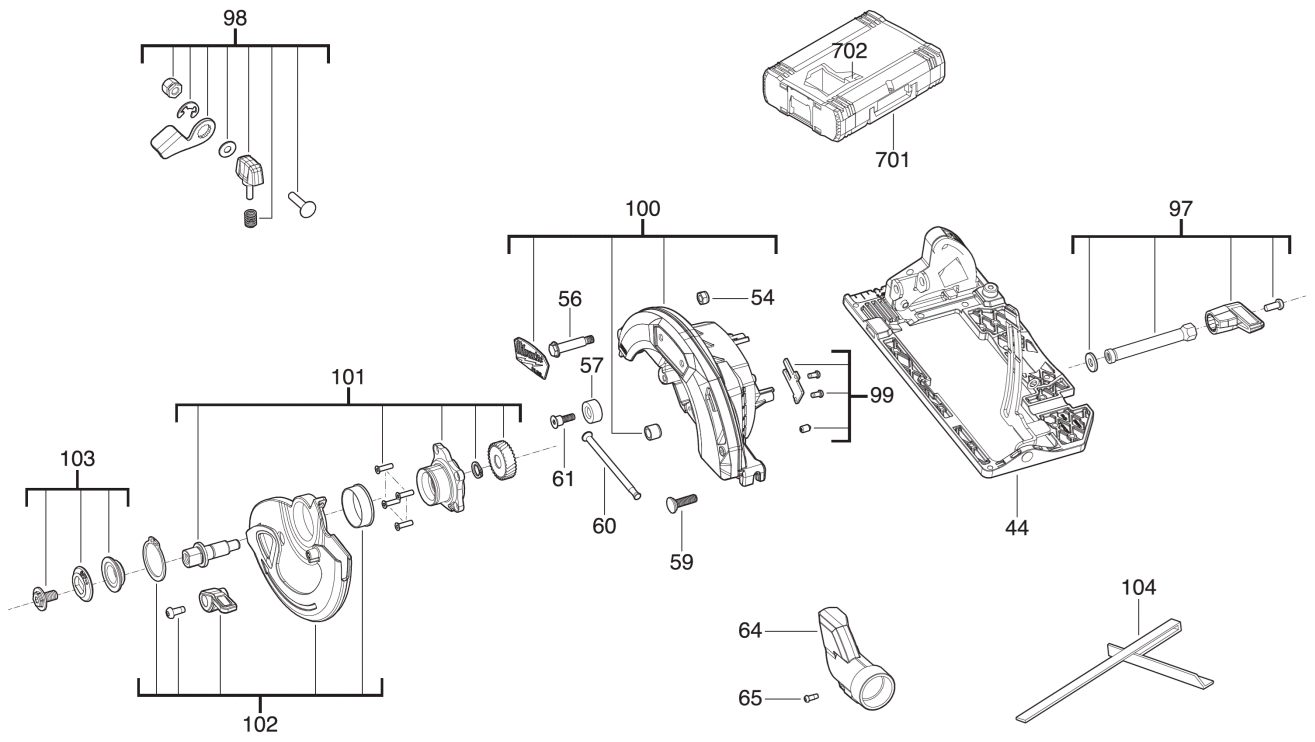


M18FCS552-302X Akku-Kreissaege IN2

4933493589 - M18FCS552-502X - 4000503434







| Position | Quantity | Description | Part number | EAN |
|----------|----------|--------------------|-------------|---------------|
| 0001 1 | 1 | SCHLUESSEL | 4931436125 | 4002395878734 |
| 0004 2 | 11 | SCHRAUBE | 4931506283 | 4058546555979 |
| 0028 3 | 4 | SCHRAUBE | 4931472710 | 4058546330125 |
| 0029 4 | 1 | SCHRAUBE | 4931496888 | 4058546540258 |
| 0032 5 | 1 | LED LICHT | 4931506284 | 4058546555986 |
| 0033 6 | 1 | FEDER | 4931506285 | 4058546555993 |
| 0035 7 | 2 | SICHERUNGSSCHRAUBE | 4931465672 | 4058546237721 |
| 0039 8 | 1 | O-RING | 4931436466 | 4002395251742 |
| 0044 9 | 1 | SCHUTZSCHUH | 4931506286 | 4058546556006 |
| 0054 10 | 1 | MUTTER | 4931506287 | 4058546556013 |
| 0056 11 | 1 | BOLZEN | 4931506288 | 4058546556020 |
| 0057 12 | 1 | STOSSFAENGER | 4931465876 | 4058546239763 |
| 0059 13 | 1 | BOLZEN | 4931496880 | 4058546540173 |
| 0060 14 | 1 | FEDERELEMENT | 4931506289 | 4058546556037 |
| 0061 15 | 1 | SCHRAUBE | 4931506290 | 4058546556044 |
| 0064 16 | 1 | ABSAUGSYSTEM | 4931506291 | 4058546556051 |
| 0065 17 | 1 | SCHRAUBE | 4931506292 | 4058546556068 |
| 0090 18 | 1 | GEHAEUSE | 4931506293 | 4058546556075 |
| 0091 19 | 1 | LEISTUNGSSCHILD | 4931506294 | 4058546556082 |
| 0092 20 | 1 | HAKEN | 4931472321 | 4058546285388 |
| 0093 21 | 1 | DRUECKER | 4931506295 | 4058546556099 |
| 0094 22 | 1 | ELEKTRONIK | 4931506296 | 4058546556105 |
| 0095 23 | 1 | HAKEN | 4931506297 | 4058546556112 |
| 0096 24 | 1 | ROTOR | 4931506298 | 4058546556129 |
| 0097 25 | 1 | KLEMMHEBEL | 4931506299 | 4058546556136 |
| 0098 26 | 1 | KLEMMHEBEL | 4931506300 | 4058546556143 |
| 0099 27 | 1 | VERSCHLUSS | 4931506301 | 4058546556150 |
| 0100 28 | 1 | GEHAEUSE | 4931506302 | 4058546556167 |
| 0101 29 | 1 | AUSGABESET | 4931506303 | 4058546556174 |
| 0102 30 | 1 | TRENNSCHUTZHAUBE | 4931506304 | 4058546556181 |
| 0103 31 | 1 | BEFESTIGUNGSBOLZEN | 4931506305 | 4058546556198 |
| 0104 32 | 1 | PARALLELANSCHLAG | 43300100 | 4002395872091 |
| 0701 33 | 1 | HD Box Groesse 3 | 4932453386 | 4002395143634 |
| 0702 34 | 1 | EINLEGETEIL | 4931506307 | 4058546556211 |