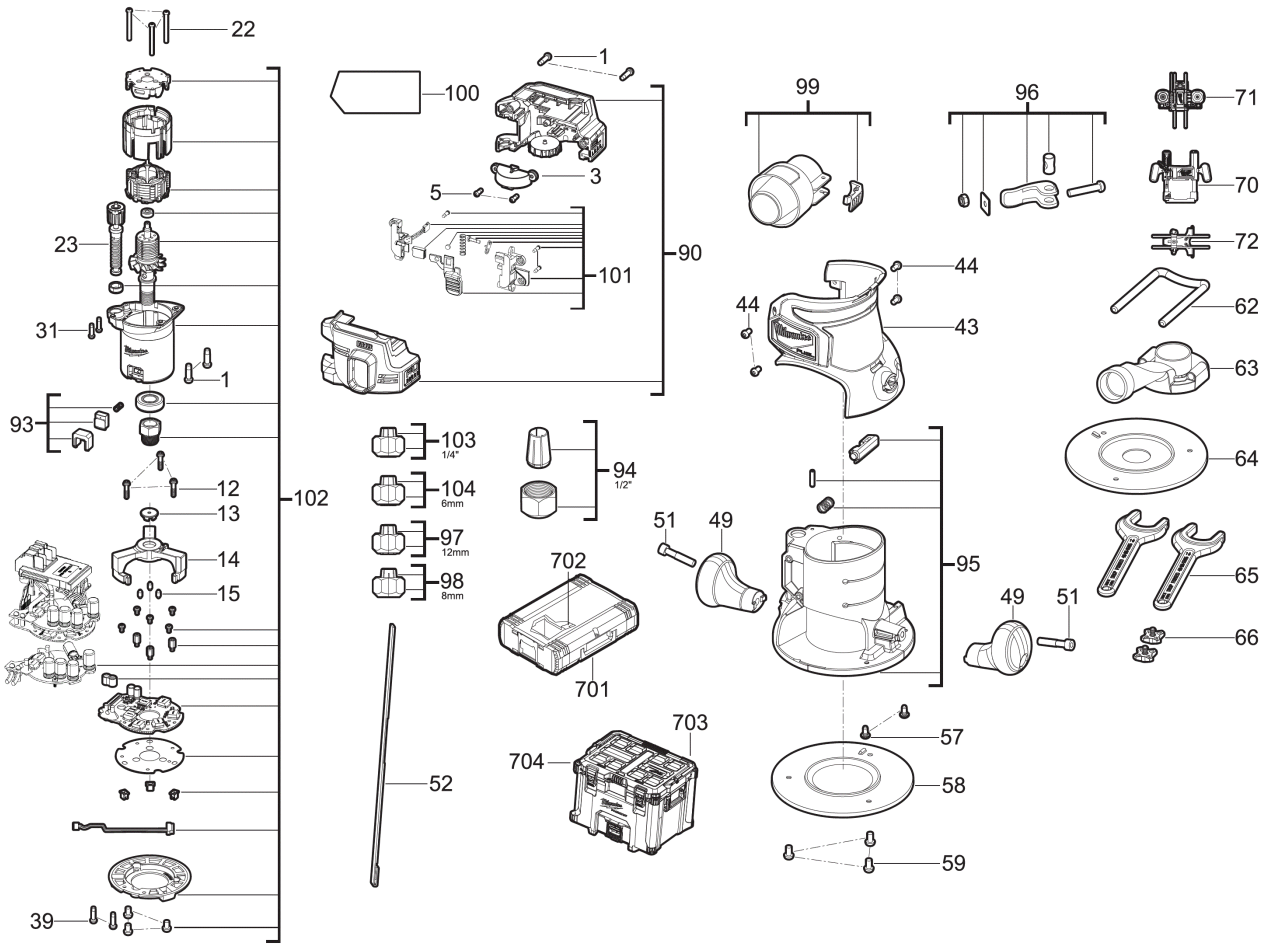


# M18FR12KIT-0P Akku-Oberfraese XXX

4933493305 - M18FR12KIT-0P - 4000503968





| Position | Quantity | Description                     | Part number | EAN           |
|----------|----------|---------------------------------|-------------|---------------|
| 0001 1   | 4        | SCHRAUBE                        | 4931495662  | 4058546493301 |
| 0003 2   | 1        | DECKEL                          | 4931495663  | 4058546493318 |
| 0012 3   | 3        | SCHRAUBE                        | 4931495664  | 4058546493325 |
| 0013 4   | 1        | DECKEL                          | 4931495665  | 4058546493332 |
| 0014 5   | 1        | HALTER                          | 4931495666  | 4058546493349 |
| 0015 6   | 3        | GUMMIBUCHSE                     | 4931495667  | 4058546493356 |
| 0022 7   | 3        | SCHRAUBE                        | 4931436424  | 4002395248926 |
| 0023 8   | 1        | EINSTELLSEGMENT                 | 4931495668  | 4058546493363 |
| 0031 9   | 2        | SCHRAUBE                        | 4931453124  | 4002395152780 |
| 0039 10  | 2        | SCHRAUBE                        | 660570005   | 4002395827329 |
| 0043 11  | 1        | GEHAEUSEKAPPE                   | 4931495669  | 4058546493370 |
| 0044 12  | 4        | SCHRAUBE                        | 4931472686  | 4058546329884 |
| 0049 13  | 2        | KNAUFGRIF                       | 4931495670  | 4058546493387 |
| 0051 14  | 2        | SCHRAUBE                        | 4931480449  | 4058546424640 |
| 0052 15  | 1        | BAND                            | 4931495671  | 4058546493394 |
| 0057 16  | 2        | GEWINDESTIFT                    | 4931495672  | 4058546493400 |
| 0058 17  | 1        | GRUNDPLATTE                     | 4931495673  | 4058546493417 |
| 0059 18  | 3        | SCHRAUBE                        | 4931466691  | 4058546279080 |
| 0062 19  | 1        | BUEGEL                          | 4931472664  | 4058546329662 |
| 0063 20  | 1        | ABSAUGVORRICHTUNG               | 4931495674  | 4058546493424 |
| 0064 21  | 1        | GRUNDPLATTE                     | 4931495675  | 4058546493431 |
| 0065 22  | 2        | SCHLUESSEL                      | 4931495676  | 4058546493448 |
| 0066 23  | 2        | DREHKNOPF                       | 4931495677  | 4058546493455 |
| 0072 24  | 1        | FUEHRUNG                        | 4931495678  | 4058546493462 |
| 0090 25  | 1        | GEHAEUSE                        | 4931507682  | 4058546601935 |
| 0093 26  | 1        | SPINDELARRETIERUNG              | 4931495680  | 4058546493486 |
| 0095 27  | 1        | GEHAEUSE UNTEN                  | 4931495681  | 4058546493493 |
| 0096 28  | 1        | ENTRIEGELUNGSSET                | 4931495682  | 4058546493509 |
| 0099 29  | 1        | ABSAUGSTUTZEN                   | 4931494106  | 4058546429874 |
| 0100 30  | 1        | ETIKETT                         | 4931507683  | 4058546601942 |
| 0101 31  | 1        | SCHALTER                        | 4931507684  | 4058546601959 |
| 0102 32  | 1        | ELEKTRONIK                      | 4931507685  | 4058546601966 |
| 0702 33  | 1        | EINSATZ                         | 4931495686  | 4058546493547 |
| 0704 34  | 1        | EINSATZ                         | 4931495687  | 4058546493554 |
| 0070 35  | 1        | RBA-1 Oberfraesenaufsatz        | 4932493307  | 4058546481780 |
| 0071 36  | 1        | RBA-2 Oberfraesenadapter        | 4932493306  | 4058546481773 |
| 0094 37  | 1        | 12,5mm Spannzange fuer M18 FR16 | 4932493916  | 4058546510763 |
| 0097 38  | 1        | 12mm Spannzange fuer M18 FR15   | 4932493915  | 4058546510756 |
| 0098 39  | 1        | 8mm Spannzange fuer M18 FR14    | 4932493914  | 4058546510749 |
| 0103 40  | 1        | 6,35mm Spannzange fuer M18 FR13 | 4932493913  | 4058546510732 |
| 0104 41  | 1        | 6mm Spannzange fuer M18 FR12    | 4932493912  | 4058546510725 |
| 0701 42  | 1        | HD Box Groesse 3                | 4932453386  | 4002395143634 |
| 0703 43  | 1        | PACKOUT Koffer XL               | 4932501784  | 4058546645007 |