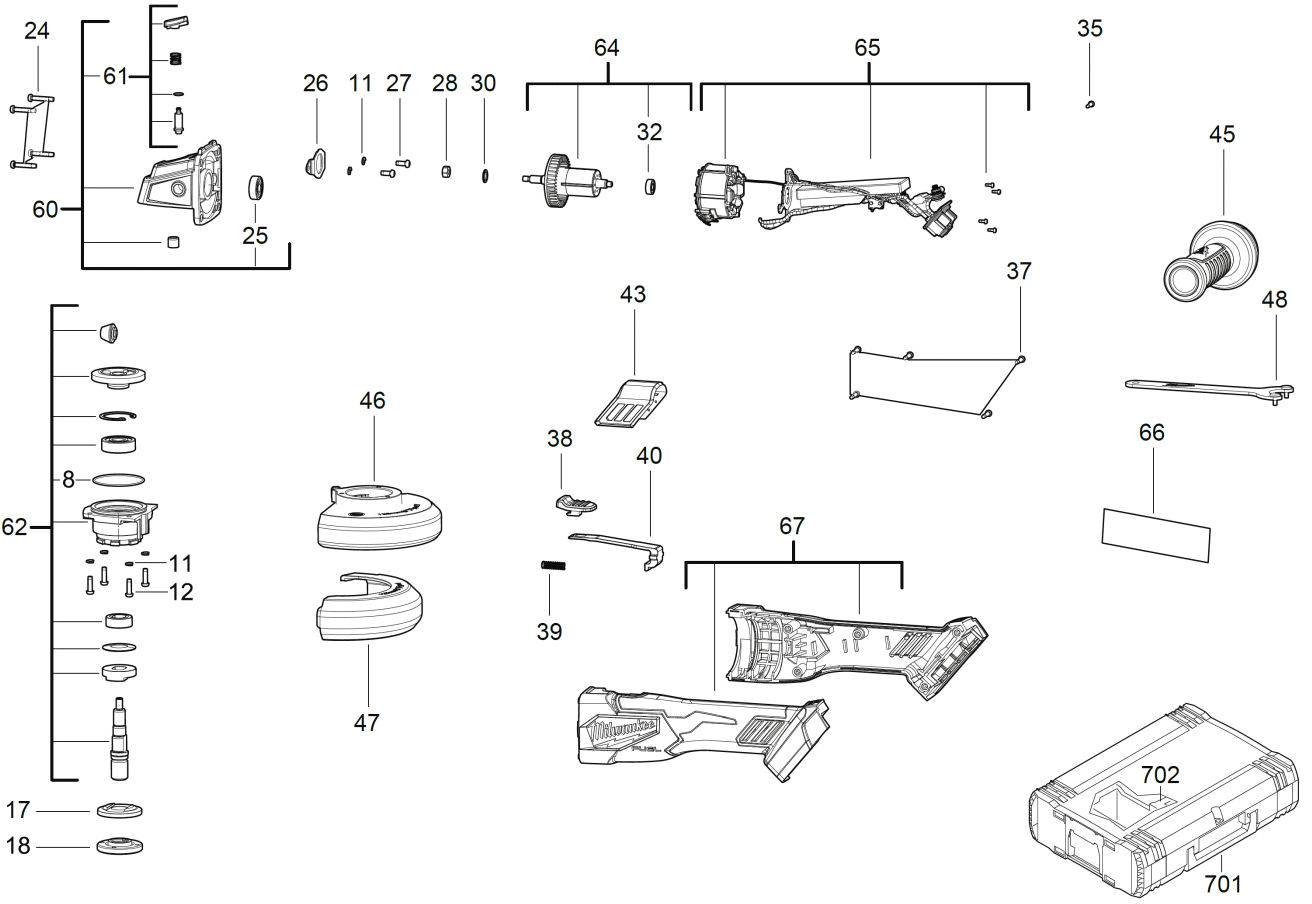


# **M18FPP6P3-504B AKKUWERKZEUGE SET GB2**

**4933501776 - M18FPP6P3-504B - 4000509110**



| Position | Quantity | Description        | Part number | EAN           |
|----------|----------|--------------------|-------------|---------------|
| 0008 1   | 1        | O-RING             | 4931479267  | 4058546385828 |
| 0011 2   | 6        | SICHERUNGSRING     | 680866003   | 4002395823895 |
| 0012 3   | 4        | SCHRAUBE           | 4931435150  | 4002395859948 |
| 0017 4   | 1        | FLANSCH            | 4931479268  | 4058546385835 |
| 0018 5   | 1        | FLANSCHMUTTER      | 4931441309  | 4002395887699 |
| 0024 6   | 4        | SCHRAUBE           | 4931496932  | 4058546552466 |
| 0025 7   | 1        | KUGELLAGER         | 4931448373  | 4002395250769 |
| 0026 8   | 1        | HALTER             | 4931479269  | 4058546385842 |
| 0027 9   | 2        | SCHRAUBE           | 660165015   | 4002395849826 |
| 0028 10  | 1        | MUTTER             | 671686001   | 4002395824526 |
| 0030 11  | 1        | SCHEIBE            | 4931479270  | 4058546385859 |
| 0032 12  | 1        | KUGELLAGER         | 4931479271  | 4058546385866 |
| 0035 13  | 1        | SCHRAUBE           | 4931436686  | 4002395258260 |
| 0037 14  | 5        | SCHRAUBE           | 660031017   | 4002395825189 |
| 0038 15  | 1        | SCHIEBER           | 4931479272  | 4058546385873 |
| 0039 16  | 1        | FEDER              | 4931479273  | 4058546385880 |
| 0040 17  | 1        | SCHIEBER           | 4931479274  | 4058546385897 |
| 0043 18  | 1        | STAUBKAPPE         | 4931479275  | 4058546385903 |
| 0045 19  | 1        | ZUSATZHANDGRIFF    | 4931435002  | 4002395855919 |
| 0046 20  | 1        | SCHUTZ             | 4931479276  | 4058546385910 |
| 0047 21  | 1        | TRENNSCHUTZHAUBE   | 4931479277  | 4058546385927 |
| 0048 22  | 1        | SCHLUESSEL         | 4931479278  | 4058546385934 |
| 0060 23  | 1        | GETRIEBEPLATTE     | 4931479279  | 4058546385941 |
| 0061 24  | 1        | SPINDELARRETIERUNG | 4931479280  | 4058546385958 |
| 0062 25  | 1        | SPINDEL SATZ       | 4931479281  | 4058546385965 |
| 0064 26  | 1        | ROTOR              | 4931479282  | 4058546385972 |
| 0065 27  | 1        | ELEKTRONIK         | 4931479283  | 4058546385989 |
| 0066 28  | 1        | LEISTUNGSSCHILD    | 4931507934  | 4058546625962 |
| 0067 29  | 1        | GEHAEUSE           | 4931479285  | 4058546386009 |
| 0701 30  | 1        | HD Box Groesse 1   | 4932453385  | 4002395146376 |
| 0702 31  | 1        | EINSATZ            | 4931479286  | 4058546386016 |