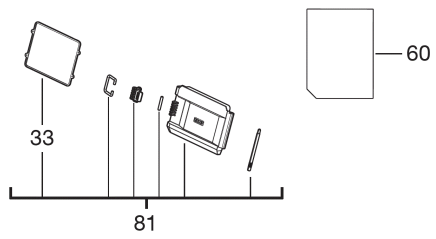
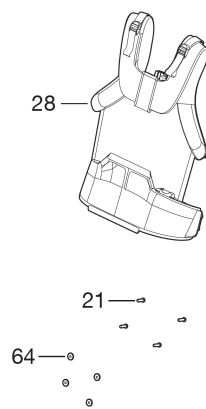
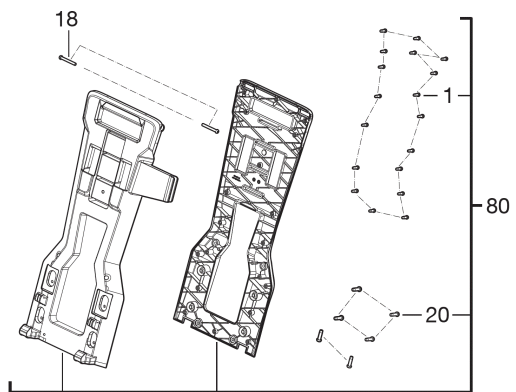
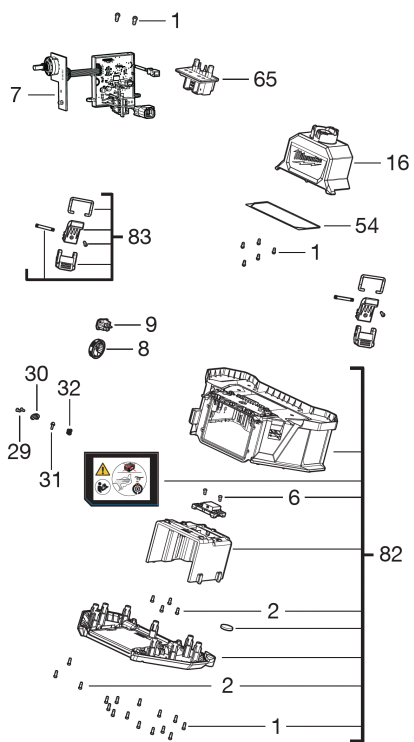


M18BBPFP2-301 Akku-Rucksack-Spruehg. IN2

4933498962 - M18BBPFP2-301 - 4000509500





| Position | Quantity | Description | Part number | EAN |
|----------|----------|---------------------|-------------|---------------|
| 0001 1 | 39 | SCHRAUBE | 4931473361 | 4058546336639 |
| 0002 2 | 7 | SCHRAUBE | 4931447515 | 4002395880539 |
| 0006 3 | 2 | SCHRAUBE | 4931435015 | 4002395856633 |
| 0007 4 | 1 | ELEKTRONIK | 4931508032 | 4058546626945 |
| 0008 5 | 1 | DIAL-MODUL ASSEMBLY | 4931508033 | 4058546626952 |
| 0009 6 | 1 | WIPPENSCHALTER | 4931508034 | 4058546626969 |
| 0016 7 | 1 | ADAPTER | 4931508035 | 4058546626976 |
| 0018 8 | 2 | SCHRAUBE | 4931496479 | 4058546536169 |
| 0020 9 | 6 | SCHRAUBE | 4931465543 | 4058546236434 |
| 0021 10 | 4 | SCHRAUBE | 4931466683 | 4058546279004 |
| 0028 11 | 1 | TRAGSCHLAUFE | 4931508036 | 4058546626983 |
| 0029 12 | 2 | SCHRAUBE | 4931472925 | 4058546332273 |
| 0030 13 | 1 | DIAL-MODUL ASSEMBLY | 4931508037 | 4058546626990 |
| 0031 14 | 1 | KUGEL | 4931508038 | 4058546627003 |
| 0032 15 | 1 | FEDER | 4931508039 | 4058546627010 |
| 0033 16 | 1 | DICHTUNG | 4931508040 | 4058546627027 |
| 0054 17 | 1 | O-RING | 4931508041 | 4058546627034 |
| 0060 18 | 1 | LEISTUNGSSCHILD | 4931508042 | 4058546627041 |
| 0064 19 | 4 | SCHEIBE | 4931480315 | 4058546423308 |
| 0065 20 | 1 | LEITUNG | 4931508043 | 4058546627058 |
| 0080 21 | 1 | GESTELL | 4931508044 | 4058546627065 |
| 0081 22 | 1 | TUER | 4931508045 | 4058546627072 |
| 0082 23 | 1 | MOTORGEHAEUSE | 4931508046 | 4058546627089 |
| 0083 24 | 2 | RIEGEL | 4931508047 | 4058546627096 |