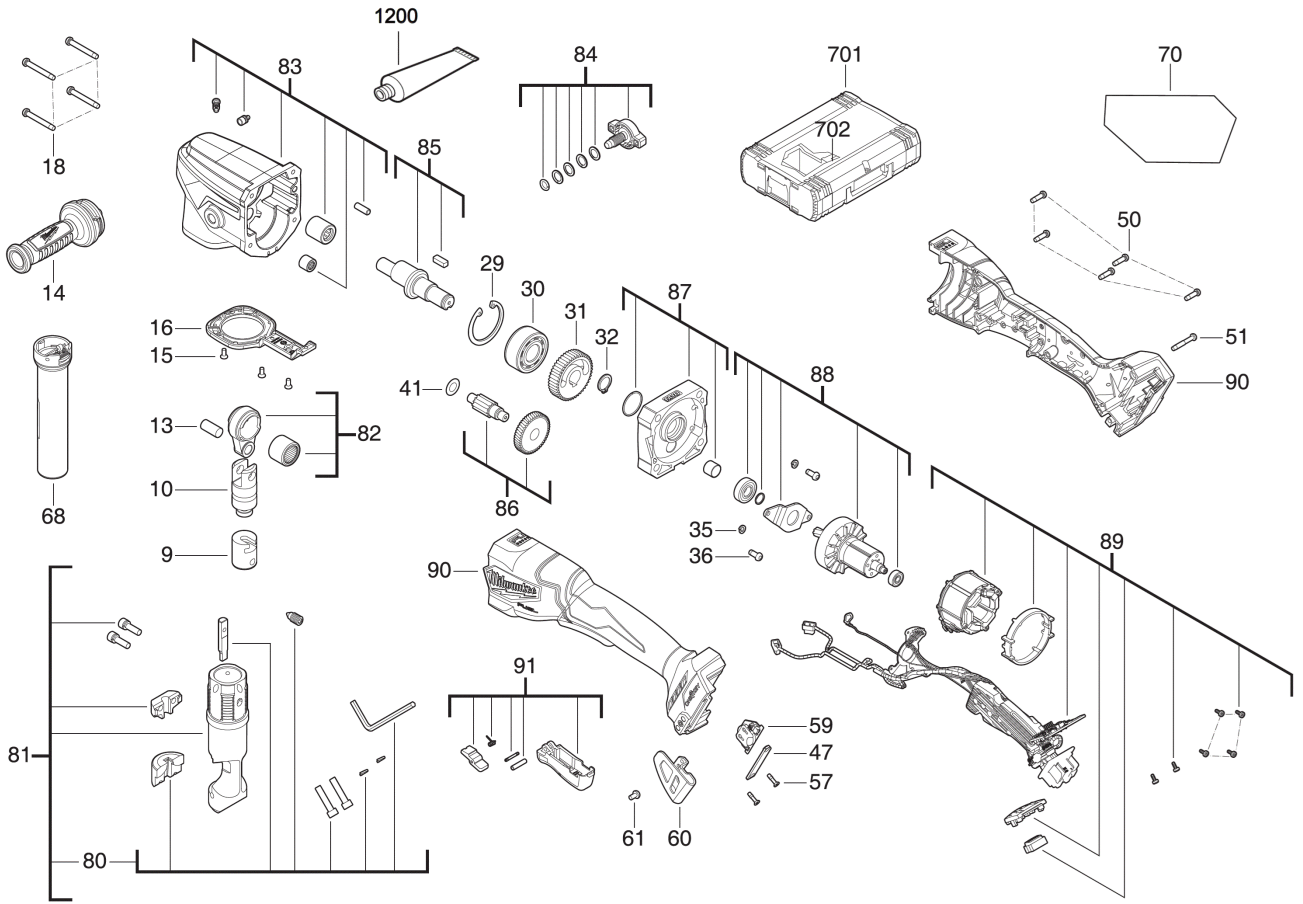


# M18FNB35-502X Akku-Knabber IN2

4933498983 - M18FNB35-502X - 4000509600





| Position | Quantity | Description          | Part number | EAN           |
|----------|----------|----------------------|-------------|---------------|
| 0009 1   | 1        | HALTER               | 4931507761  | 4058546602727 |
| 0010 2   | 1        | KOLBEN               | 4931507762  | 4058546602734 |
| 0013 3   | 1        | STIFT                | 4931507763  | 4058546602741 |
| 0014 4   | 1        | ZUSATZHANDGRIFF      | 4931435002  | 4002395855919 |
| 0015 5   | 3        | SCHRAUBE             | 4931507764  | 4058546602758 |
| 0016 6   | 1        | DECKEL               | 4931507765  | 4058546602765 |
| 0018 7   | 4        | SCHRAUBE             | 4931465325  | 4058546234256 |
| 0029 8   | 1        | RETAINING RING       | 4931507766  | 4058546602772 |
| 0030 9   | 1        | KUGELLAGER           | 4931507767  | 4058546602789 |
| 0031 10  | 1        | ZAHNRAD              | 4931507768  | 4058546602796 |
| 0032 11  | 1        | RETAINING RING       | 4931465452  | 4058546235529 |
| 0035 12  | 2        | SICHERUNGSRING       | 680866003   | 4002395823895 |
| 0036 13  | 2        | SCHRAUBE             | 4931473732  | 4058546356088 |
| 0041 14  | 1        | SCHEIBE              | 4931507769  | 4058546602802 |
| 0047 15  | 1        | GEHAEUSEDECKEL       | 4931506780  | 4058546560942 |
| 0050 16  | 5        | SCHRAUBE             | 4931496890  | 4058546540272 |
| 0051 17  | 1        | SCHRAUBE             | 4931496283  | 4058546534202 |
| 0057 18  | 2        | SCHRAUBE             | 4931496273  | 4058546534103 |
| 0059 19  | 1        | MUeNZZELLEN PLATINE  | 4931507770  | 4058546602819 |
| 0060 20  | 1        | HAKEN                | 4931436134  | 4002395879427 |
| 0061 21  | 1        | SCHRAUBE             | 4931465986  | 4058546272036 |
| 0068 22  | 1        | TASCHE               | 4931507771  | 4058546602826 |
| 0070 23  | 1        | LEISTUNGSSCHILD      | 4931507772  | 4058546602833 |
| 0080 24  | 1        | SERVICE-SATZ         | 4931507773  | 4058546602840 |
| 0081 25  | 1        | HALTER               | 4931507774  | 4058546602857 |
| 0082 26  | 1        | STANGE               | 4931507775  | 4058546602864 |
| 0083 27  | 1        | GETRIEBEPLATTE       | 4931507776  | 4058546602871 |
| 0084 28  | 1        | SERVICE-SATZ         | 4931507777  | 4058546602888 |
| 0085 29  | 1        | EXZENTERACHSE        | 4931507778  | 4058546602895 |
| 0086 30  | 1        | SCHAFT               | 4931507779  | 4058546602901 |
| 0087 31  | 1        | ABSCHLUSSKAPPE       | 4931507780  | 4058546602918 |
| 0088 32  | 1        | ABSCHLUSSKAPPE       | 4931507781  | 4058546602925 |
| 0089 33  | 1        | ELEKTRONIK           | 4931507782  | 4058546602932 |
| 0090 34  | 1        | GRIFF                | 4931507783  | 4058546602949 |
| 0091 35  | 1        | DRUECKER             | 4931507784  | 4058546602956 |
| 0701 36  | 1        | HD Box Groesse 2 XXX | 4932498753  | 4058546526221 |
| 0702 37  | 1        | EINSATZ              | 4931507785  | 4058546602963 |
| 1200 38  | 1        | FETT                 | 49084220    | 4002395786978 |